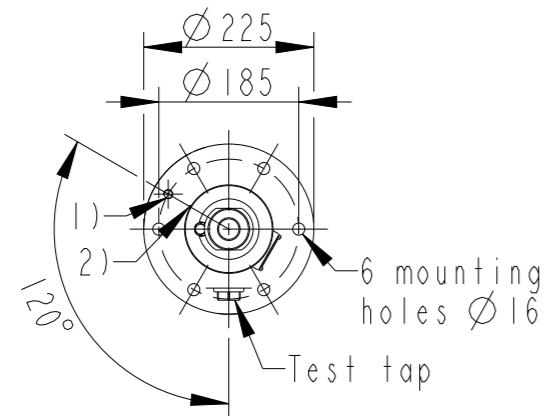
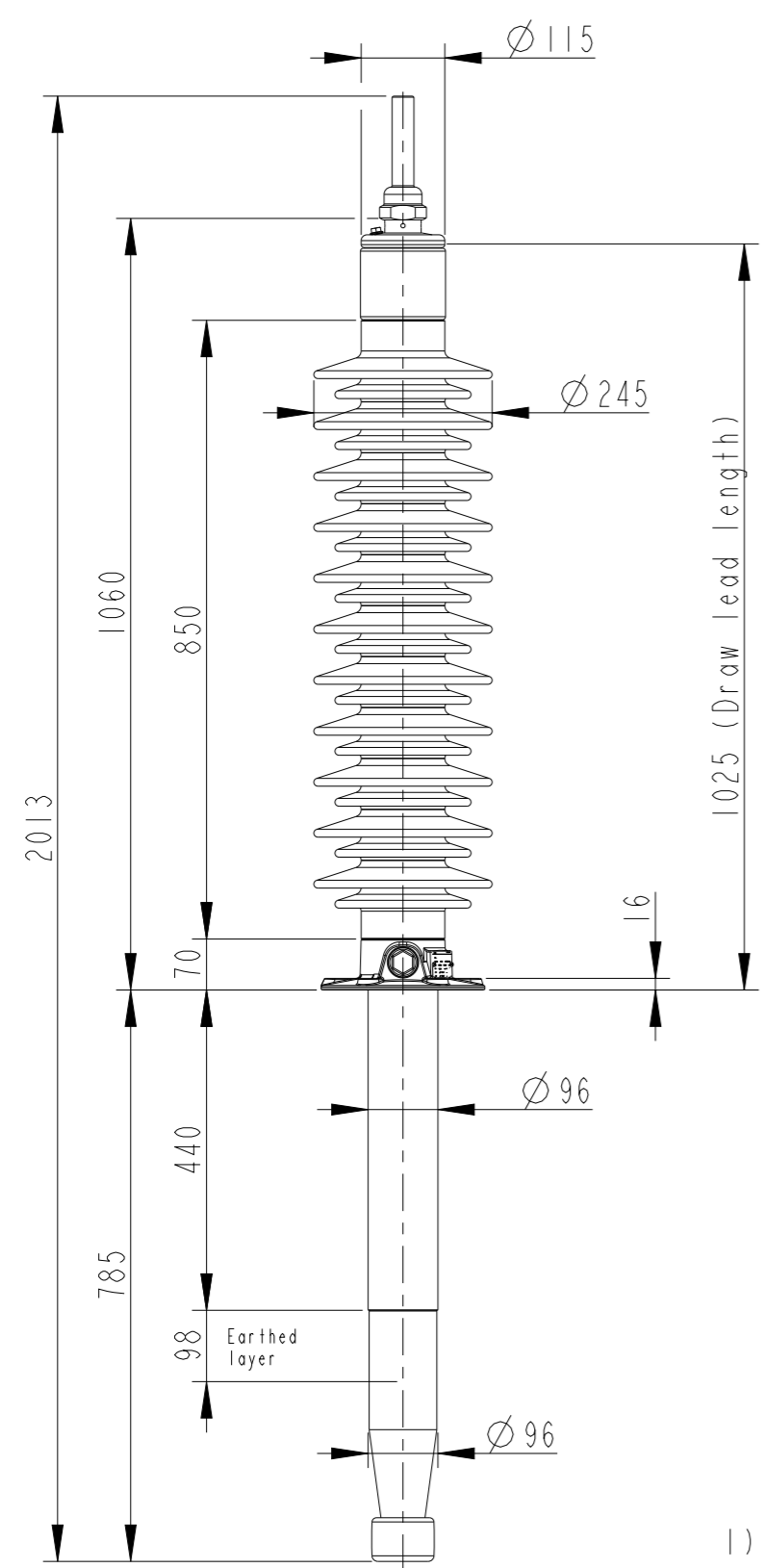


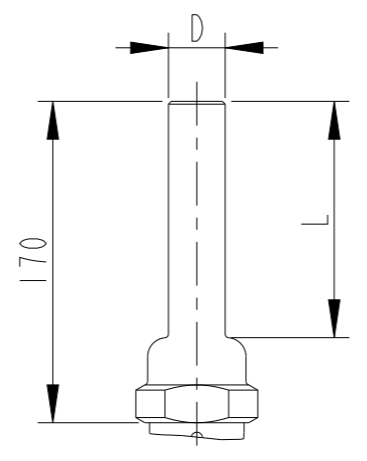
This document is issued by means of a computerized system. The digitally stored original is electronically approved. The approved document has a date entered in the "Approved"-field. A manual signature is not required.

We reserve all rights in this document and in the information contained therein. Reproduction, use or disclosure to third parties without express authority is strictly forbidden.

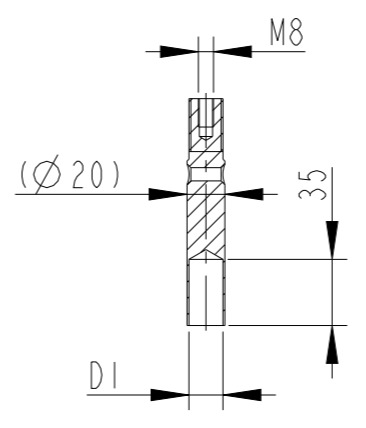
Revision	Revision text
D	Phase to Ground Voltage changed from 90 to 71kV



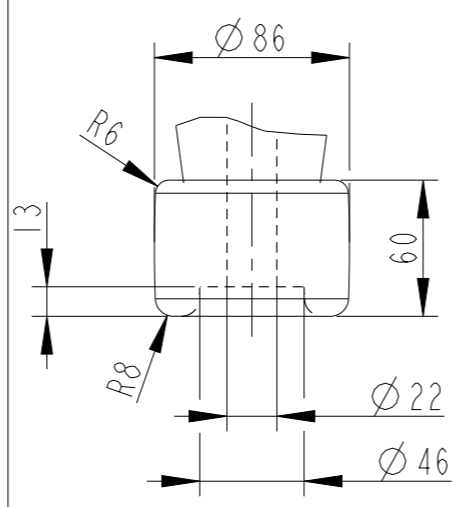
OUTER TERMINAL



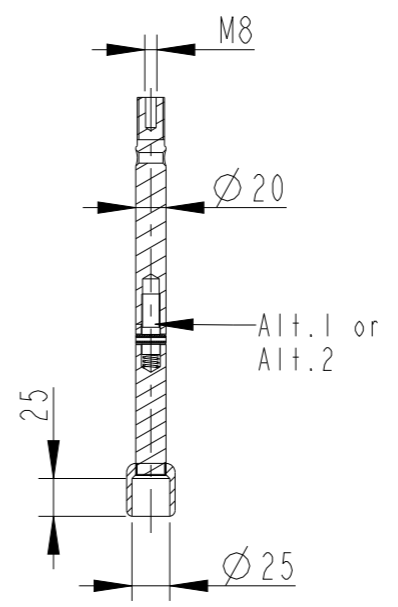
INNER TERMINAL FOR STRANDED CABLE



END SHIELD



SOLID ROD CONNECTOR



The solid rod can be divided either:
 Alt.1: 20mm below the bushing flange or
 Alt.2: 20mm below the upper end of the bottom porcelain

- 1) M12 (For Earthing)
- 2) Ø4 Oil connection hole (only valid for horizontal mounting)

Bushing Data:

Rated Voltage	123	kV
Phase to Ground Voltage	Δ 71	kV
Dry Lightning Impulse 1,2/50µs	450	kV
Wet power frequency AC	185	kV
Routine test 1min dry 50Hz	195	kV
Rated Current	800	A
Creepage Distance	2720±80	mm
Creepage Distance Protected	1060	mm
Mass	55	kg

Ordering Data:

BUSHING	COLOUR AIR INSULATOR	
LF123053-K	BROWN	
LF123053-L	LIGHT GREY	
LF123053-HK	BROWN	Horizontal 45°-90°
LF123053-HL	LIGHT GREY	Horizontal 45°-90°
OUTER TERMINAL	Material D L	
LF 170 002-A	Cu alloy, Ø 30,125	
LF 170 001-A	Al, Ø 30,125	
OTHER TYPES ON REQUEST		
INNER TERMINAL FOR STRANDED CABLE		
For brazing	Conductor area	D1
LF 170 011-S	up to 150mm ²	Ø 18
LF 170 011-U	Undrilled with pilot hole	Ø 5
For crimping or brazing	Conductor area	D1
LF 170 010-M	50mm ²	Ø 11
LF 170 010-N	70mm ²	Ø 13
LF 170 010-L	95mm ²	Ø 15
SOLID ROD CONNECTOR	Material	
LF 170 019 -BP for Alt.1	Cu	
LF 170 019 -BR for Alt.2	Cu	

ABB		Ludvika, Sweden	
No.	Um	kV Ir	A 50/60 Hz
○	BIL	kV SIL	kV AC
	M	kg L	mm ✓
	C1	pF Tan δ	x
	C2	pF Tan δ	x

Created by Jacob Stefansson	Reviewed by Joakim Persson	Approved by Natalia Gutman		
Approved 2019-11-06	Document Kind Outline Drawing	Based on doc.id	Work order id	Project id
Company ABB Technology Ltd	Title, Supplementary title GOB 450-800-0.5 WITHOUT OIL LEVEL GAUGE STD END SHIELD			
Responsible Department SEABB-9AAE300824	Document id 2751369-143	Status Released	Revision D	Iteration 1/1
ABB				