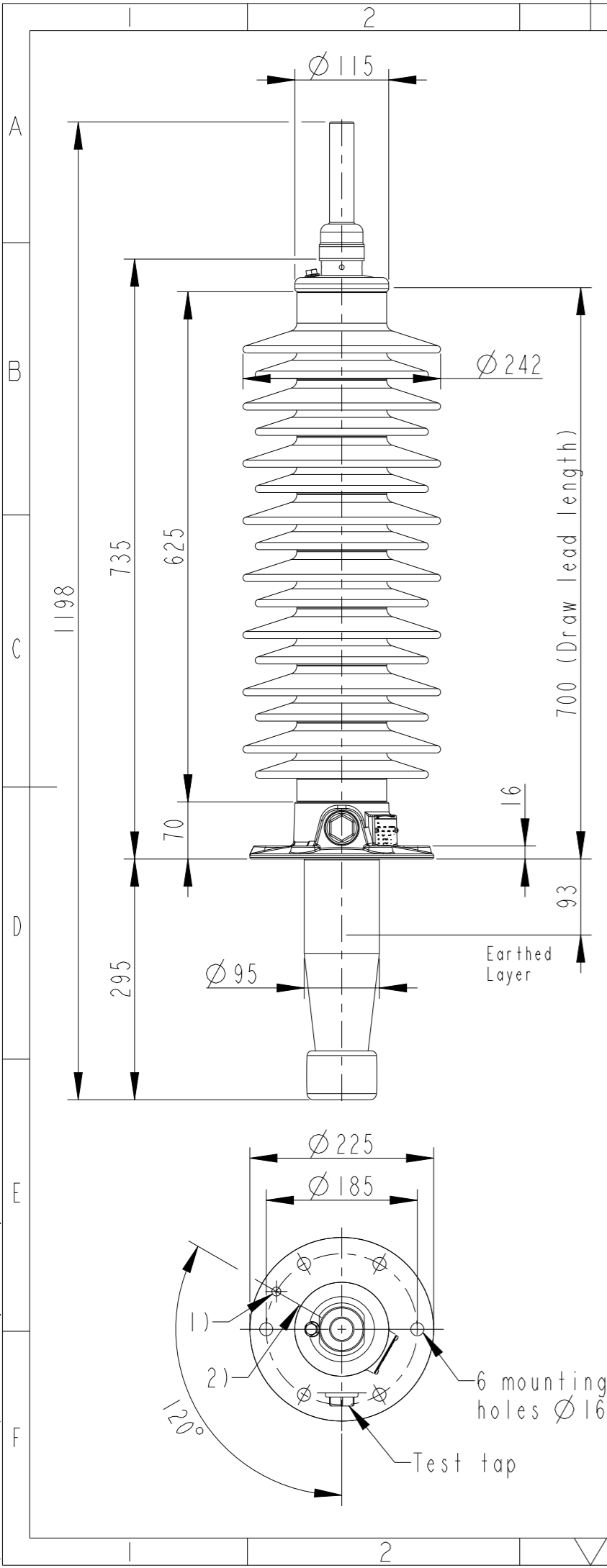
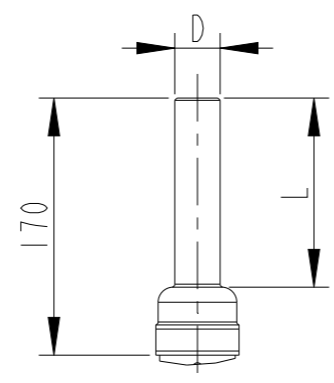


This document is issued by means of a computerized system. The digitally stored original is electronically approved. The approved document has a date entered in the "Approved"-field. A manual signature is not required.

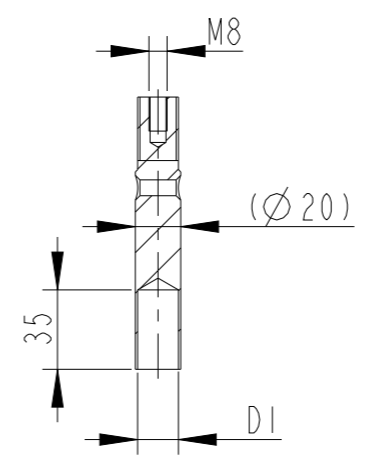
We reserve all rights in this document and in the information contained therein. Reproduction, use or disclosure to third parties without express authority is strictly forbidden.



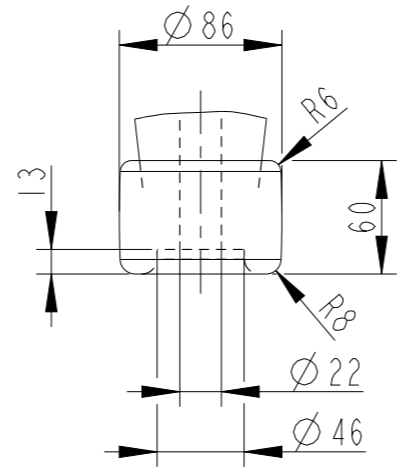
OUTER TERMINAL



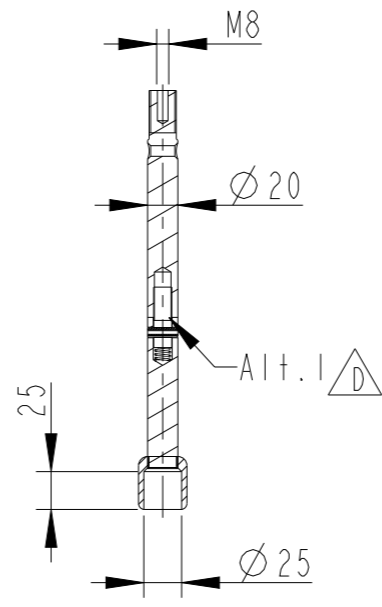
INNER TERMINAL FOR STRANDED CABLE



END SHIELD



SOLID ROD CONNECTOR



The solid rod can be divided either:
Alt.1: 20mm below the bushing flange

Revision	Revision text
D	Removed Alt.2, Changed the Phase to ground voltage from 72.5 to 42kV

Bushing Data:

Rated Voltage	72.5	kV
Phase to Ground Voltage	Δ 42	kV
Dry Lightning Impulse 1,2/50µs	350	kV
Wet power frequency AC	140	kV
Routine test Imin dry 50Hz	160	kV
Rated Current	800	A
Creepage Distance	2240±50	mm
Creepage Distance Protected	875	mm
Mass	35	kg

Ordering Data:

BUSHING	COLOUR AIR INSULATOR
LF123025-K	BROWN
LF123025-L	LIGHT GREY
LF123025-HK	BROWN Horizontal 45°-90°
LF123025-HL	LIGHT GREY Horizontal 45°-90°
OUTER TERMINAL	Material D L
LF 170 002-A	Cu alloy, Ø30, 125
LF 170 001-A	Al, Ø30, 125
OTHER TYPES ON REQUEST	
INNER TERMINAL FOR STRANDED CABLE	
For brazing	Conductor area D1
LF 170 011-S	up to 150mm ² Ø18
LF 170 011-U	Undrilled with pilot hole Ø5
For crimping or brazing	Conductor area D1
LF 170 010-M	50mm ² Ø11
LF 170 010-N	70mm ² Ø13
LF 170 010-L	95mm ² Ø15
SOLID ROD CONNECTOR	Material
LF 170 019 -F for Alt.1	Cu

- 1) M12 (For Earthing)
- 2) Ø4 Oil connection hole (only valid for horizontal mounting)

ABB		Ludvika, Sweden	
No.			
Um	kV Ir	A 50/60 Hz	
BIL	kV SIL	kV AC	kV
M	kg L	mm	✓
C1	pF Tan δ		x
C2	pF Tan δ		x

Approved 2020-01-08	Document Kind Outline Drawing	Based on doc. id	Work order id	Project id
Company ABB Technology Ltd	Title, Supplementary title GOB 325-800-0 WITHOUT OIL LEVEL GAUGE STD END SHIELD			
Responsible Department SEABB-9AAE300824	Document id 2751369-121	Status Released	Revision D	Iteration 1/1
ABB				