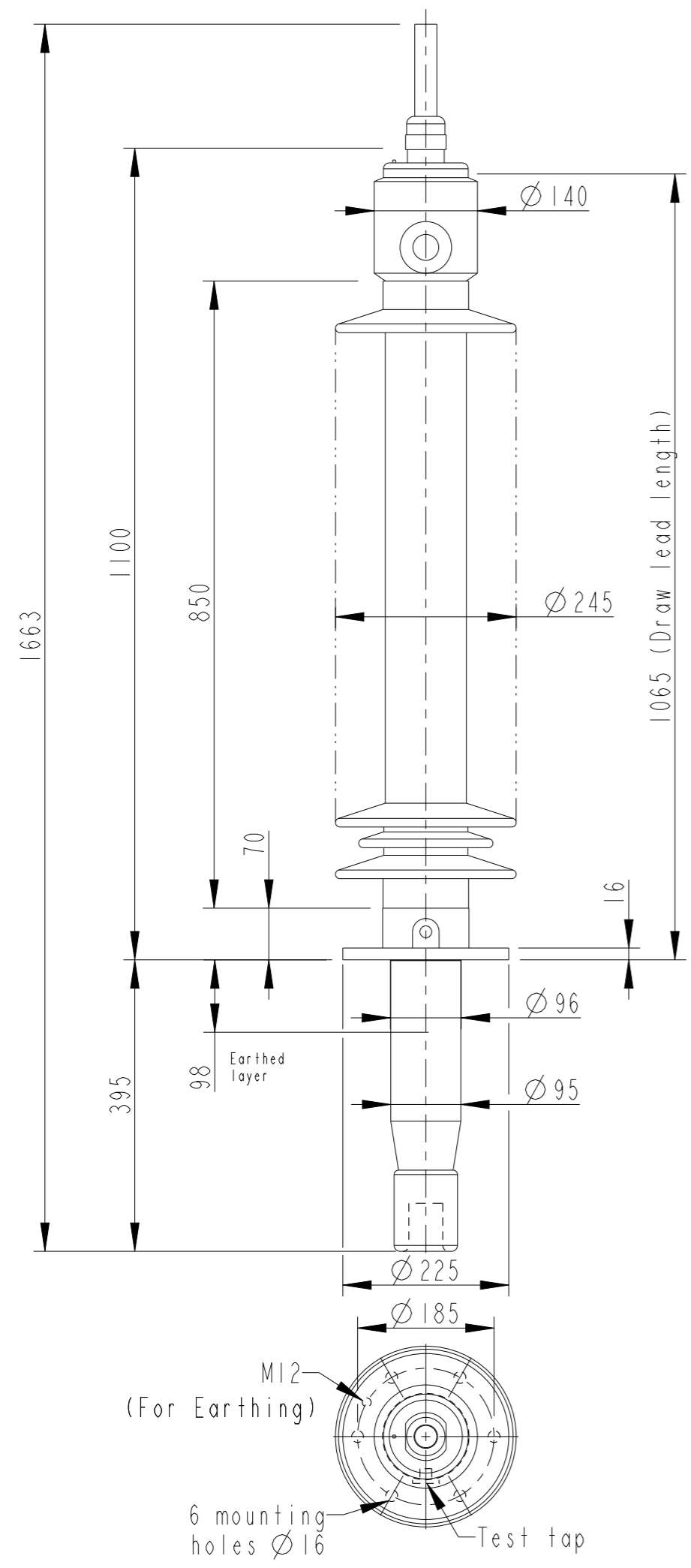
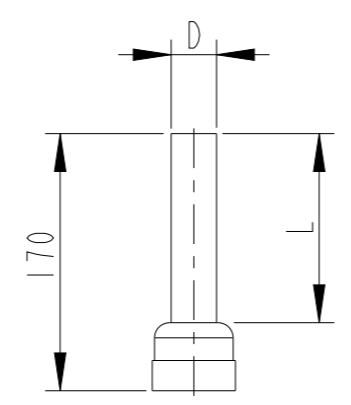


This document is issued by means of a computerized system. The digitally stored original is electronically approved. The approved document has a date entered in the "Approved"-field. A manual signature is not required.

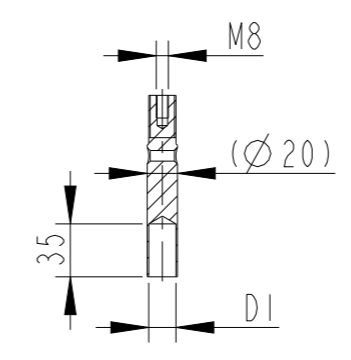
We reserve all rights in this document and in the information contained therein. Reproduction, use or disclosure to third parties without express authority is strictly forbidden.



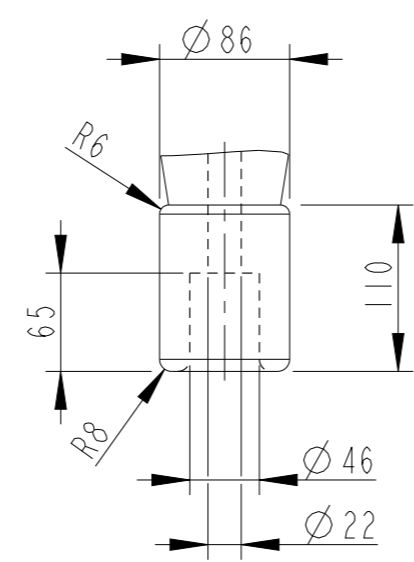
OUTER TERMINAL



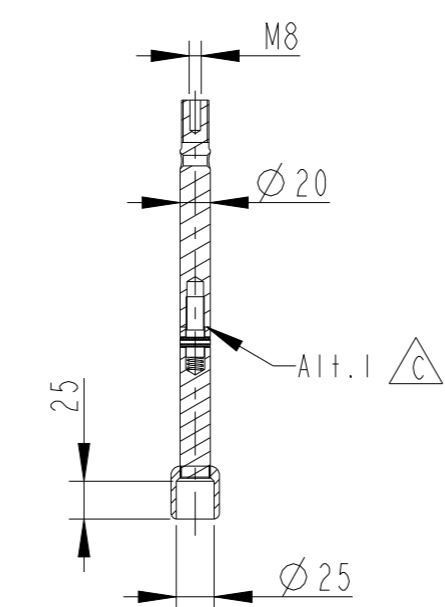
INNER TERMINAL FOR STRANDED CABLE



END SHIELD



SOLID ROD CONNECTOR



The solid rod can be divided either:
Alt.1: 20mm below the bushing flange

Note:
Mounting inclination 0-45°.
For inclined and horizontal mounting,
see Installation and Maintenance Guide.

Revision Revision text
C Removed Alt.2, Changed the Phase to ground voltage from 90 to 71kV

Bushing Data:

Rated Voltage	123	kV
Phase to Ground Voltage	$\triangle C$ 71	kV
Dry Lightning Impulse 1,2/50 μ s	450	kV
Wet power frequency AC	185	kV
Routine test 1min dry 50Hz	195	kV
Rated Current	800	A
Creepage Distance	2720 \pm 80	mm
Creepage Distance Protected	1060	mm
Mass	43	kg

Ordering Data:

BUSHING	COLOUR AIR INSULATOR
LF123145-M	BROWN
-N	LIGHT GREY
OUTER TERMINAL	Material D L
LF 170 002-A	Cu alloy, $\varnothing 30$, 125
LF 170 001-A	Al, $\varnothing 30$, 125
OTHER TYPES ON REQUEST	
INNER TERMINAL FOR STRANDED CABLE	
For brazing	Conductor area D1
LF 170 011-S	up to 150mm ² $\varnothing 18$
LF 170 011-U	Undrilled with pilot hole $\varnothing 5$
For crimping or brazing	Conductor area D1
LF 170 010-M	50mm ² $\varnothing 11$
LF 170 010-N	70mm ² $\varnothing 13$
LF 170 010-L	95mm ² $\varnothing 15$
SOLID ROD CONNECTOR	Material
LF 170 019 -BS for Alt.1	Cu

ABB		Ludvika, Sweden	
No.	Um	kV Ir	A 50/60 Hz
BL	kV SL	kV AC	kV
M	kg L	mm	✓
C1	pF	Tan δ	x
C2	pF	Tan δ	x

Created by Balaji.G.R	Reviewed by Joakim Persson	Approved by Natalia Gutman
Approved 2020-01-14	Document Kind Outline Drawing	Based on doc.id Work order id Project id
Company ABB Technology Ltd	Title, Supplementary title GOB 450-800-0 WITH OIL LEVEL GAUGE LONG END SHIELD	
Responsible Department SEABB-9AAE300824	Document id 2751369-200	Status Released
Revision C		Iteration 1/1