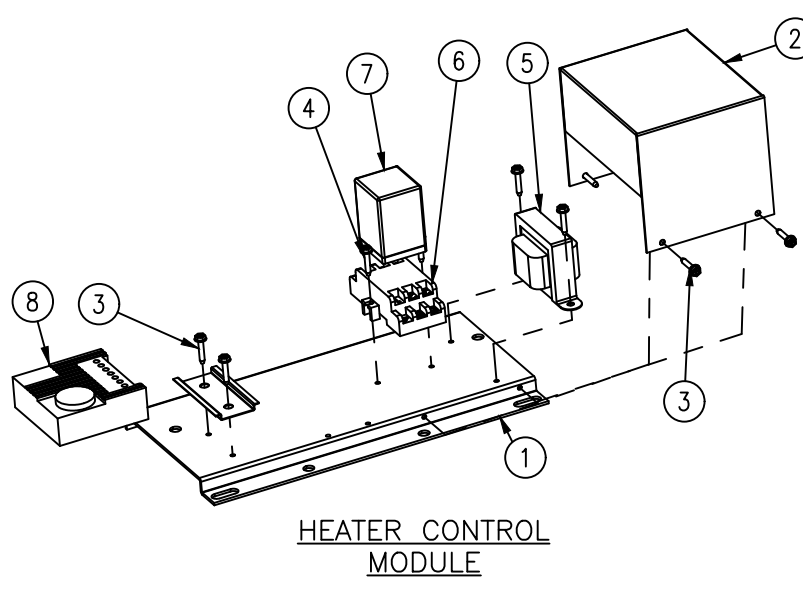




REVISIONS			
REV.	DESCRIPTION	DATE	APPROVED
3	C075551	UPDATED DWG 08/29/19	YP MAS

BILL OF MATERIALS			
ITEM	PART NO.	DESCRIPTION	HT/TH
1	50H-1036	BRACKET	1
2	50H-1037	COVER	1
3	Y810142	6-32 X .50 HEX WASHER HD TAPPING SCREW	8
4	HMH-177A	6-32 X .75 HEX WASHER HD TAPPING SCREW	2
5	K-3026	480/120 V, TRANSFORMER, 10 VA	1
	K-3025	240/120 V, TRANSFORMER, 10 VA	
	K-3106	208/120 V, TRANSFORMER, 10 VA	
6	420HA	RELAY BASE	1
7	420HPL022J	RELAY, 120VAC, 2-POLE, LED OPT	1
8	Y900027	ENCLOSURE THERMOSTAT	1
9	PS-7307	STRIP HEATER, 150W, 240V (HTR2)	AS PER BOM
10	Y740033	WIRE 14AWG BLACK TYPE SRML AP	AS NEEDED
11	WMW-403	BLACK 18GA PVC WIRE	AS NEEDED
12	HMH-679	1/4-20 X 2.00 FULL THREAD HEX	3
13	HMH-76	1/4 X .625 PLAIN WASHER	11
14	HMH-67	1/4 HELICAL SPRING LOCK WASHER	9
15	HMH-20A	1/4-20 HEAVY HEX JAM NUT	20
16	RA753	RING TONGUE, M12, 1/2" , 16-18 AWG RED	2
17	RA18-38	RING TONGUE, M10, 3/8" , 18 AWG RED	2
18	1-480706-0	PIN HOUSING 9 PT	1
19	1-480707-0	SOCKET RECEPTACLE 9 PT	1
20	350918-3	PIN MAKE	2
21	350919-3	SOCKET FEMALE	2
22	PS-5085	POLARIZATION KEY	1
23	1993100-0.250	1/4 STAR WASHER	1
24	RB14-6F	FORK TERMINAL #6 22-16AWG	8
25	F2032	FERRULE 16	2
26	F8007	FERRULE 2X16	1

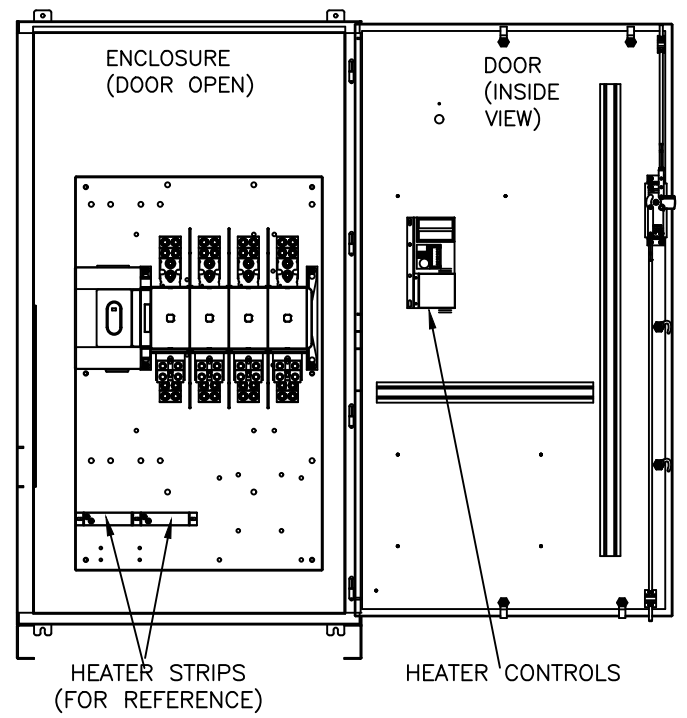


PART OF J12 PLUG

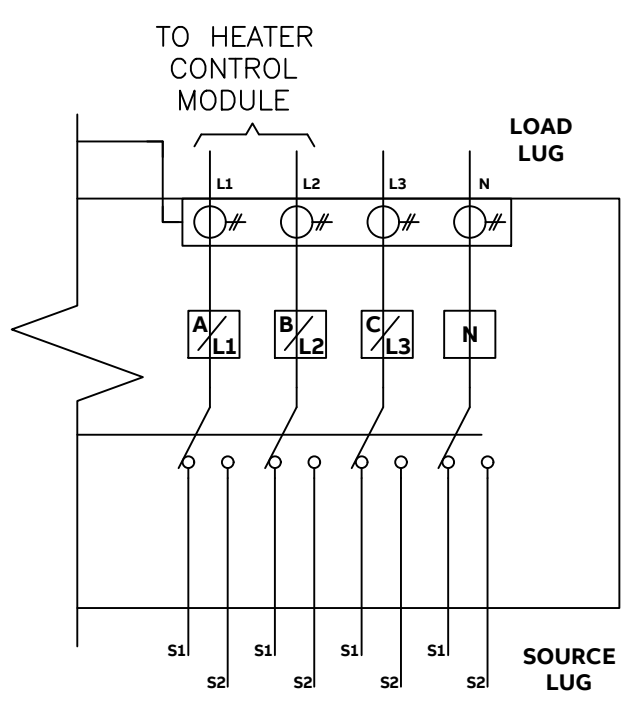
NOTE:
 1. USE ITEM # 13 (QTY-2), 15 (QTY-2) & 23 (QTY-1) TO GROUND HEATER CONTROL MODULE. USE 86 IN.LB TORQUE TO SECURE THE ASSEMBLY

COMPONENT LAYOUT :

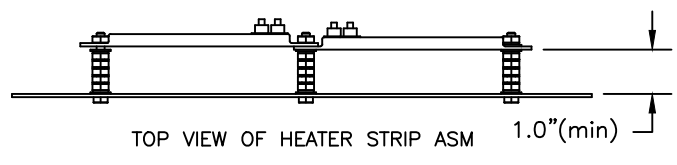
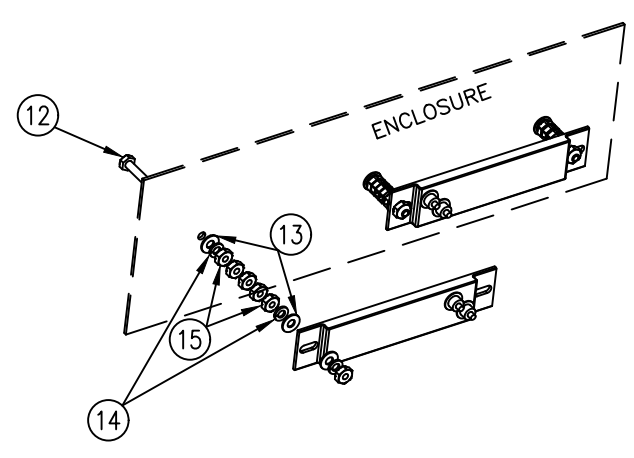
CABINET TYPE : NEMA-3R,4,12



POWER PANEL LAYOUT:



HEATER STRIP ASSEMBLY DETAILS :



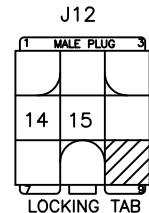
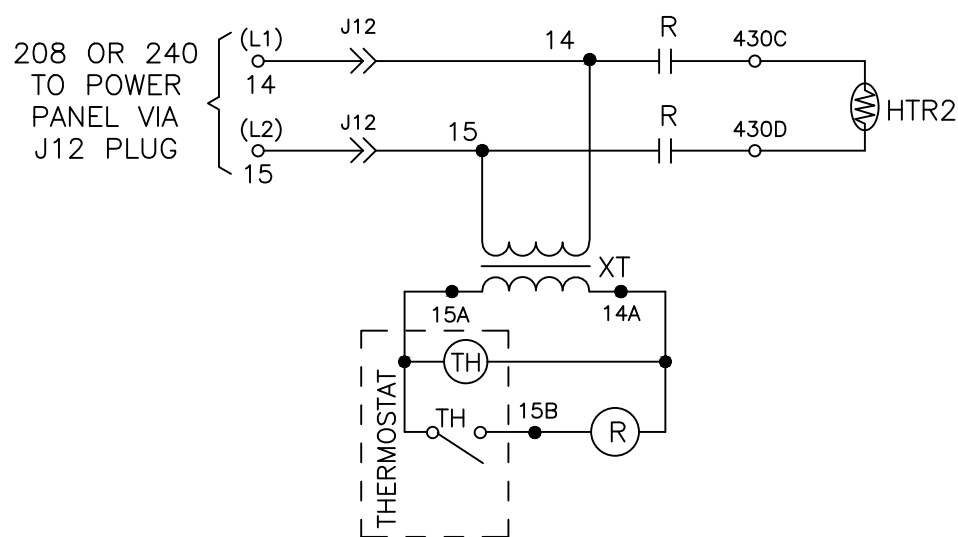
NOTE:
 1. QTY OF ITEM #9 (HEATER STRIPS) WILL BE BASED ON ATS VOLTAGE
 2. TORQUE HEATER STRIPS MOUNTING HARDWARE TO 86 IN.LB.
 3. USE ITEM #10 (WIRE-Y740033) FOR HEATER WIRING (430C, 430D TO HEATER STRIP(S)).
 4. ITEM #16 & 17 ARE GOING TO BE MOUNTED ON THE LOAD LUG ON PHASE A AND PHASE B OF POWER PANEL TO GET LINE VOLTAGE THROUGH J12 PLUG.

ABB PROPRIETARY AND CONFIDENTIAL INFORMATION The information contained in the document has to be kept strictly confidential. Any unauthorized use, reproduction, distribution or disclosure to third parties is strictly forbidden. ABB reserves all rights regarding intellectual Property Rights. Copyright 2018 ABB. All rights reserved.	FOR ADDITIONAL INFO REFER TO APPLIED PRACTICES UNLESS OTHERWISE SPECIFIED DIMENSIONS ARE IN INCHES	SIGNATURES MODEL MAS DATE 03/12/19		
	TOLERANCES ON: 2 PL. DECIMALS ± .020 3 PL. DECIMALS ± .005 ANGLES ± 1° FRACTIONS ± 1/64	CHECKED ENGRG YP DATE 03/12/19 MFG QUALITY ISSUED		TITLE HEATER & THERMOSTAT HT & TH
	FINISH ✓	DRAWING FILE: 70R-2010.dwg MODEL / ASSEMBLY FILE: ZTG(D) 30-1200AMP		FIRST MADE FOR: ZTG(D) 30-1200AMP SIZE B CAGE CODE DWG NO 70R-2010
	AutoCad Generated	# CTQs CRITICAL TO QUALITY CHARACTERISTIC		SCALE: NA SHEET 1 OF 2



REVISIONS			
REV.	DESCRIPTION	DATE	APPROVED
3	C075551	UPDATED DWG	08/29/19 YP MAS

FIG.B (208, 240, OR 277 VAC SYSTEMS)



POWER (BYPASS) PANEL TO AUXILIARY CONTROL PANEL

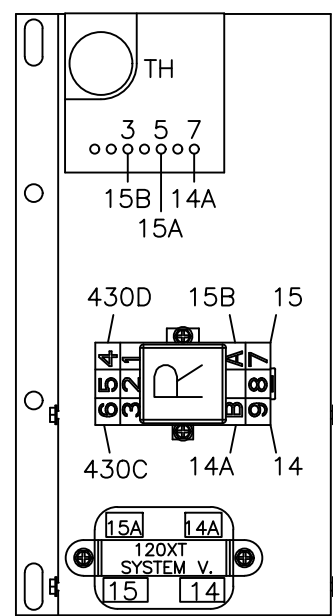
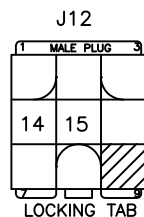
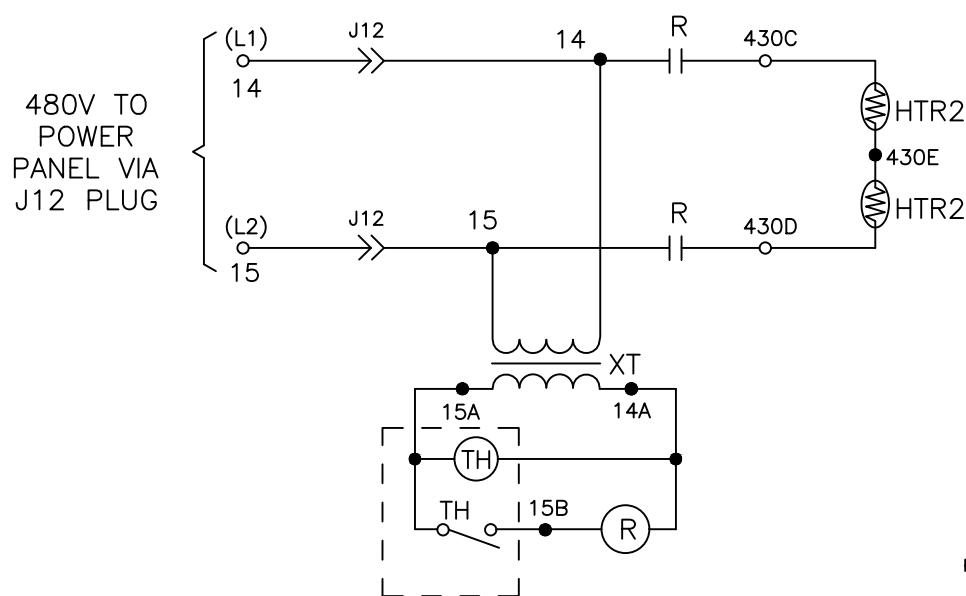
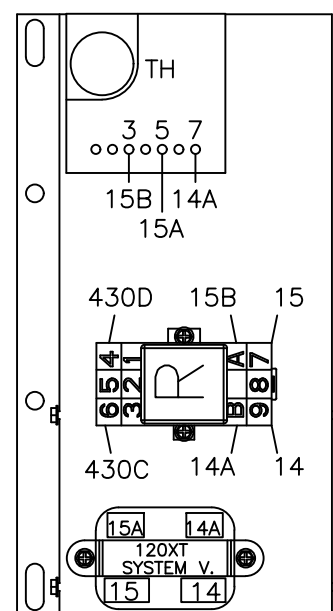


FIG.C (380 OR 480 VAC SYSTEMS)



POWER (BYPASS) PANEL TO AUXILIARY CONTROL PANEL



OPERATION:

Thermostat(TH): When temperature in cabinet drops below thermostat setpoint, heater is turned "ON". Above set point, heater turns "OFF".

NOTES:

1. Thermostat factory set at 10°C (50°F) unless otherwise specified.

<p>ABB PROPRIETARY AND CONFIDENTIAL INFORMATION</p> <p>The information contained in the document has to be kept strictly confidential. Any unauthorized use, reproduction, distribution or disclosure to third parties is strictly forbidden.</p> <p>ABB reserves all rights regarding intellectual Property Rights.</p> <p>Copyright 2018 ABB. All rights reserved.</p>	<p>FOR ADDITIONAL INFO REFER TO APPLIED PRACTICES</p> <p>UNLESS OTHERWISE SPECIFIED DIMENSIONS ARE IN INCHES</p> <p>TOLERANCES ON:</p> <p>2 PL. DECIMALS ± .020</p> <p>3 PL. DECIMALS ± .005</p> <p>ANGLES ± 1°</p> <p>FRACTIONS ± 1/64</p> <p>FINISH ✓</p>	<p>SIGNATURES</p> <p>MODEL YP</p> <p>DATE 03/12/19</p> <p>CHECKED</p> <p>ENGRG YP</p> <p>03/12/19</p> <p>MFG</p> <p>QUALITY</p> <p>ISSUED</p>	<p>TITLE</p> <p>HEATER & THERMOSTAT HT & TH</p>
	<p>THIRD ANGLE PROJECTION</p>	<p>DRAWING FILE: 70r-2010.dwg</p> <p>MODEL / ASSEMBLY FILE: ZTG(D) 30-1200AMP</p> <p># CTQs</p>	<p>FIRST MADE FOR: ZTG(D) 30-1200AMP</p> <p>SIZE B</p> <p>CAGE CODE</p> <p>DWG NO 70R-2010</p>

