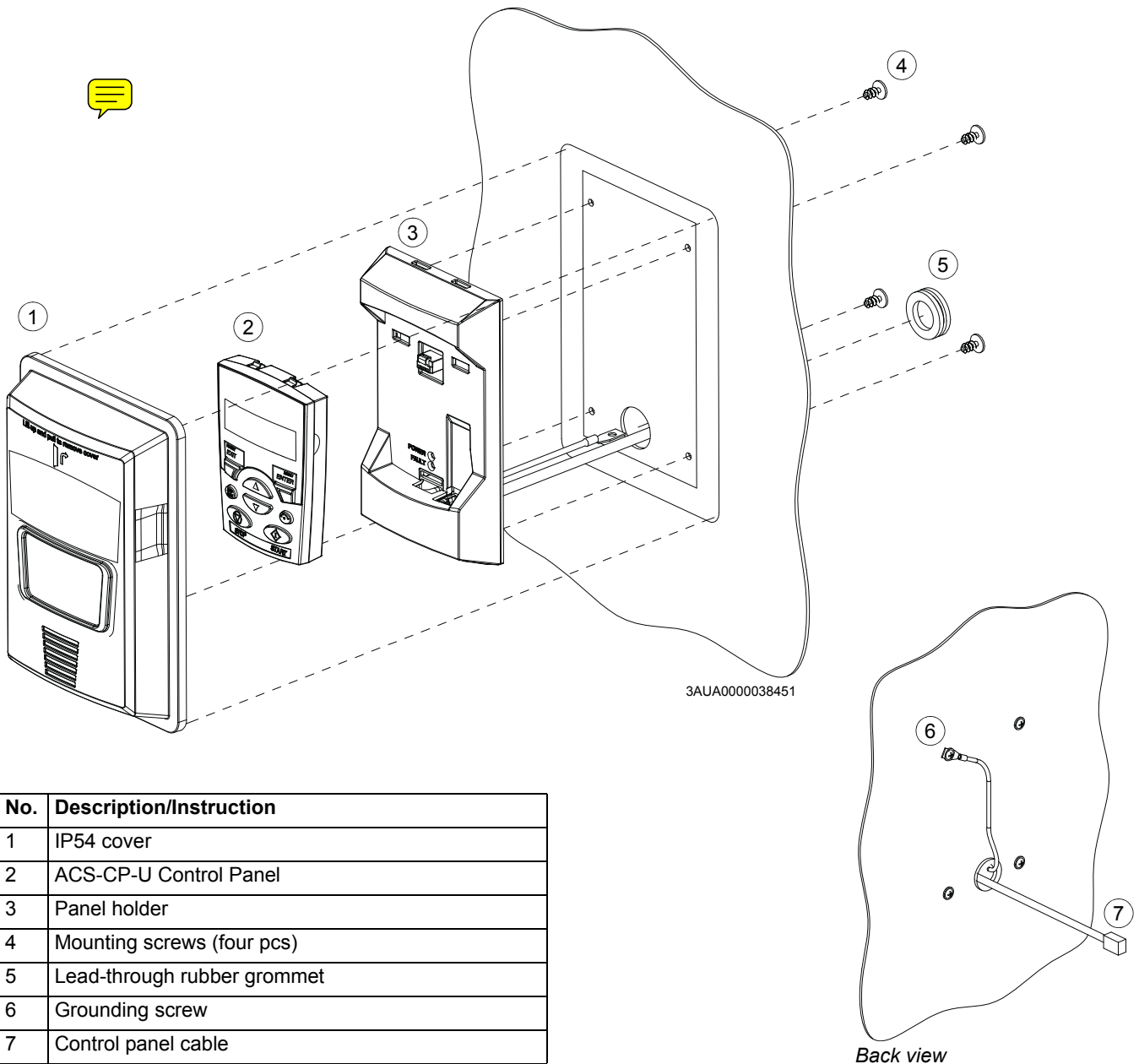


Installation guide

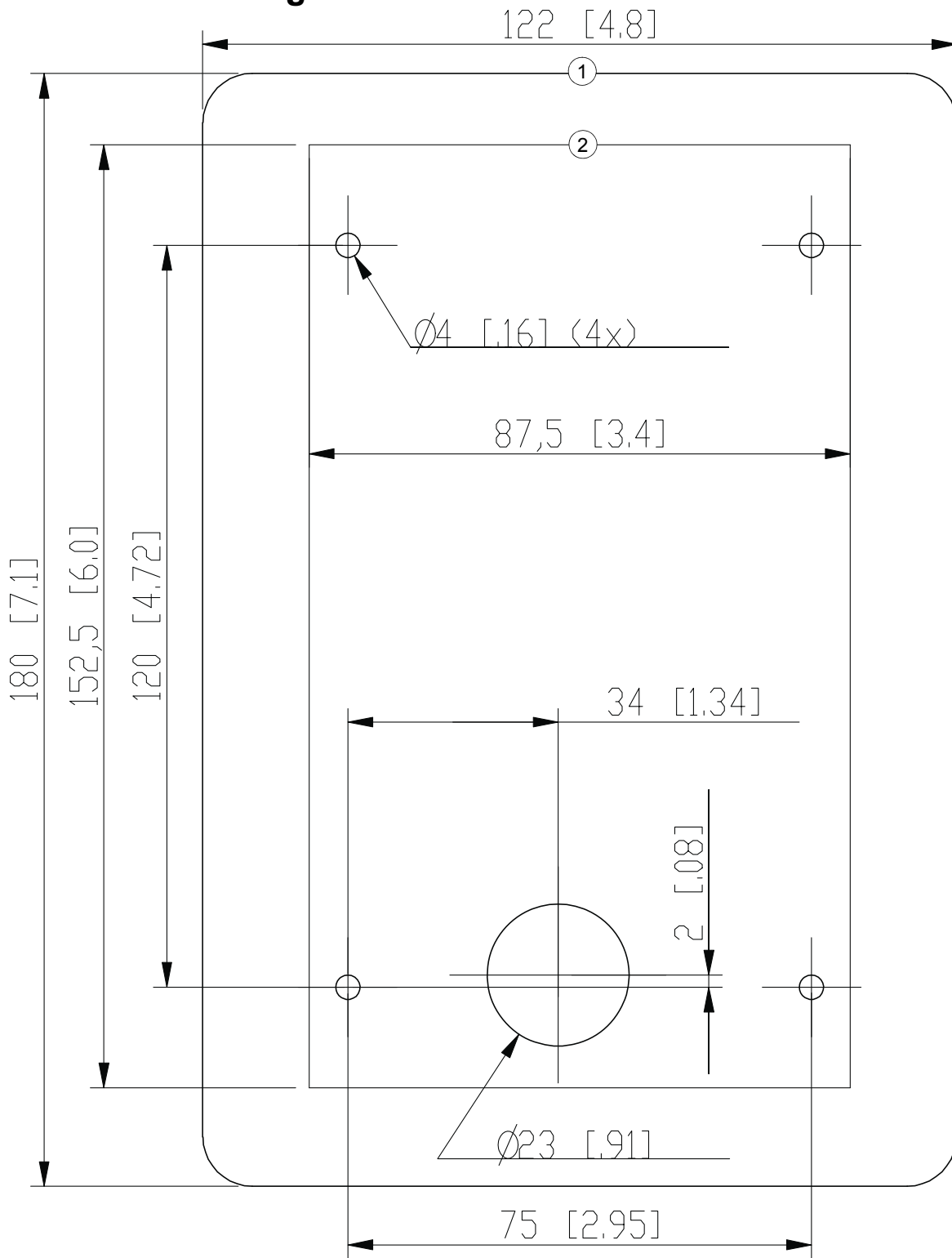
ACS-CP-U control panel IP54 mounting platform kit

Installation instruction

1. Drill holes to the installation plate. The dimensions are shown on the next page.
2. Insert the lead-through rubber grommet to the mounting plate hole.
3. Fasten the control panel holder with the screws included in the kit. Tightening torque: 1.2 N·m
4. Ground the cable lug of the grounding cable with a fastening screw to an unpainted point.
5. Insert the plug to connector X7 in the control unit.



Dimension drawing



3AUA0000049072 Rev B EN 2014-11-19

3AUA0000038451

No.	Description
1	Outline of IP54 cover
2	Outline of control panel holder

Depth of the IP54 cover: 35 [1.36].