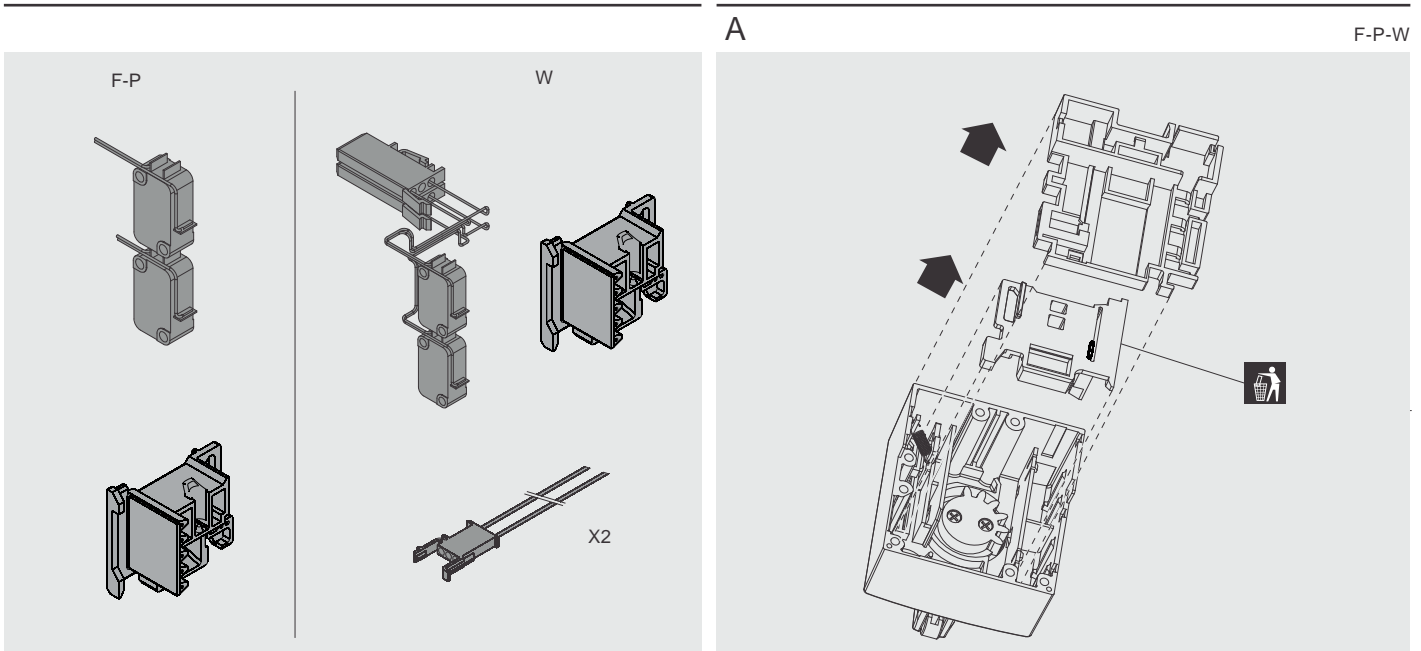
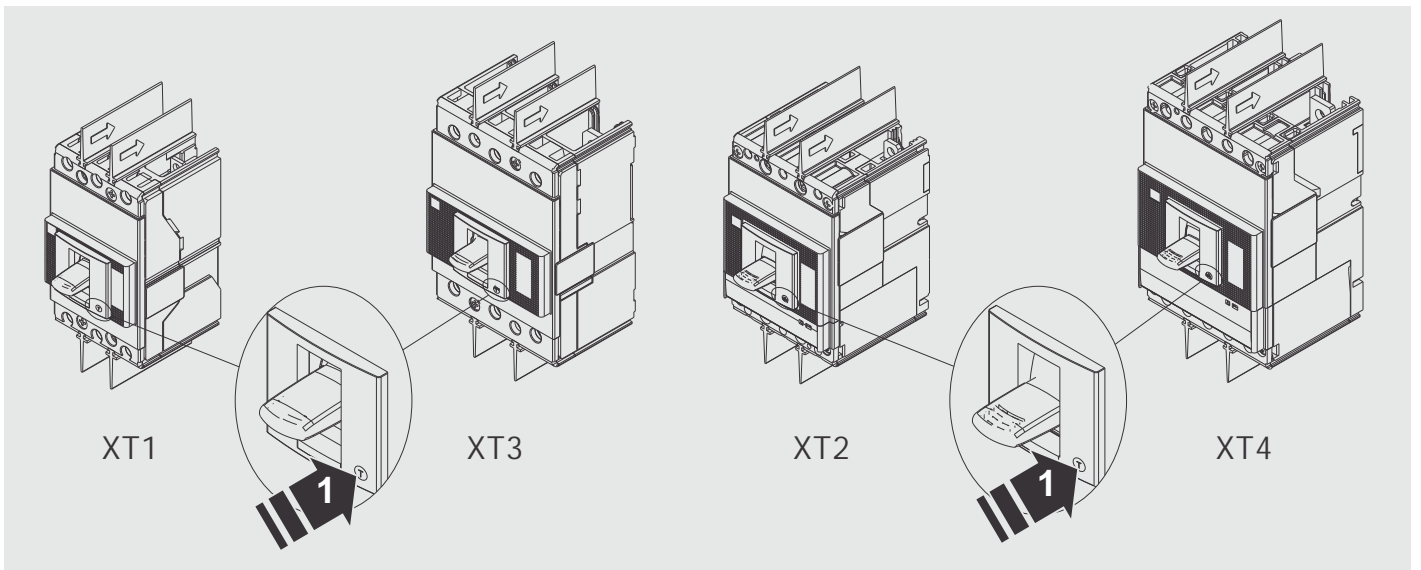


SACE Tmax XT

AUE - Contatti anticipati all'apertura, per maniglia rotante
AUE - Opening advance contacts, for rotary handle operating mechanism
AUE - Verfrüht kontakte für das Ausschaltung, für Drehhebelantrieb
AUE - Contact anticipé permettant la ouverture, pour commande par poignée rotative
AUE - Contacto temprano para el disparo, para mando giratorio

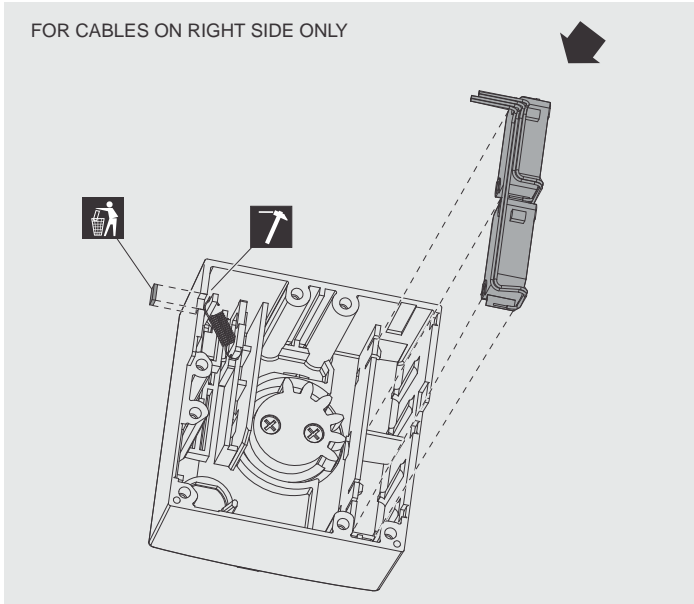
XT1-XT2-XT3-XT4/III-IV



B

F-P-W

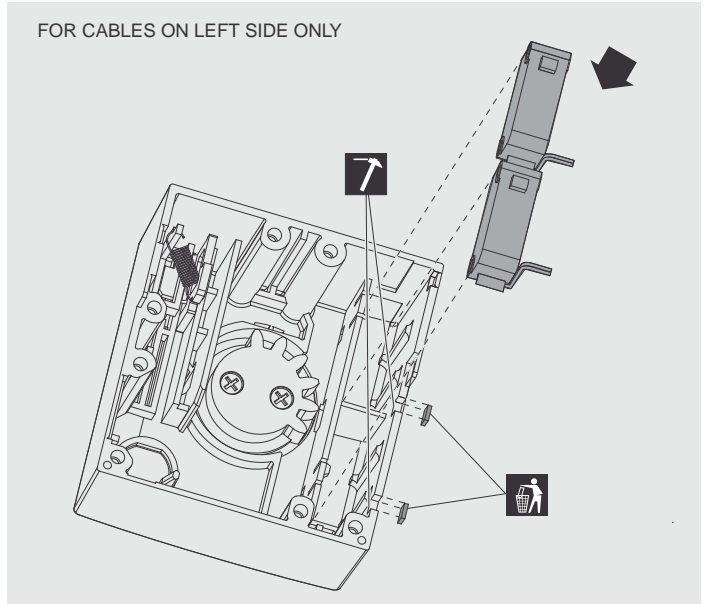
FOR CABLES ON RIGHT SIDE ONLY



C

F-P

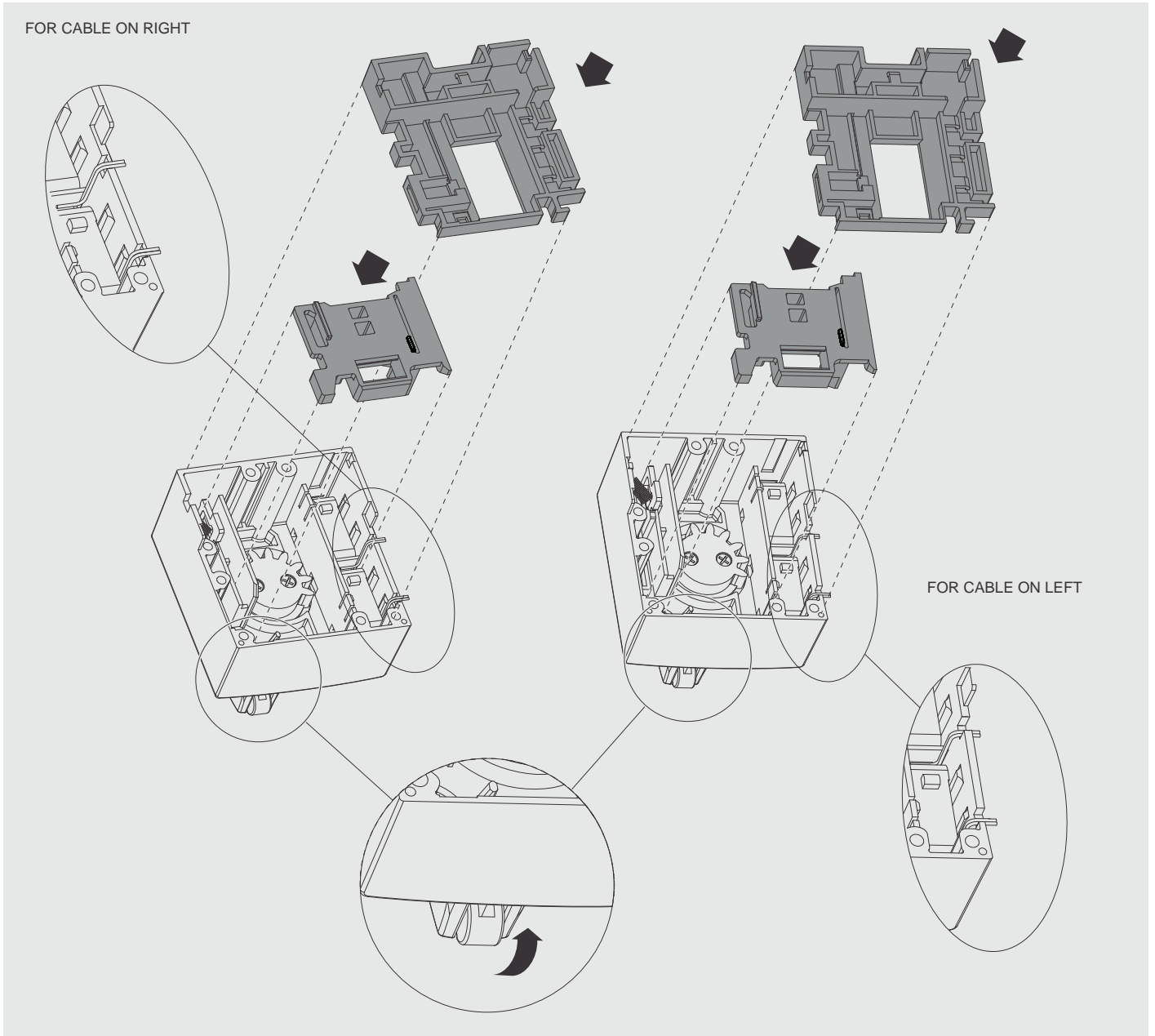
FOR CABLES ON LEFT SIDE ONLY



D

F-P

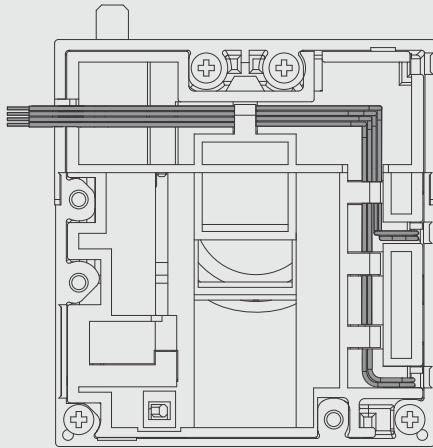
FOR CABLE ON RIGHT



E

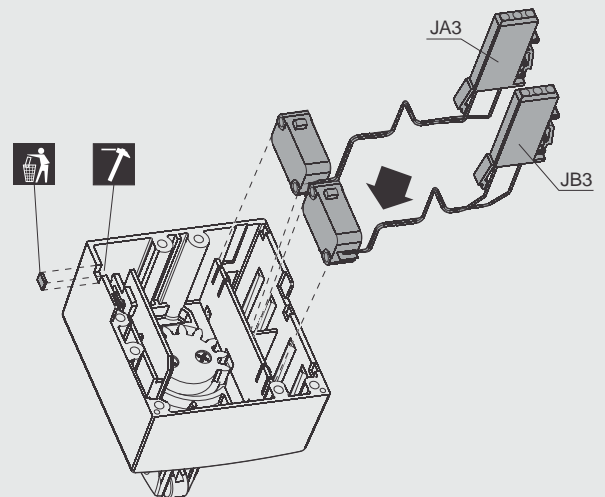
F-P-W

FOR CABLE ON RIGHT ONLY



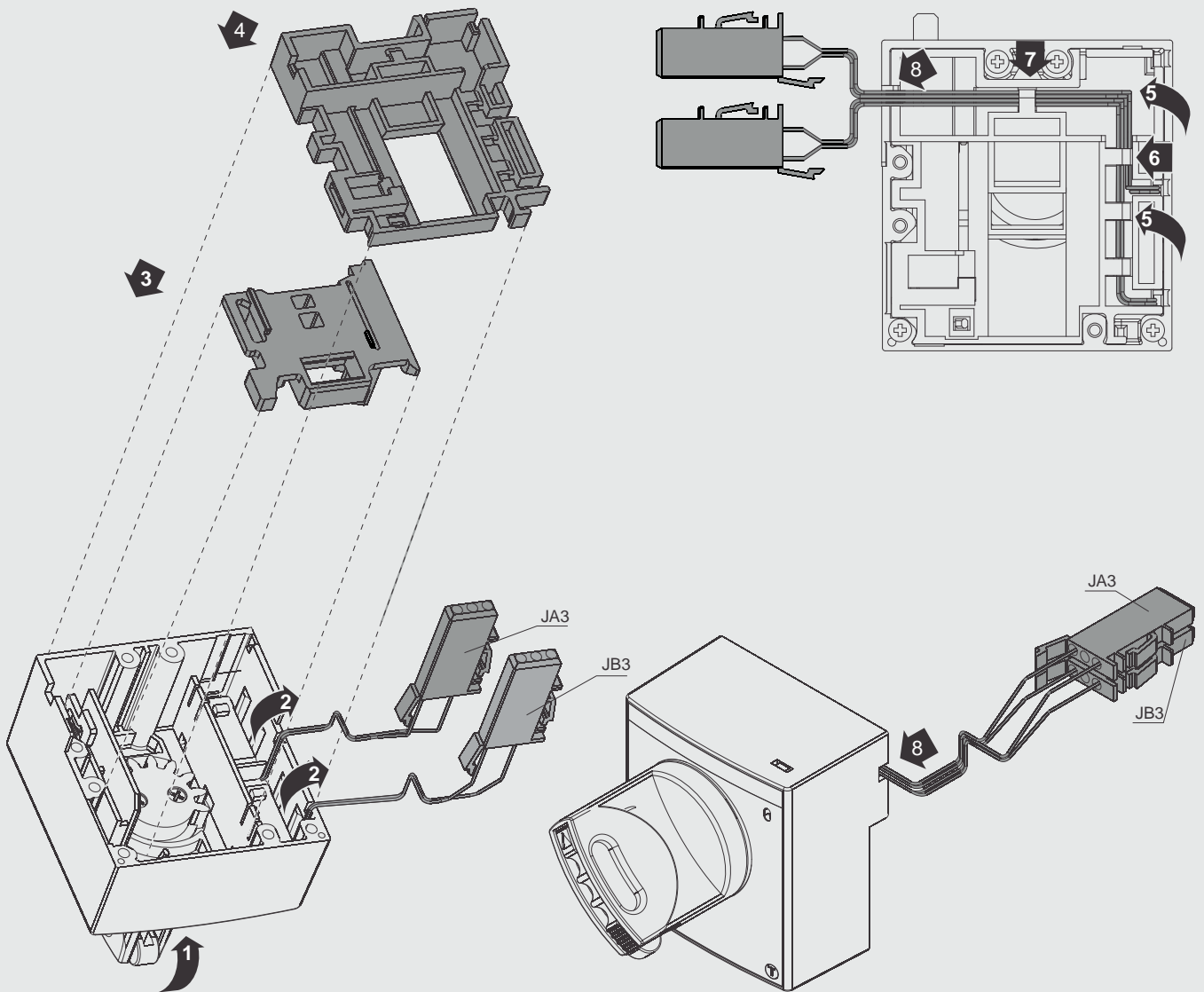
F

W



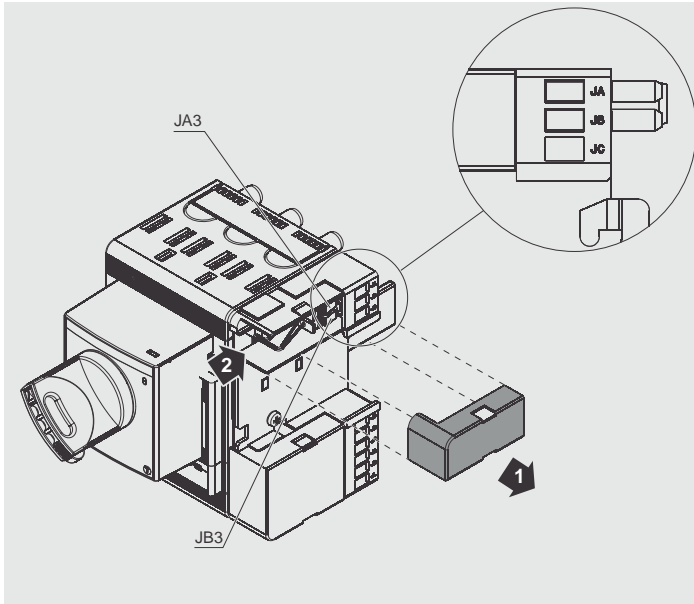
G

W



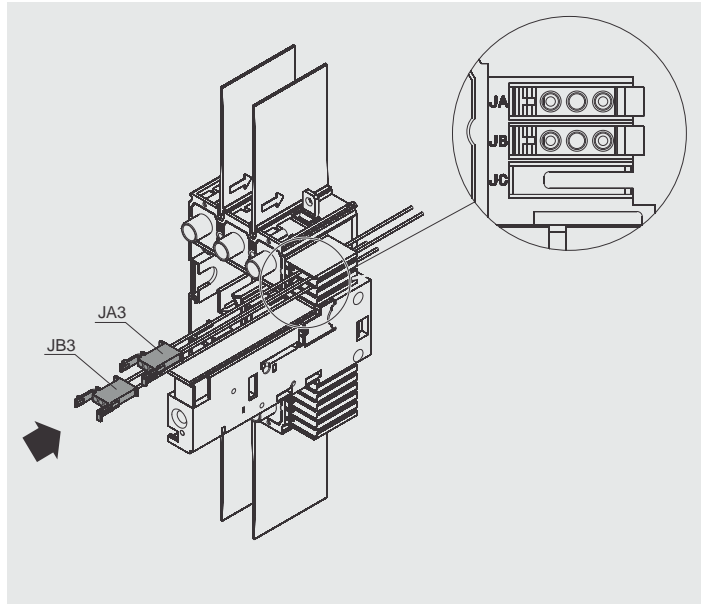
H

W



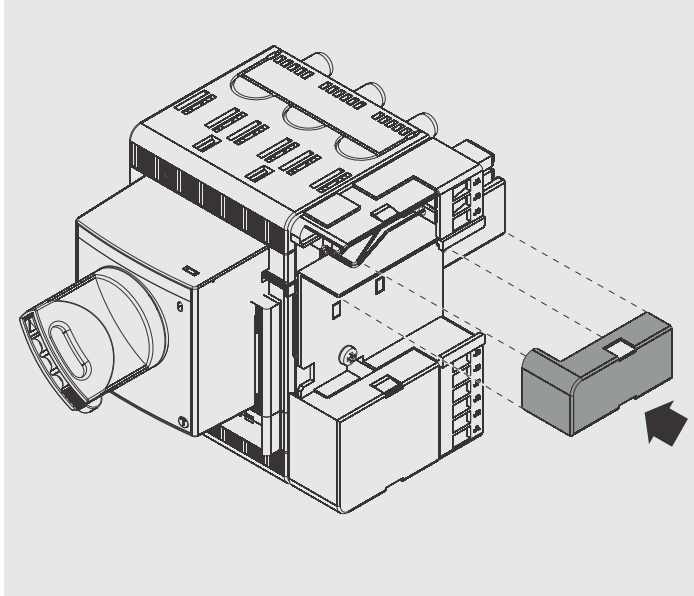
I

W



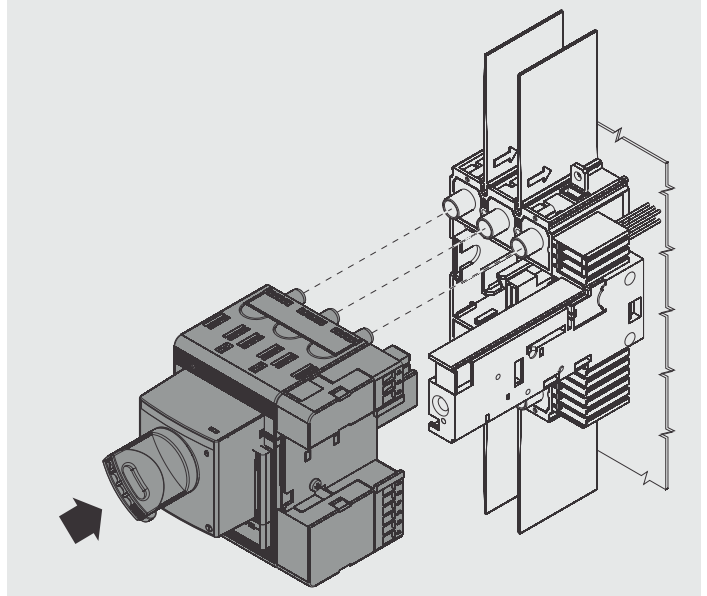
J

W

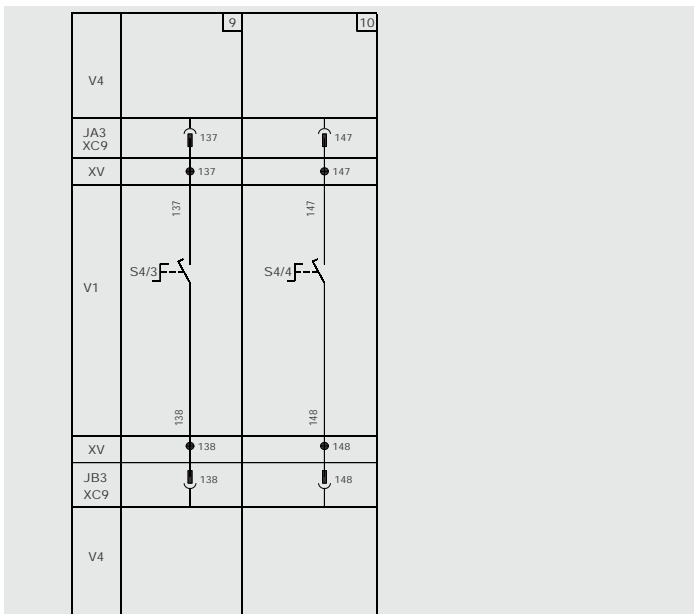


K

W



L



For more information please contact:

ABB S.p.A.
 ABB SACE Division
 Via Baioni, 35
 24123 Bergamo - Italy
 Phone: +39 035 395 111
 Fax: +39 035 395 306 - 433