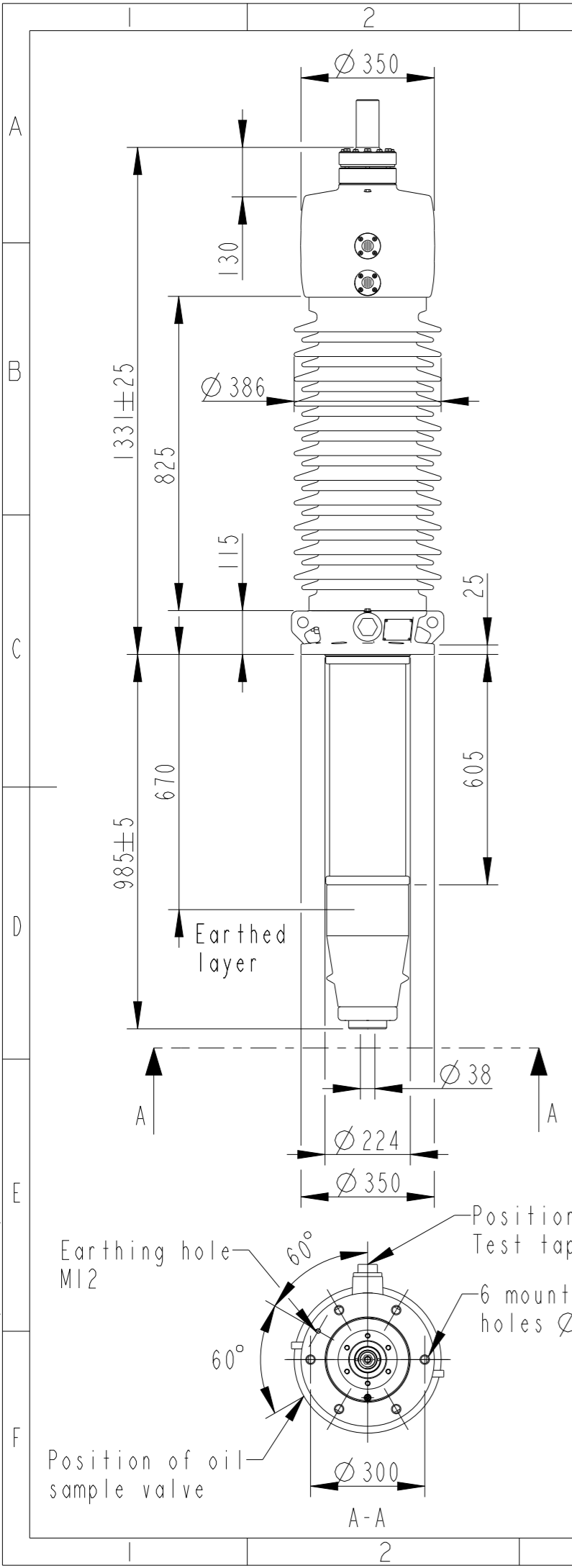


This document is issued by means of a computerized system. The digitally stored original is electronically approved. The approved document has a date entered in the "Approved"-field. A manual signature is not required.

Revision Revision text
 J -BBB deleted and oil hole removed



Bushing Data:

Rated Voltage	52 kV
Phase to-earth Voltage	30 kV
Dry Lightning Impulse 1,2/50µs	250 kV
Wet Switching Impulse	210 kV
Wet Power frequency AC	120 kV
Routine test 1min dry 50Hz	120 kV
Rated Current	5000 A
Creepage Distance	2955 mm
Mass	300 kg

Ordering Data:

BUSHING	I ZSC902052-ABB/-DBB		COLOUR AIR INSULATOR		BROWN/GREY
OUTER TERMINAL		Max. Rated Current (A)	H2 (mm)	D2 (mm)	
LF170 073-A	Al	2500	125	60	
LF170 073-B	Cu	4000	125	60	
LF170 073-G	Cu/Ag	4000	125	60	
LF170 073-L	Cu/Sn	4000	125	60	
LF170 073-BA	Cu/Ag	3000	125	2"-12UN	
LF170 073-AA	Cu	5000	115	96	
LF170 073-DB	Cu/Ag	5000	125	96	
END-SHIELD	LF170 046-U		EPOXY INSULATED		
	LF170 046-UP		INSULATED WITH 3 mm PRESSBOARD		
DRAW ROD SYSTEM	LF170 059		LOWER DRAW ROD WITH NI=4 OR NI=6		
	LF170 057		UPPER DRAW ROD		
INNER TERMINAL	D3 (mm)	D9 (mm)	Cond.area (mm ²)	Current (A) IEC	Current (A) IEEE
LF170 056-A	0 *)	35	-	-	-
LF170 056-B	15	35	95	390	370
LF170 056-C	30	35	285	1000	830

*) WITH PILOT HOLE D=5

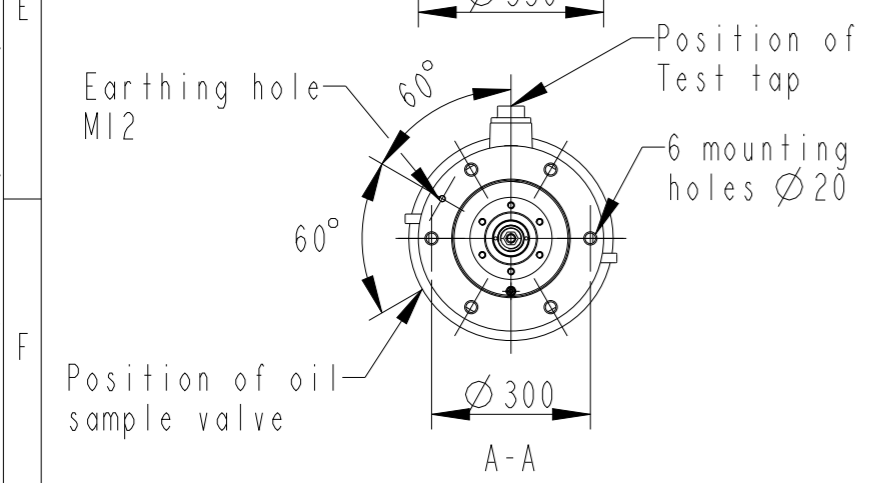
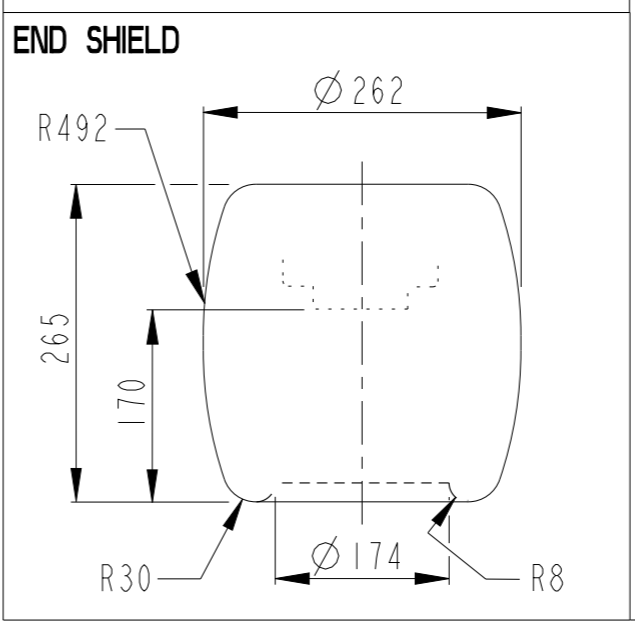
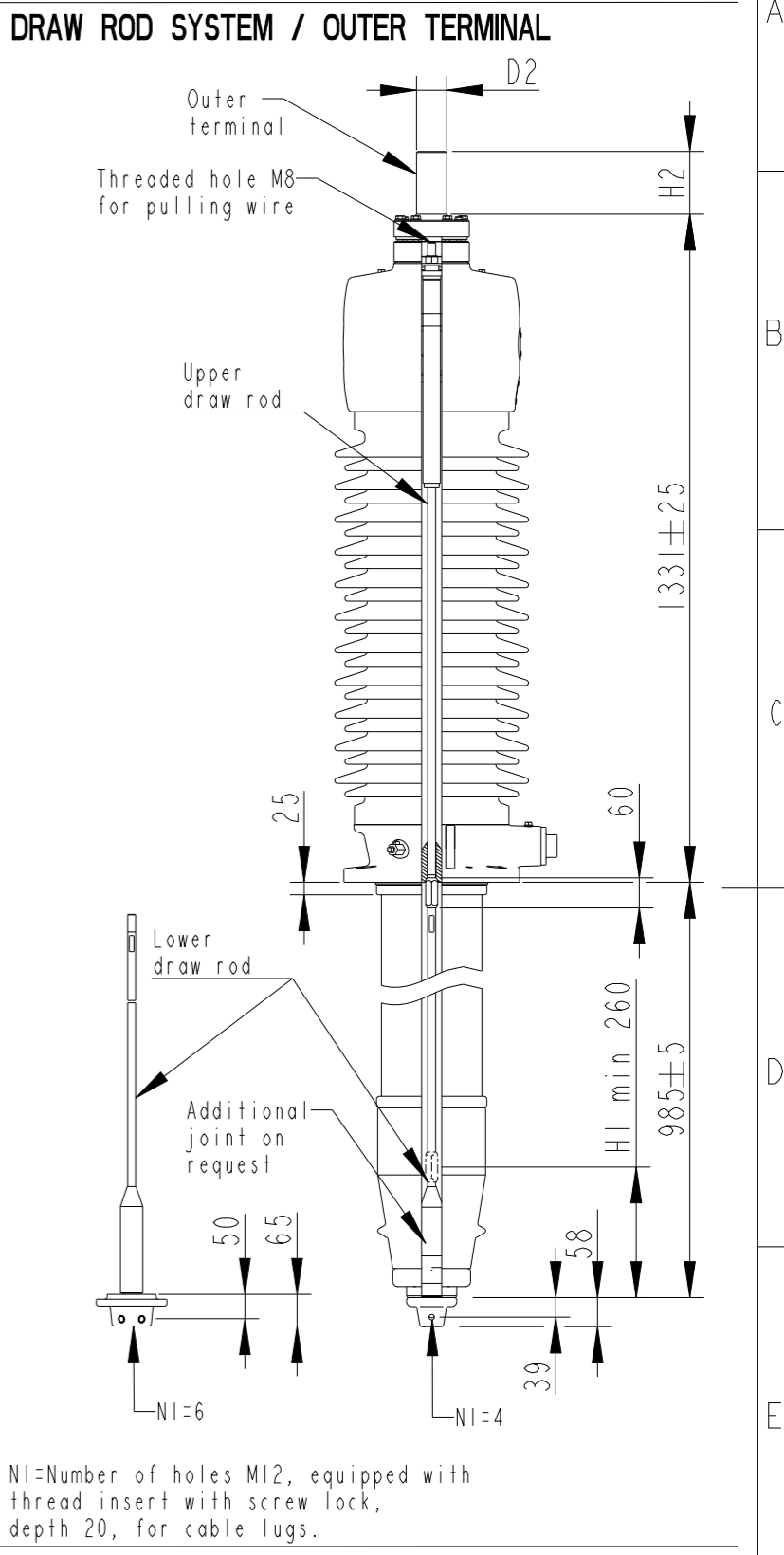
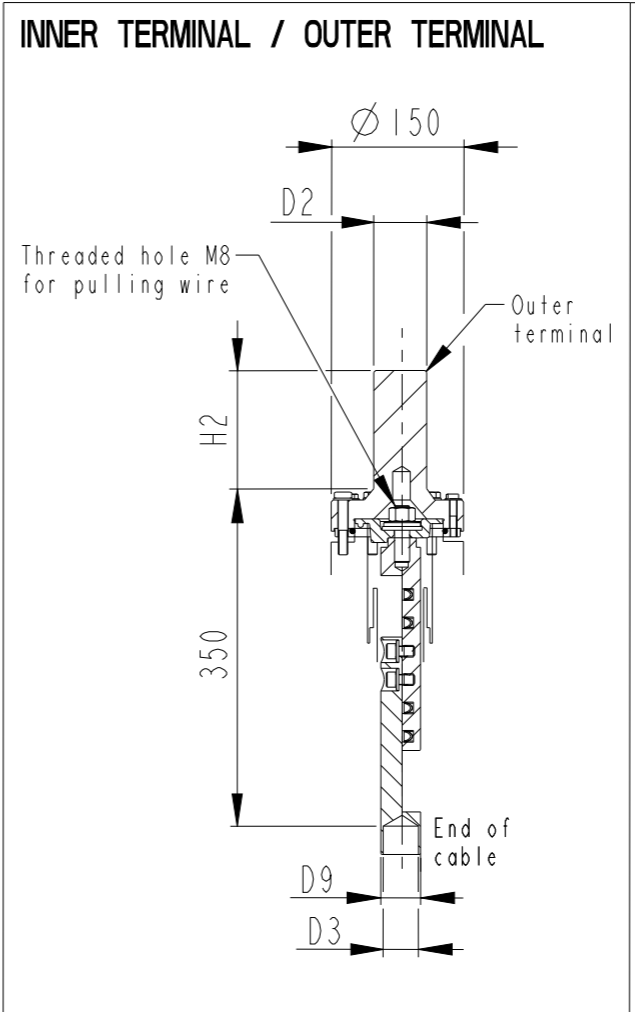


ABB Ludvika, Sweden

No.	Um/Un	kV Ir	A	50/60 Hz
BIL	kV	SIL	kV	AC kV
M	kg	L	mm	✓
C1	pF	Tan δ		x
C2	pF	Tan δ		x

Created by Balaji.G.R	Reviewed by Joakim Persson	Approved by Natalia Gutman
Approved 2019-11-08	Document Kind Assembly Drawing	Based on doc.id Work order id Project id
Company ABB Technology Ltd	Title, Supplementary title GOE 250-210-5000-0.6	
Responsible Department SEABB-9AAE300824	GOE 250-210-5000-0.6	
ABB	Document id 2751369-300	Status Released
	Revision J	Iteration 1/1
		Sheet 1/1