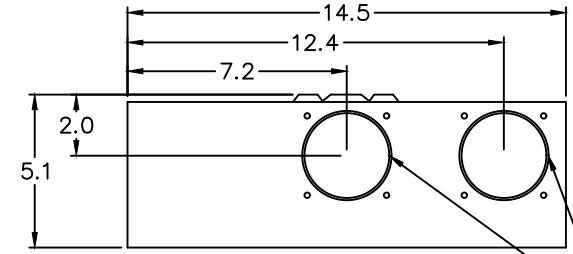
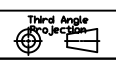


3D Model is the Master Document of Article or Material Manufactured to Reach Article or Material Must Conform to RMS Form Part Conform to 3D Model-Each-Part-Process Dimensioning & Tolerancing as per ASME Y14.5-2009

ABB PROPRIETARY AND CONFIDENTIAL INFORMATION
The information contained in this document is to be kept strictly confidential. Any unauthorized disclosure of this information is strictly forbidden. ABB reserves all rights regarding intellectual property rights. Copyright 2017 ABB. All rights reserved.

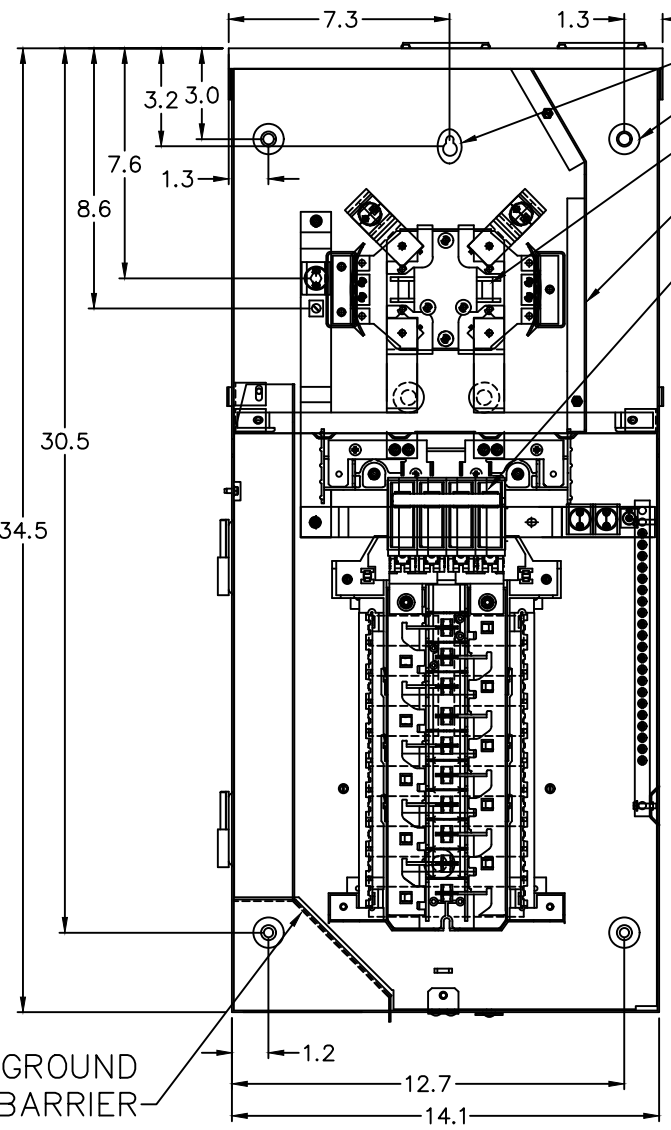
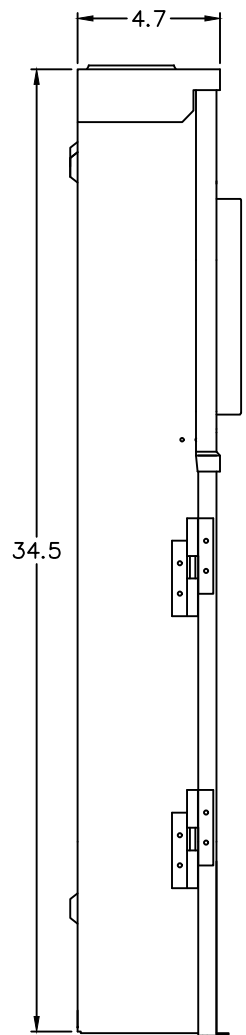


KNOCKOUT TABLE:

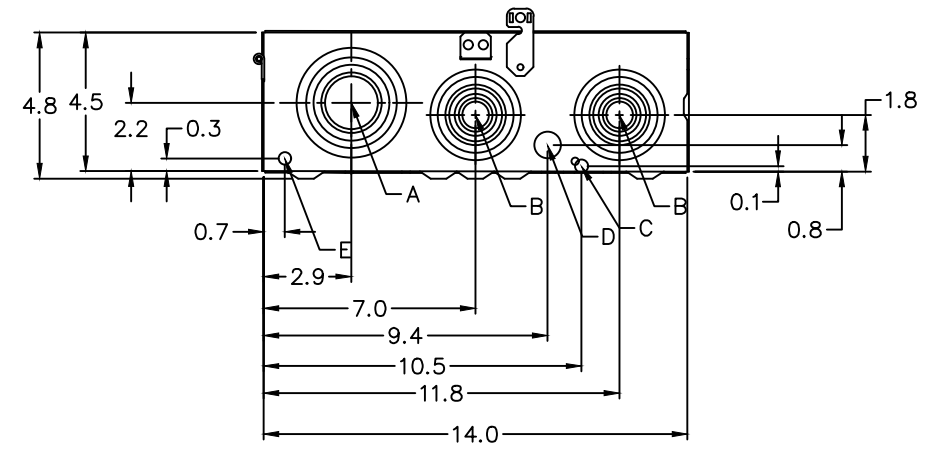
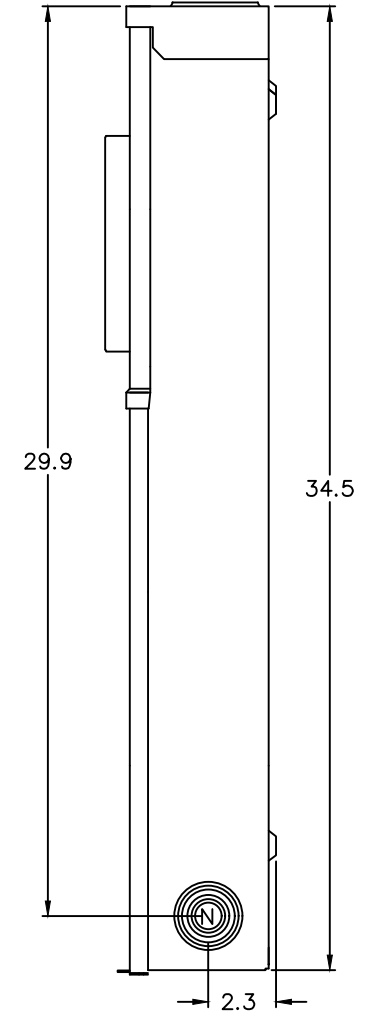
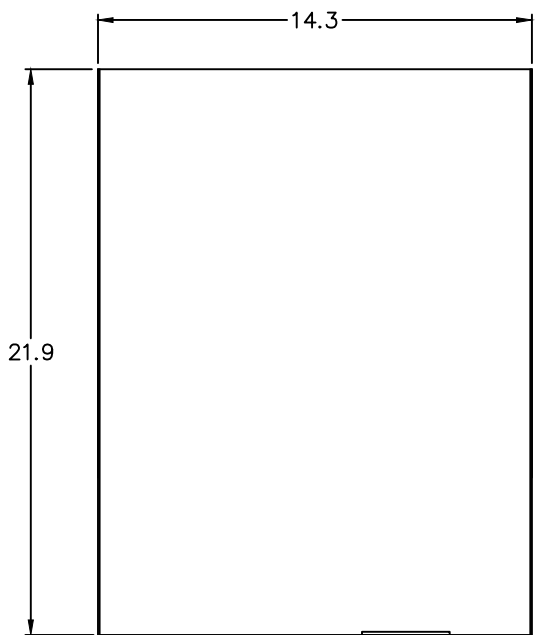
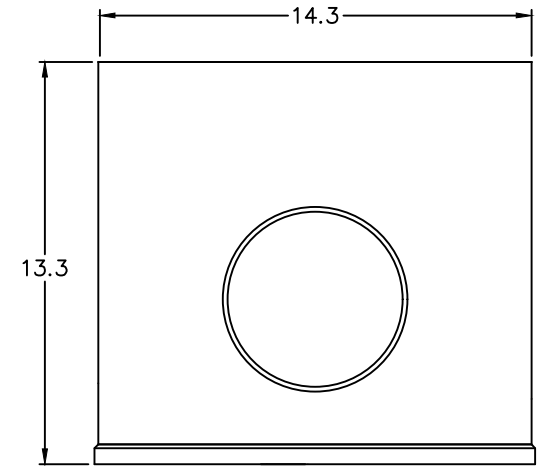
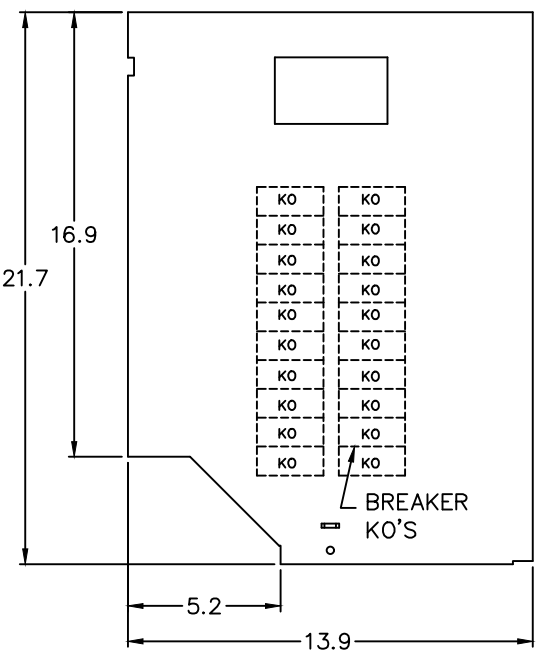
A	= 1 1/4" - 1 1/2" - 2" - 2 1/2" - 3" KO
B	= 1/2" - 3/4" - 1" - 1 1/4" - 1 1/2" - 2" - 2 1/2" KO (2X)
C	= 1/4" DRIP HOLE
D	= 1/2" KO
E	= 9/32" KO

WIRE RANGE TABLE:

CONNECTOR	METER SOCKET	COPPER		ALUMINUM	
		SOLID	STRAND	SOLID	STRAND
LINE		-----	1/0-250	-----	1/0-250
LOAD-NONE		-----		-----	
NEUTRAL A		-----	6-250	-----	6-250
NEUTRAL B		14-8	14-1/0	12-8	12-1/0
NEUTRAL C		-----	2-250	-----	2-250



- 2-1/2" HUB HOLE (2X)
- Ø0.312 KEY HOLE KNOCKOUT
- 5/16" MOUNTING HOLE (4X)
- 200AMP. RINGLESS METER SOCKET
- OVERHEAD FEED BARRIER
- 200AMP. PLUG-IN CIRCUIT BREAKER



SH66

CATALOG#	MODEL#
TSMR2020CSCUFMG	M01

ABB			
TITLE ENCLOSURE BODY ASM 14"x34"			
UNITS in	LEGAL TITLE	REV	RELEASE STATE
---		3	Released
SCALE NTS	PRODUCT LINE	SHEET	
	LOAD CENTER	1 of 1	