

## TECHNICAL DATA SHEET

DS0126 rev 12

# Cylon® eXplore



## DESCRIPTION

The next generation Cylon eXplore graphical interface is an Internet of Things (IoT) touch-screen solution that is scalable and secure, able to control, monitor and manage future-ready smart buildings. The eXplore touchscreen display allows users to securely access, view and engage with operating parameters of the entire enterprise portfolio of buildings or a single controller.

The IP connected display can be configured to showcase the entire building ecosystem enabling easy interaction with Cylon's:

- ASPECT® Control Engines (NEXUS and MATRIX Series)
- INTEGRA™ Series (INTEGRA-Supervisor and IT-8000)
- CBXi Series or Unitron UC32.net (Version 2)

Enhanced graphics for a rich user experience are available when an eXplore device is connected to any ASPECT Control Engine. ASPECT provides preconfigured enhanced designs and operational efficiencies through an automatically generated HTML5 interface which means that no additional configuration or development is required.

When connected to Cylon's CBXi Series of BACnet® IP controllers, the display automatically provides pre-configured SiteGuide views of the points in the controller.

With eXplore, the user can easily manage operating parameters of the connected systems: monitoring values, equipment and system status, viewing trends and active system alarms to perform diagnostics and take corrective actions such as overriding or setpoint adjustments.

## APPLICATION

The eXplore display is typically used for:

- Control and monitoring of buildings across an enterprise's portfolio.
- Supervision and servicing of a single site or single controller.

Control, monitoring and servicing of connected HVAC equipment such as central plants, boiler rooms or air handlers.

Allwinner® V40 QuadCore, Cortex™ A7 1GHz Processor with 1GB DDR3 RAM, 8 GB EMMC Flash

Integrated 10/100 Mbps networking resulting in increased speed and enabling fast response

Full HD Resolution - 1920 X 1080

Integrated Wi-Fi support

Edge-to-edge patented IP65 front with silicon seal for the harshest environment installation

10-Finger Multi-Touch, Anti-Glare, Capacitive Color Touch Panel capable of HTML5 graphics and supports Pinch, Zoom and Multi-touch Gestures

Available in two sizes (7" or 10.1")

Panel mount using supplied bracket or install on a wall using a suitable VESA 75 mount

# SPECIFICATIONS

## MECHANICAL

	eXplore-C7	eXplore-C10
IP rating	IP65 Front IP40 Back	IP65 Front IP40 Back
Net weight	1 kg / 2.2lb	2 kg / 4.4 lb
Gross weight	2.00 kg / 4.4 lb (incl. carton)	2.90 kg / 6.4 lb (incl. carton)
Housing L × W × H	195.6 mm × 137.6 mm × 37.5 mm 7.7" × 4.4" × 1.5"	278.0 mm × 203.6 mm × 33.3 mm 10.9" × 8.0" × 1.3"
Mounting	VESA 75	VESA 100
Surface Hardness	7H	
Housing material	Rubber front case, ABS back case	

## ENVIRONMENT

Operating Temperature	-10°C ... 60 °C / 14 °F ... 140 °F
Humidity Range (RH)	10 % ... 90 %

## POWER

Power Supply (included)	100 ... 240 V AC / DC active switching 12 V DC Out Adaptors included for the following countries: UK/Ireland, USA, Europe
Operating voltage	12 V DC
Power Consumption	eXplore-C7: 8 W eXplore-C10: 11 W
Stand-By Consumption	< 1 W

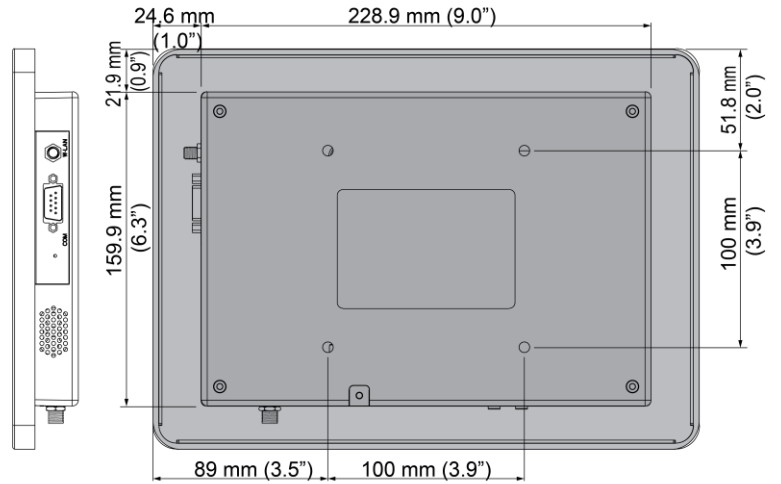
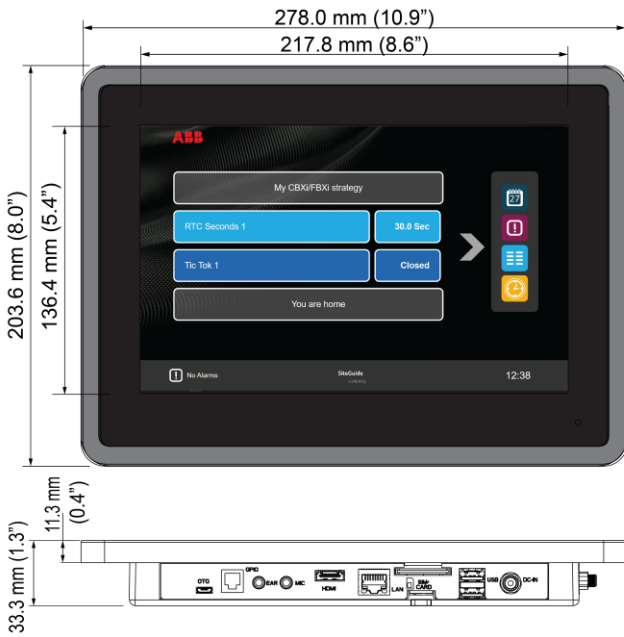
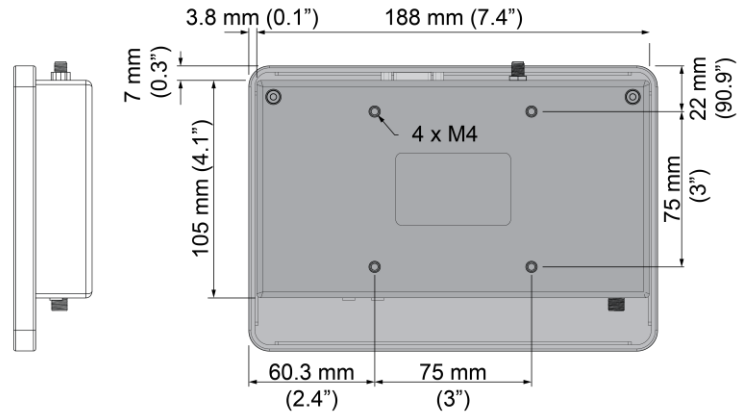
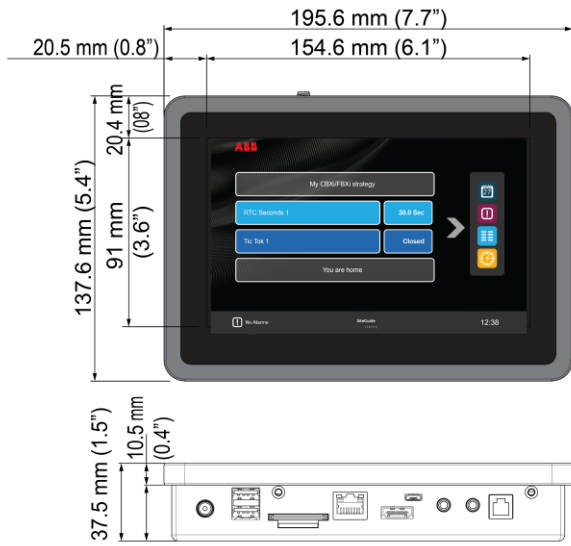
## SCREEN

	eXplore-C7	eXplore-C10
Screen diagonal	7" / 177.8 mm	10.1" / 256.5 mm
Display active screen size	154 mm × 90 mm 6.00 in × 3.54 in	217mm × 136 mm 8.54 in × 5.35 in
Aspect ratio	16:09	16:10
Physical resolution	1024 × 600	1280 × 800
Colours displayed	262K	16.7M
Brightness	500 cd/m <sup>2</sup>	350 cd/m <sup>2</sup>
Visual Angle horizontal/vertical	150° / 145°	170° / 170°
Typical reaction time Tr/ Tf	10 ms / 15 ms	
Backlight / Backlight Lifetime	LED / 20,000 hours	
Contrast	700:1	
Touch Technology	Projected Capacitive 10-point Multitouch	

## SYSTEM

CPU	Allwinner® V40 QuadCore, 1GHz, Cortex™ A7
Graphic GPU	ARM® Mali400 Mp2 Complies with OpenGL ES 2.0/1.1
Audio	Integrated HI-FI 100dB Audio Codec Dual analog mic, 2x6W amplifier, 1x Amplifier for 2x 6W loudspeaker
Memory	1x 1GB DDR3
Storage	8GB EMMC Flash
Network	10/100 Mbit Network; W-LAN
Pre-installed OS	Android 6.0

# DIMENSIONS



# SYSTEM ARCHITECTURE

