



DEH44154

# Double Throw 30-400A Safety Switch, NEMA 3R



Hazards of electrical shock or burn! Turn off power before working inside this equipment.

## General

To comply with the National Electrical Code and Underwriters Laboratories, the safety switch must be installed in accordance with the information provided on the UL rating label on the inside of the equipment. Follow all local electrical codes and have work performed by a qualified electrical contractor and/or licensed electrician only.

## Mounting Instructions:

1. **Move Switch handle to OFF or center position.**
2. **Open Switch Door.**

Unlatch Latch A, then open the door by pushing Latch B to the right until it clears the cover. The door is hinged on the left and opens on the right.

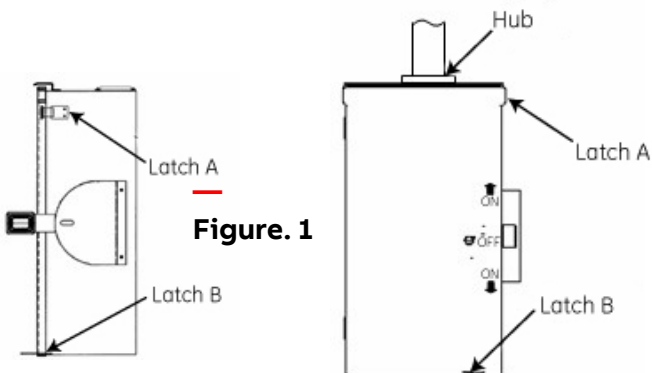


Figure 1

3. **Install hub.**

Install the rain tight hub, if required, as shown above.

4. **Mount switch.**

Use the mounting holes as shown with fasteners of the appropriate size for the switch being mounted.

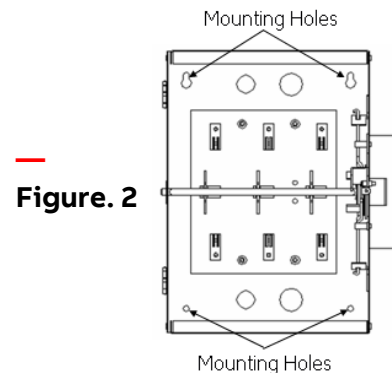


Figure 2

5. **Remove knockouts.**

Remove the center portion of the knockout first by striking it inward with a hammer and screwdriver. Outer rings may then be pried up or driven in one at a time.

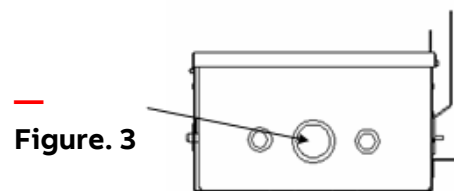


Figure 3

6. **Pull Line and Load wiring into the box.**

7. **Wire phase A, B and C of Load as shown.**

Refer to rating label inside switch for load lug tightening torque. Pull Load wires into the switch in the direction indicated by the arrows.

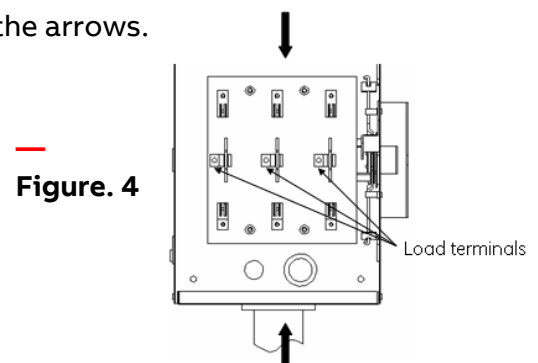
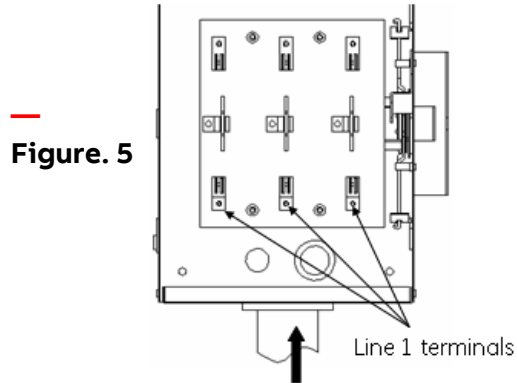
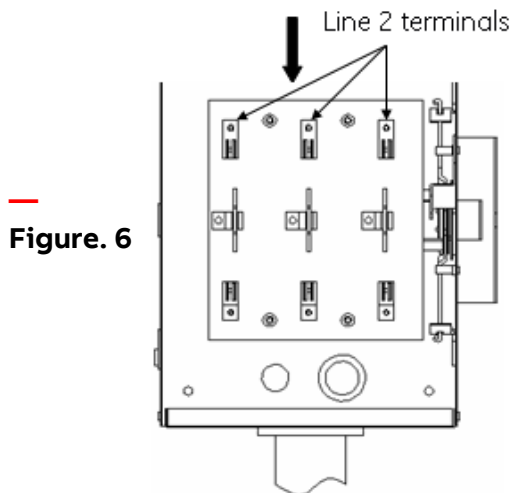


Figure 4

- 8. Wire phase A, B and C of Line 1 as shown.** Refer to rating label inside switch for line lug tightening torque. Pull Line 1 wires into the switch in the direction indicated by the arrows.



- 9. Wire Phase A, B and C of Line 2 as shown.** Refer to rating label inside equipment for proper tightening torque. Wire Line 2 only in the direction indicated by the arrow.



- 10. Re-check all electrical connections.** Ensure that all electrical connections are tightened to the proper torque before energizing the safety switch.

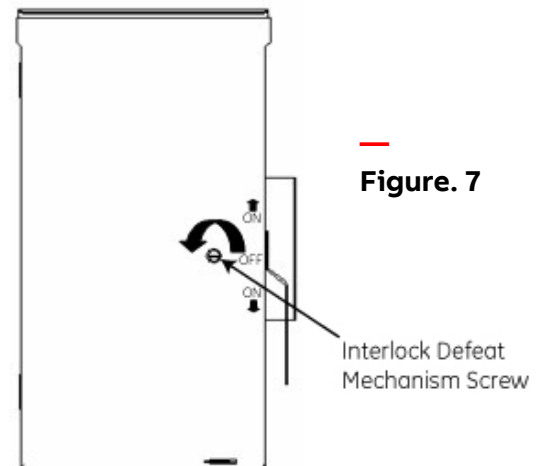
- 11. Close the door.** Close the door and ensure that latch A (see Step 2) is engaged.

### How to use the interlock defeat feature



Hazards of electrical shock or burn! Turn off power before working inside this equipment. The interlock defeat allows the door interlock to be overridden and the door to be opened when the switch handle is in the ON position. This should only be done by qualified electrical contractor and/or licensed electrician.

- **IN PREPARATION FOR OPENING THE ENCLOSURE DOOR, USE APPROPRIATE NFPA 70E PERSONAL PROTECTIVE EQUIPMENT (PPE)**
- Disengage Latch A and Latch B as described in Step 2 above.
- Insert blade-type screwdriver of the appropriate size into the defeat mechanism screw and rotate it counterclockwise (see directional arrow below) approximately 25°.
- Open the door.



**Note:** Accessories and replacement parts are listed on the label inside the safety switch door.