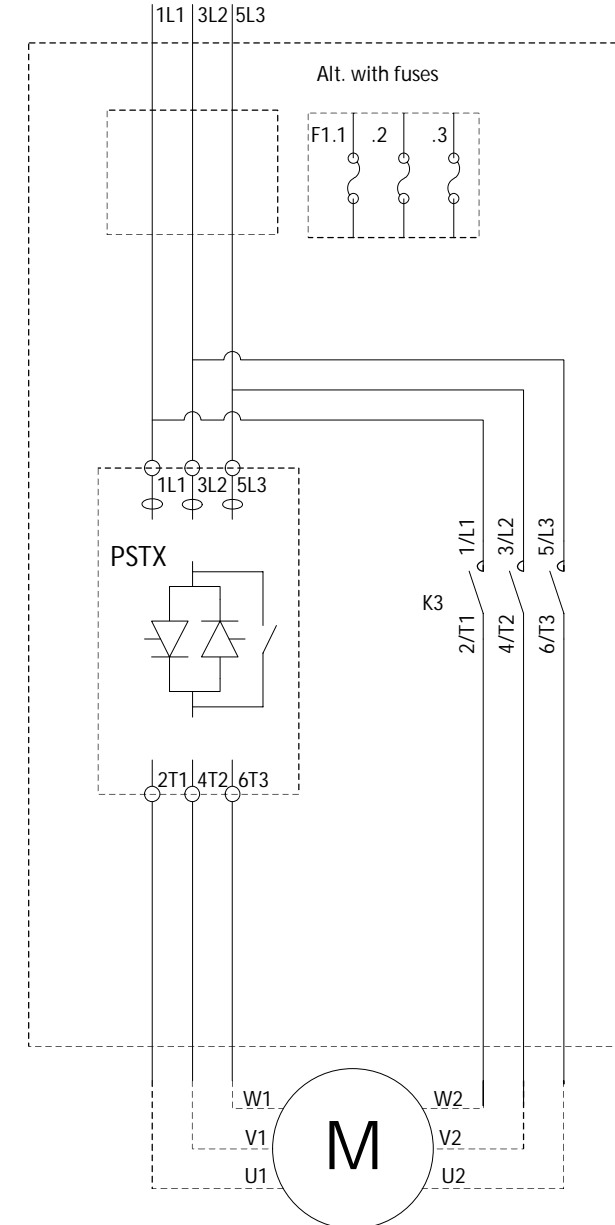
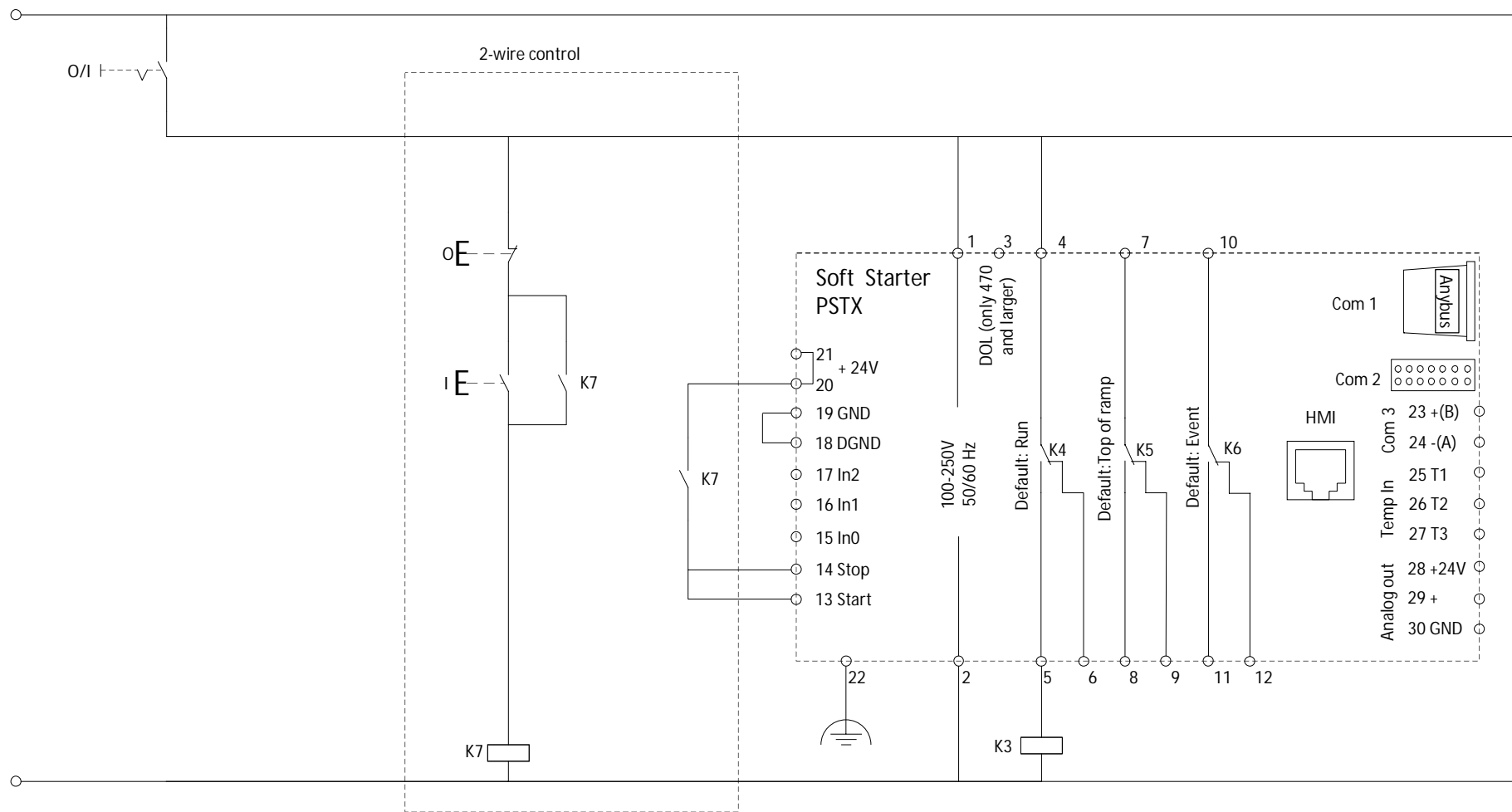


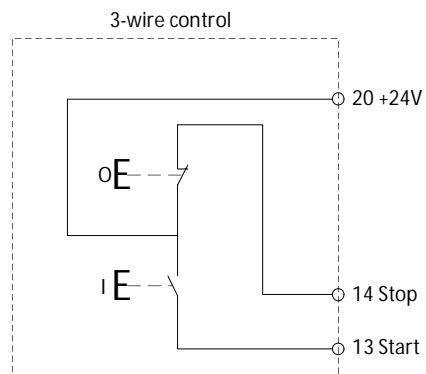
Rev	Pos	Description	Date	Sign.

Inside Delta



Coil consumption for Inside Delta contactor.
 Pull-in max 15A
 Holding max 1,5A

If the pull-in or holding values are Higher, the Inside Delta contactor must be controlled via an auxiliary contactor.



Created By Björn Johansson	State Approved	Responsible dep RE	Title Application diagram PSTX Inside delta	Lang EN
Approved By David Wikström	Approved Date 161019	Revision B	Document Number 1SFB536005G5001	
ABB AB, Control Products				Size A3
				Sheet 1 of 1

We reserve all rights in this document and in the information contained therein. Reproduction, use or disclosure to third parties without express authority is strictly forbidden. Copyright ABB.

Proprietary and secret information

保密文件，经手人负有保密义务；未经授权而披露，权利人享有追偿权利。