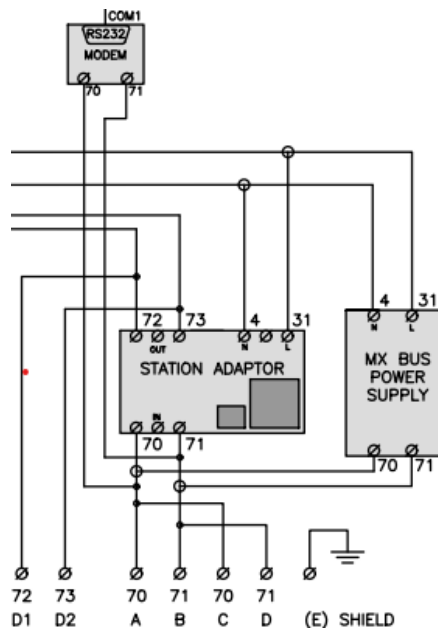


PRODUCT SPECIFICATION

EMEX Test – Modem

ELD9500.039

ELD9500.039R – (For Replacements)



The EMEX Test Modem provides an input point for allowing roving access to the system using a laptop or PC.

Cable / Connection	9 Pin Serial
Dimensions (mm)	85 x 85 x 48 (HxWxD)
Software	Communicates with EMEX Test Software

The content of this ABB document has been checked carefully for accuracy at the time of print. However, ABB does not give any warranty of any kind, expressed or implied in this respect and shall not be liable for any loss or damage that may result from any use or as a consequence of any inaccuracies in or any omissions from the information which it may contain. We reserve the right to modify, update products as part of our policy of continuous product development. E&OE

EMERGI-LITE	DOCUMENT ID.	DATE.	PAGE
	Spec_2020.04_ELD9500.039	APR 20	1/1