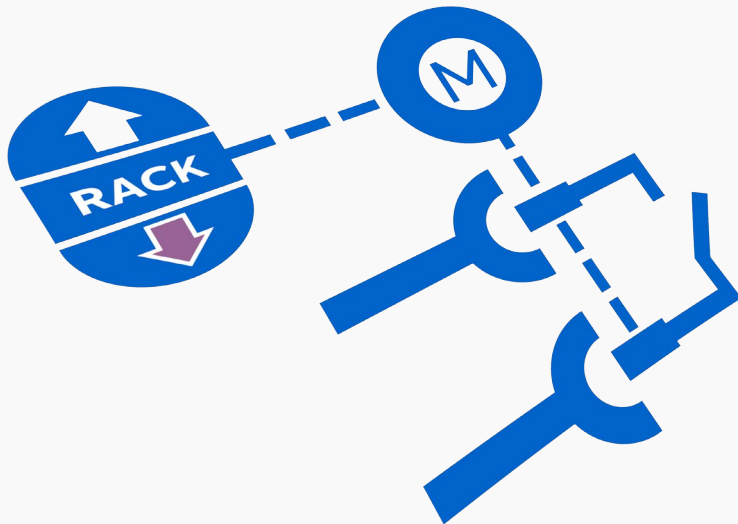


# TruckMaster

## Remote racking solutions for enhanced personnel safety



Truckmaster allows circuit breakers to be remotely racked in and out from a safe distance. The device can be simply and rapidly applied to the circuit breaker compartment door. Use of Truckmaster is the most effective way to ensure that operators work in total safety.

### Arc flash

Electric arcs can occur for several reasons, such as human error or faulty connections. Accidents are quite unusual but when they do happen their consequences can be very severe. Operators are always exposed to these risks when working in the switchgear room. Flames, ejected parts, smoke and overpressure are the main effects of an arc fault in non-arc classified switchgear. Smoke is released into the room when faults occur in arc-classified switchgear without a gas outlet. The sound blast produced by the fault is very dangerous in all circumstances.

### Solutions

ABB can provide remote racking apparatus onboard new MV circuit breakers and contactors. It can also be integrated into hard-bus and cradle-in-cradle retrofill applications.

A portable external driver can be applied in conversion and roll-in replacement solutions. Existing and new switchgear can be equipped with both devices, depending on the panel type. TruckMaster is a portable remote racking unit available in different variants for both cassette and floor-rolling apparatus with screw or ratchet racking systems.

### Benefits

#### Safety

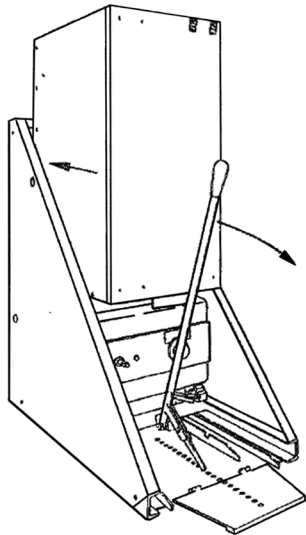
- Increased personnel safety thanks to the distance between the circuit breaker and operator
- Enhanced switchgear operability prevents human errors due to manual operations
- Racking operations are performed by applying the recommended force, thereby preventing damage to the mechanism and interlocks
- A self-stopping system interrupts the operations if excessive resistance is encountered

#### Operation

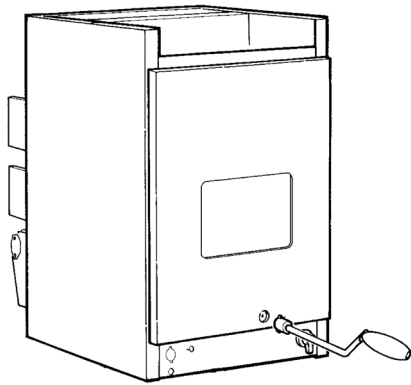
- The portable driver is easily applied to the switchgear door
- User-friendly ergonomic console
- Equipment position indicated remotely
- Mechanical interlocks are maintained for manual operations
- Easy storage in the switchroom

#### Investment

- Cost-effective way to attain a new level of operator safety
- Optimized investment since a single portable device is used for the whole line up



1



2

1) Floor-rolling apparatus with linear ratchet racking system;

2) Apparatus with rotary racking mechanism.

## Description

TruckMaster comprises three elements:

- Driver docking
- Portable driver
- Remote console

Driver docking is applied to the breaker compartment door so as to hook the portable driver to the door itself. One portable driver and relevant remote console are required in the switchroom to perform the remote racking operations. The umbilical cord for the remote console can be provided in different lengths.

## Product variants

Human errors can be prevented thanks to enhanced switchgear operability achieved by:

- Integrating a motor-operated racking system into each new or retrofit breaker when frequent operations from control system are required.
- Installing a portable TruckMaster device per switchgear line-up for maintenance-related operations by station personnel.
- There are different TruckMaster variants available to meet a huge range of application needs:
  - TruckMaster FR (Floor-rolling): can be provided with a retrofit solution if the original floor-rolling apparatus has a linear ratchet racking system (1)
  - TruckMaster CS (Cassette): designed for cassette and floor-rolling apparatus with rotary racking mechanism (2)

For more information please contact:



More product information:  
[www.abb.com/mediumvoltage](http://www.abb.com/mediumvoltage)  
 Your contact center:  
[www.abb.com/contactcenters](http://www.abb.com/contactcenters)  
 More service information:  
[www.abb.com/service](http://www.abb.com/service)

TruckMaster webpage:



Data and illustration are not binding. We reserve the right to make changes in the course of technical development.

© Copyright 2017 ABB. All rights reserved.