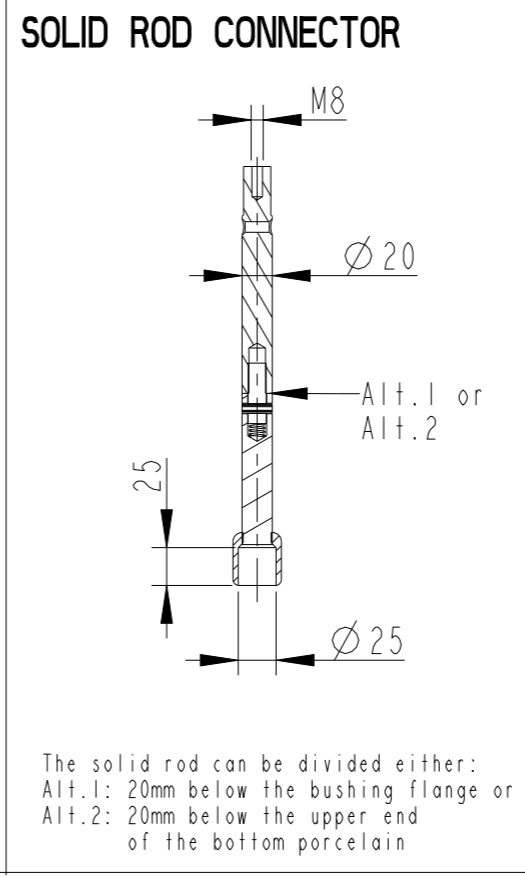
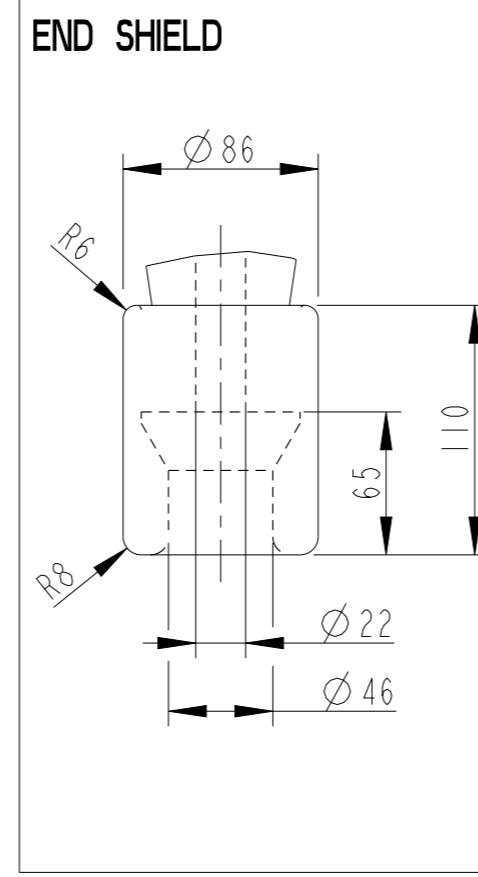
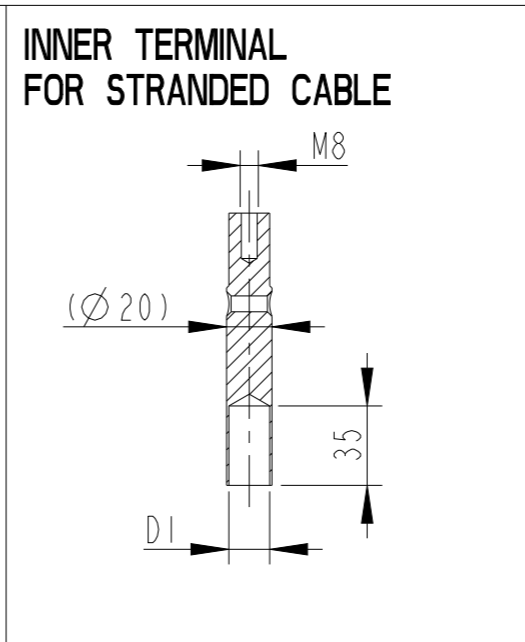
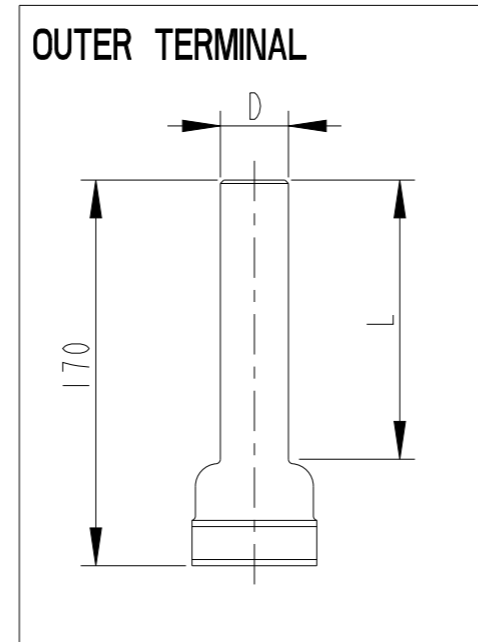
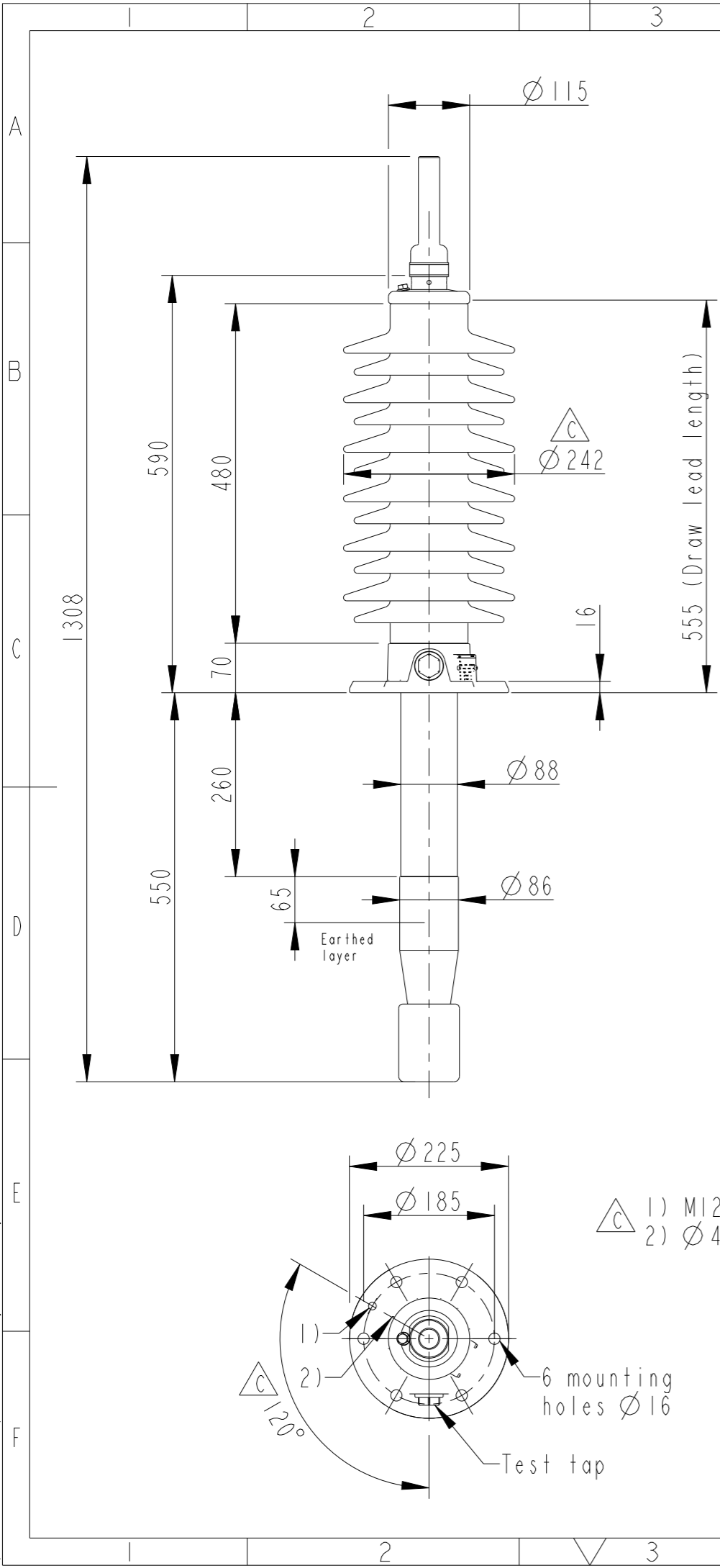


This document is issued by means of a computerized system. The digitally stored original is electronically approved. The approved document has a date entered in the "Approved"-field. A manual signature is not required.

We reserve all rights in this document and in the information contained therein. Reproduction, use or disclosure to third parties without express authority is strictly forbidden.

Revision    Revision text  
**C**    Bushing data, Ordering data & Dims updated



### Bushing Data:

Rated Voltage	52	kV
Phase-to-Earth Voltage	$\triangle C$ 30	kV
Dry Lightning Impulse 1,2/50 $\mu$ s	250	kV
Wet power frequency AC	105	kV
Routine test 1min dry 50Hz	120	kV
Rated Current	800	A
Creepage Distance	1690 $\pm$ 50	mm
Creepage Distance Protected	650	mm
Mass	$\triangle C$ 33	kg

### Ordering Data:

BUSHING	COLOUR	AIR INSULATOR
LF123015-M	BROWN	
LF123015-N	LIGHT GREY	
LF123015-HM $\triangle C$	BROWN	Horizontal 45°-90°
LF123015-HN $\triangle C$	LIGHT GREY	Horizontal 45°-90°

### OUTER TERMINAL

	Material	D	L
LF 170 002-A	Cu alloy	$\phi$ 30	125
LF 170 001-A	Al	$\phi$ 30	125

OTHER TYPES ON REQUEST

### INNER TERMINAL FOR STRANDED CABLE

For brazing	Conductor area	D1
LF 170 011-S	up to 150mm <sup>2</sup>	$\phi$ 18
LF 170 011-U	Undrilled with pilot hole	$\phi$ 5

For crimping or brazing	Conductor area	D1
LF 170 010-M	50mm <sup>2</sup>	$\phi$ 11
LF 170 010-N	70mm <sup>2</sup>	$\phi$ 13
LF 170 010-L	95mm <sup>2</sup>	$\phi$ 15

### SOLID ROD CONNECTOR

	Material
LF 170 019 -D for Alt.1	Cu
LF 170 019 -B for Alt.2	Cu

- $\triangle C$  1) M12 (For Earthing)
- $\triangle C$  2)  $\phi$ 4 Oil connection hole (only valid for horizontal mounting)

ABB		Ludvika, Sweden	
No.	kV Ir	A 50/60 Hz	
Um	kV SIL	kV AC	kV
BIL	kg L	mm	✓
M	pF Tan $\delta$		x
C1	pF Tan $\delta$		x
C2			

Approved 2021-09-28	Document Kind Dimension Drawing	Based on doc.id	Work order id	Project id
Company ABB AB	Title, Supplementary title GOB 250-800-0.3			
Responsible Department SEABB-9AAE300824	Without oil level gauge. Long end shield.			
<b>ABB</b>	Document id 2751369-112	Status Released	Revision C	Iteration 1/1