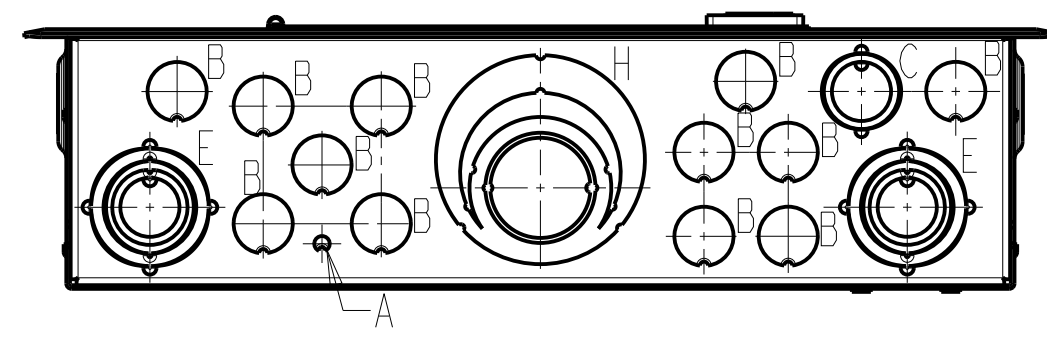
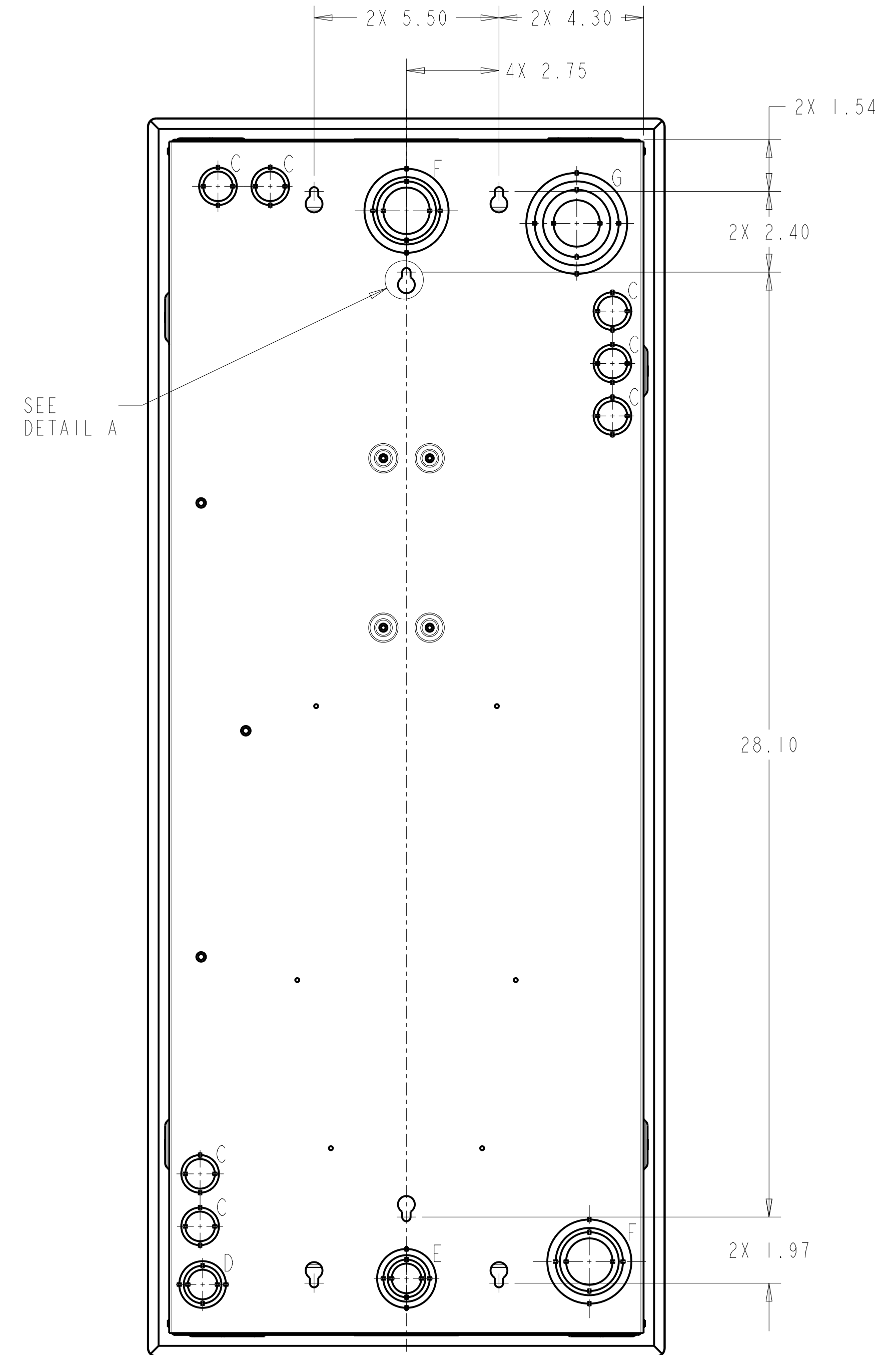
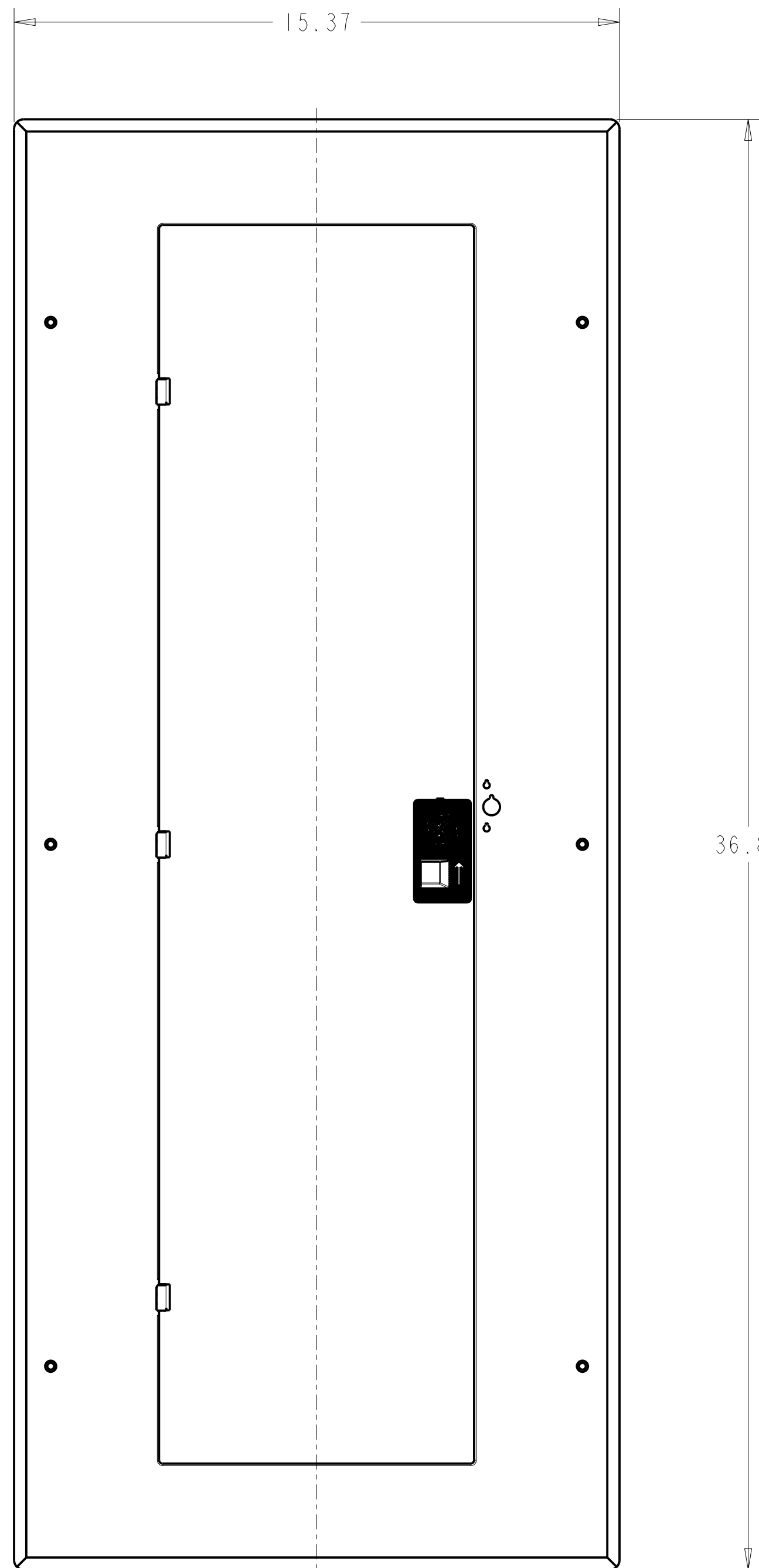
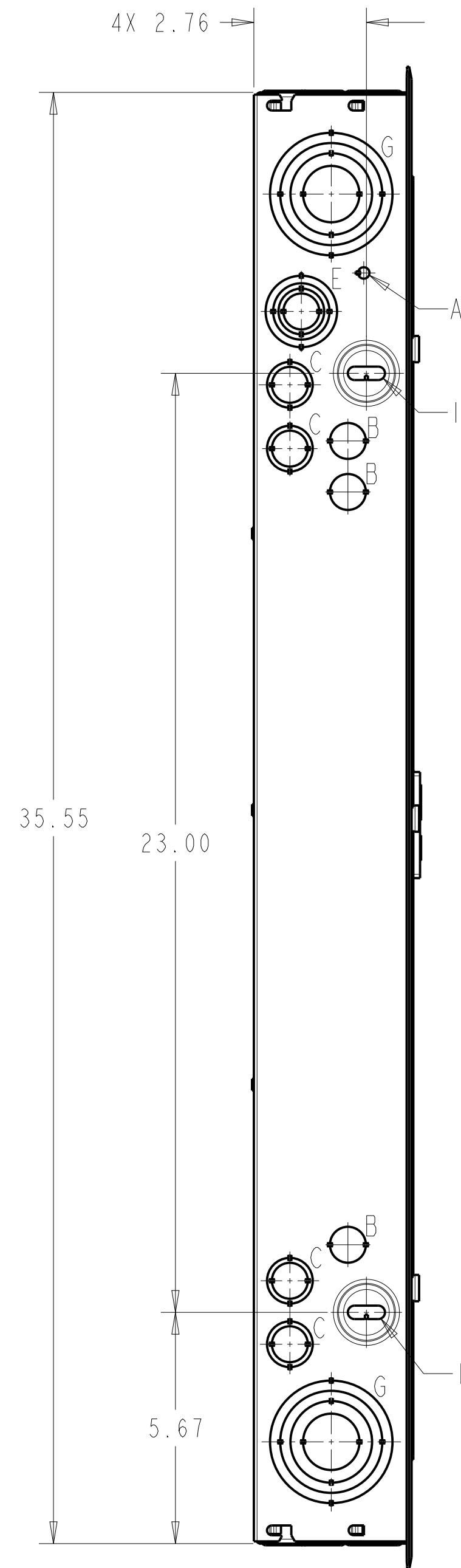
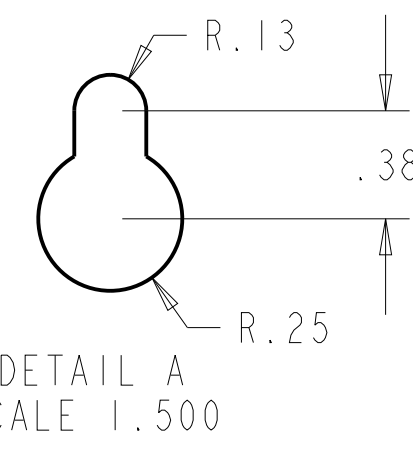


MOUNTING HOLES (X6)
ON THE BACK SURFACE OF THE ENCLOSURE



SYMBOL	SIZE	QTY.
A	9/32 KO	4
B	1/2 KO	28
C	1/2 X 3/4 KO	15
D	1/2 X 3/4 X 1 KO	1
E	1/2 X 3/4 X 1 X 1 1/4 KO	6
F	1 X 1 1/4 X 1 1/2 X 2 KO	2
G	1 X 1 1/2 X 2 X 2 1/2 KO	5
H	1 X 1 1/4 X 1 1/2 X 2 X 2 1/2 KO	2
I	.219 X .08 OBLONG KO	4

CAT. NO.	MODEL
TM24420C	3
TM24420CLB	3
TM24420CB	3

ALL DIMENSIONS HAVE +/- .125 TOLERANCE

ABB

MAIN C/B PANEL 3PH 4W 200A
14" INDOOR ASM ENCLOSURE (35.44)

THIRD ANGLE	SHEET#	DWG NO.	DATE	REV
	1 of 1	10103091SH291	May-03-22	1