

Figure: Optional BIO0005 module (slot X105 or slot X110)

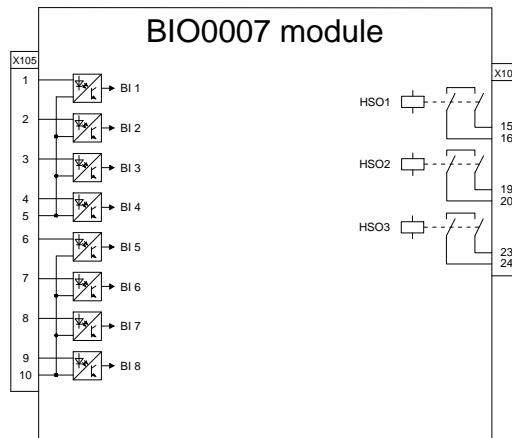


Figure: Optional BIO0007 module for fast outputs (slot X105)

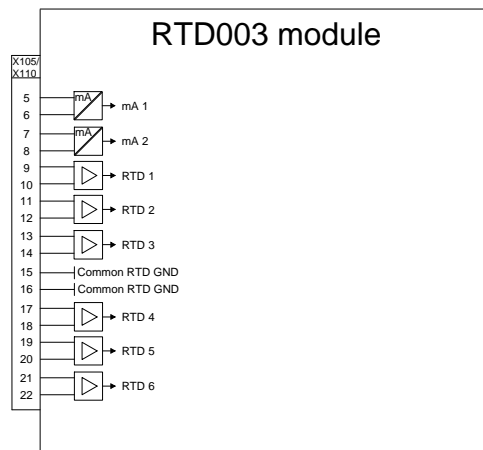


Figure: Optional RTD0003 module (slot X105 or slot X110)

PREPARED <b>Charles Chen</b>	CONCERNING		NAME
CHECKED	TOLERANCES		<b>620 SERIES OPTIONAL MODULE</b>
APPROVED <b>Kevin Hou</b>	SCALE	PROJ	SHEET
<b>Markus Kortesuoma</b>	DEPT.	DRAWING NO <b>2RJA018559</b>	REVISION <b>A</b>
<b>ABB</b> Distribution Automation			