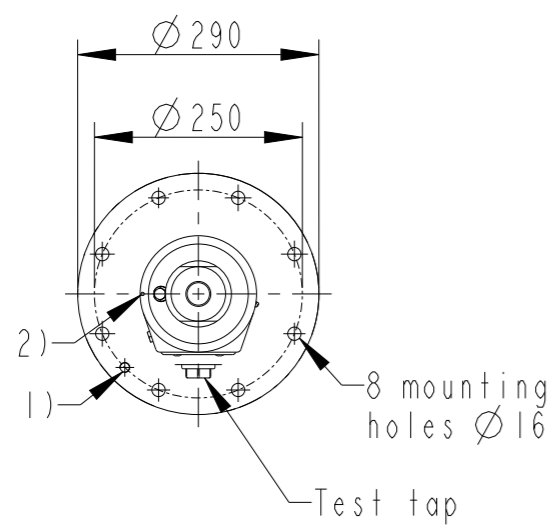
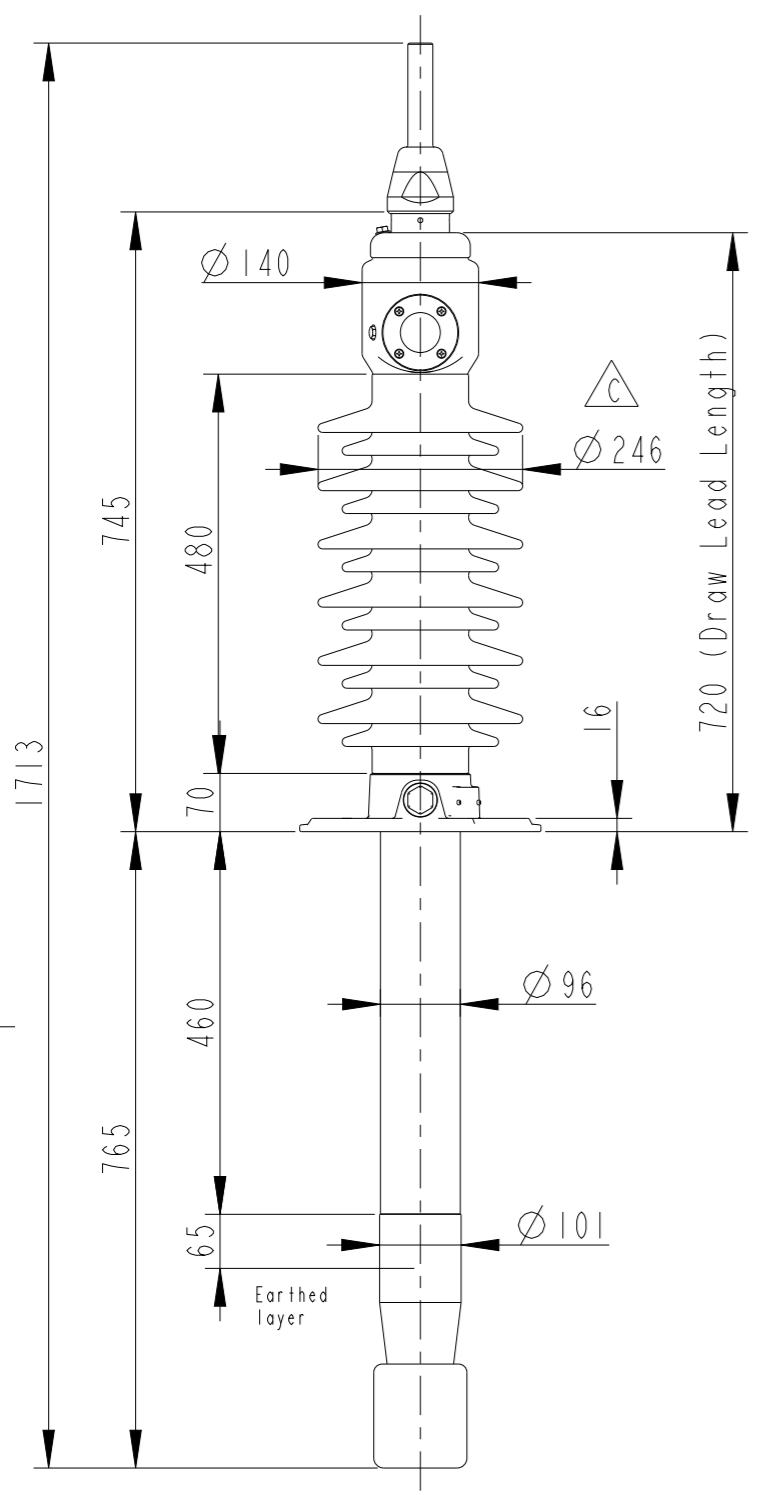


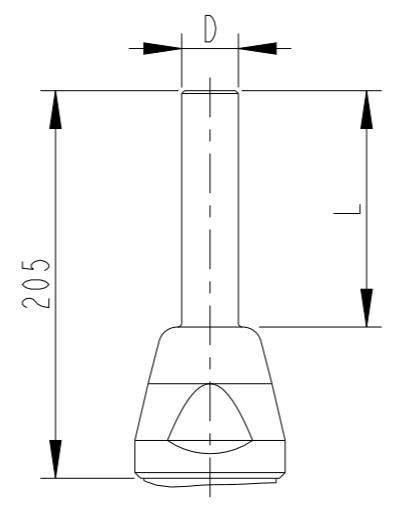
This document is issued by means of a computerized system. The digitally stored original is electronically approved. The approved document has a date entered in the "Approved"-field. A manual signature is not required.

We reserve all rights in this document and in the information contained therein. Reproduction, use or disclosure to third parties without express authority is strictly forbidden.

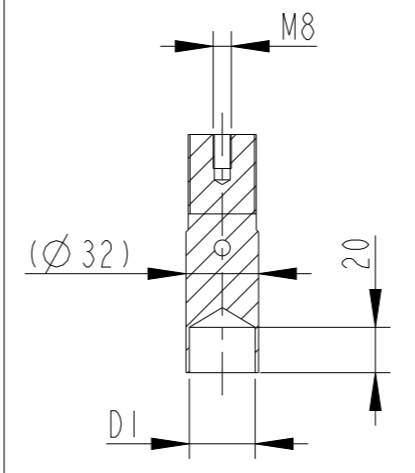
Revision	Revision text
C	Bushing, Ordering data & Dims updated.



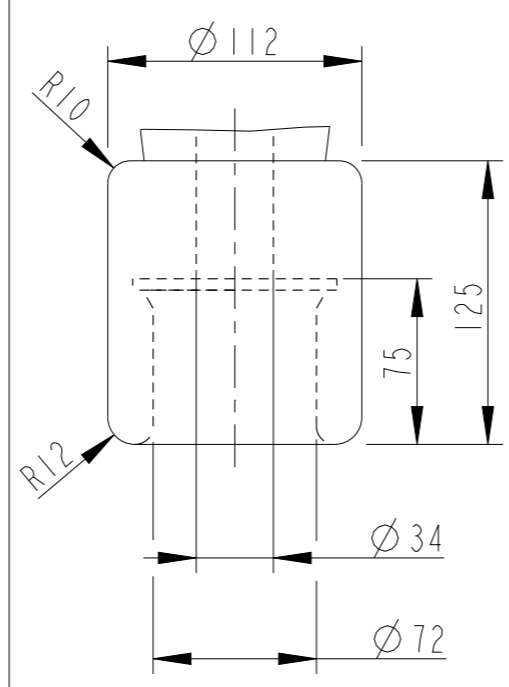
**OUTER TERMINAL**



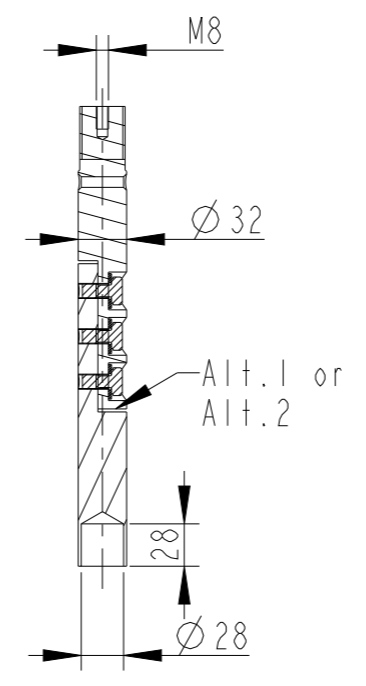
**INNER TERMINAL FOR STRANDED CABLE**



**END SHIELD**



**SOLID ROD CONNECTOR**



The solid rod can be divided either:  
 Alt.1: 20mm below the bushing flange or  
 Alt.2: 20mm below the upper end of the bottom porcelain

**Bushing Data:**

Rated Voltage	52	kV
Phase-to-Earth Voltage	30	kV
Dry Lightning Impulse 1,2/50µs	250	kV
Wet power frequency AC	105	kV
Routine test 1min dry 50Hz	120	kV
Rated Current	1250	A
Creepage Distance	1500±50	mm
Creepage Distance Protected	580	mm
Mass	39	kg

**Ordering Data:**

BUSHING	COLOUR	AIR INSULATOR
LF123169-M	BROWN	
LF123169-N	LIGHT GREY	
LF123169-HM	BROWN	Horizontal 45°-90°
LF123169-HN	LIGHT GREY	Horizontal 45°-90°

OUTER TERMINAL	Material	D	L
LF 170 002-B	Cu Alloy	Ø 30	125
LF 170 001-B	Al	Ø 30	125

OTHER TYPES ON REQUEST

INNER TERMINAL FOR STRANDED CABLE	Material	D	L
For brazing	Conductor area	DI	
LF 170 011-T	up to 285mm²	Ø 29	
LF 170 011-V	Undrilled with pilot hole	Ø 5	

SOLID ROD CONNECTOR	Material
LF 170 052 -BG for Alt.1	Cu
LF 170 052 -BE for Alt.2	Cu

- 1) M12 (For Earthing)
- 2) Ø 4 Oil connection hole (only valid for horizontal mounting)

ABB		Ludvika, Sweden	
No.	Um	kV Ir	A 50/60 Hz
BL	kV SIL	kV AC	kV
M	kg L	mm	✓
C1	pF	Tan δ	x
C2	pF	Tan δ	x

Approved 2021-09-22	Document Kind Assembly Drawing	Based on doc. id	Work order id	Project id
Company ABB Technology Ltd	Title, Supplementary title GOB 250-1250-0.5			
Responsible Department SEABB-9AAE300824	With oil level gauge. Long end shield.			
<b>ABB</b>	Document id 2751369-180	Status Released	Revision C	Iteration 1/1