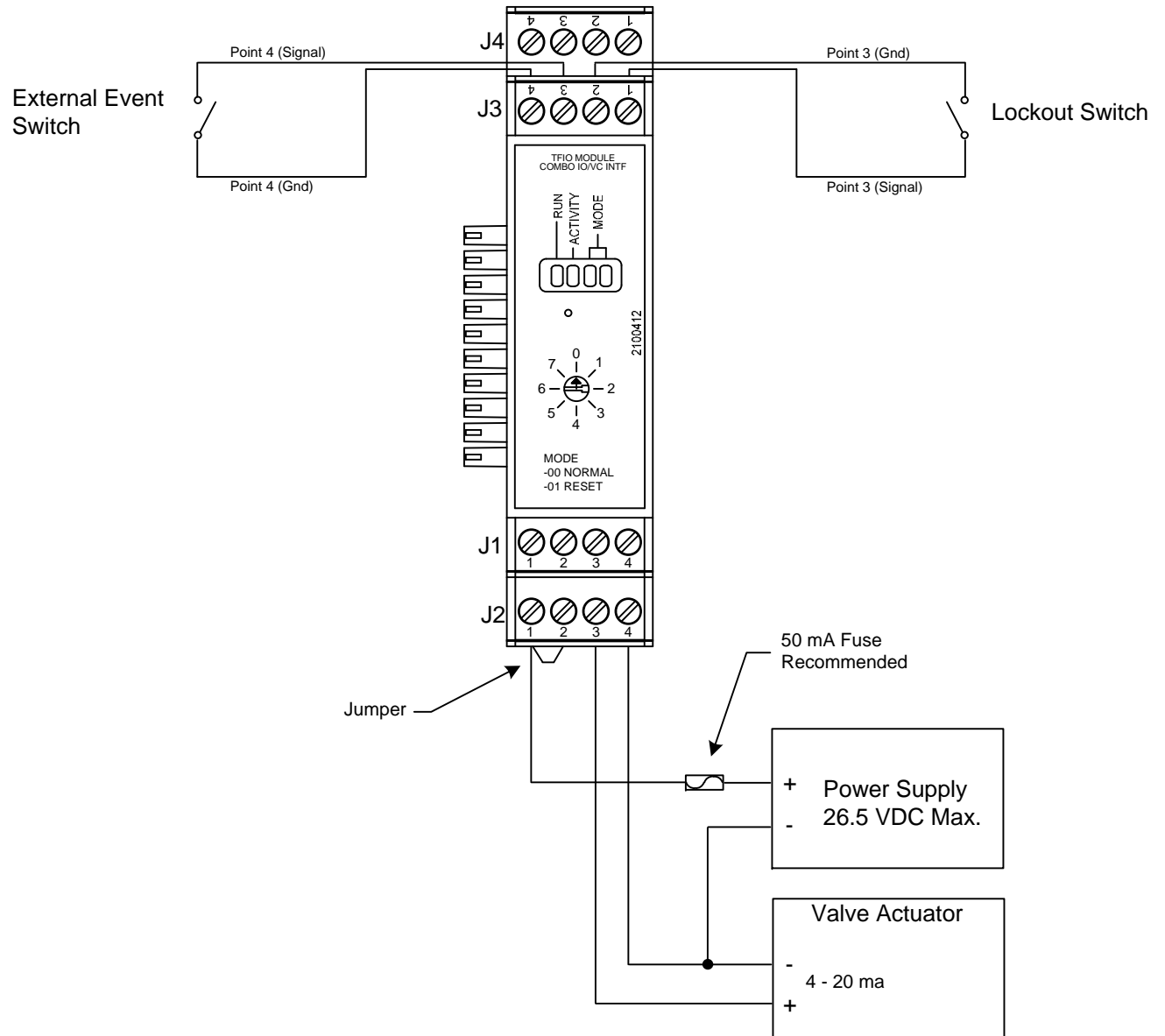


NOTES:

1. The 1st valve control module is address '0', 2nd module is address '1', etc.
2. 'Local Lockout' activated by closed contact.
3. 'External Event' activated by closed contact.
4. LED Indicators:
 Run LED – Blinking indicates on-board PIC running.
 Activity LED – Blinking indicates buss activity.
 Mode LED – 00 = Normal 01 = Reset
5. LED Operation:
 Register 0.7.7 = 0 – Power Save Mode (LEDs off when MMI disconnected)
 Register 0.7.7 = 1 – LEDs on all the time.



	TOTALFLOW	ACTION	DOC TYPE	TITLE	DWG NO.	REV	SHEET
	Products	L16415	UD	TFIO MODULE (COMBO IO/VC) AO VALVE CONTROL (EXTERNAL PWR)	2101837	AA	1 OF 1