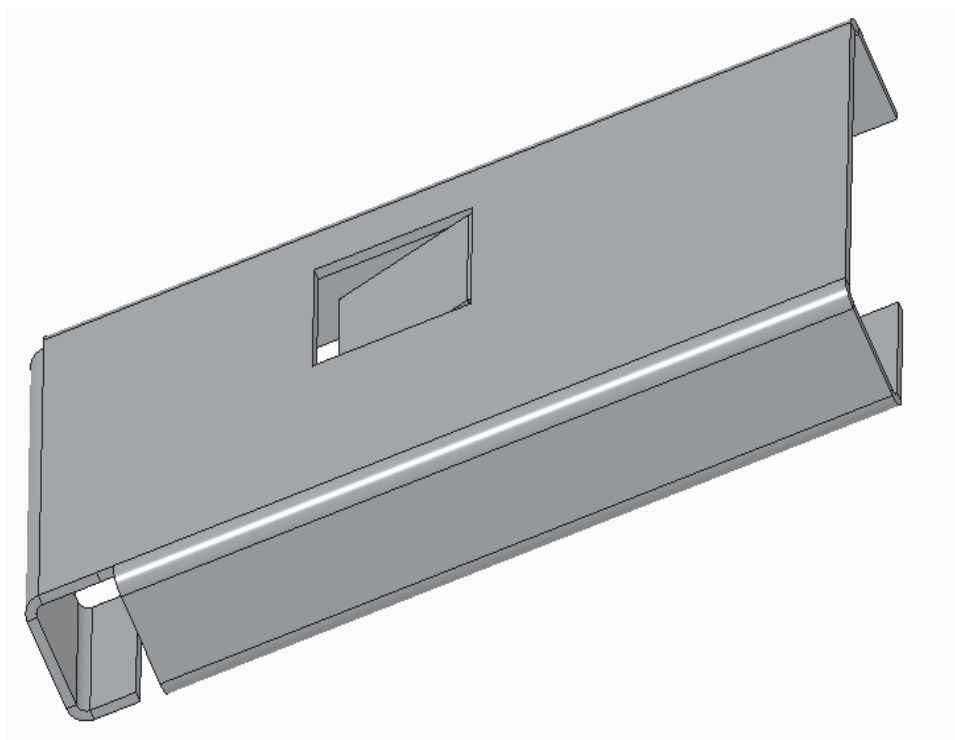


SPRING CLIPS Installation

AKD-6 EntelliGuard R RETROFILL*

Installation Guide



Overview

The original EntelliGuard R Retrofill circuit breakers for AKD-6 switchgear were equipped with a pullout tab on the left side of the Racking dashboard which activated levers on both sides of the breaker to lift & defeat the rail latch in the AKD-6 compartment. These breakers were not capable of being locked OFF/OPEN using the original AKD-6 compartment mounted Kirk key interlock. The latest models are now capable of working with the original Kirk Key interlock scheme. On this new model 2 design, the pull-out tab and dual side levers have been removed. Instead, the rail latches are permanently defeated in the AKD-6 compartment by installation of two spring clips as shown below. The pull-out tab slot is blocked by steel in the racking dashboard. A left-side Kirk Key interlock pin & lever are found in a similar location as on the old legacy AKR-#A-30/50/T50 breaker.

Install the (2) spring clips as shown on this instruction sheet. Two breaker loading tools are given with each breaker for use in the new breaker loading process. These loading tools are shipped along with the breaker. Please refer to **DEH-41548 EntelliGuard R Circuit Breaker Retrofill AKD-6 Installation Manual** for detailed information on breaker installation procedure using loading tools (2200045171P) .

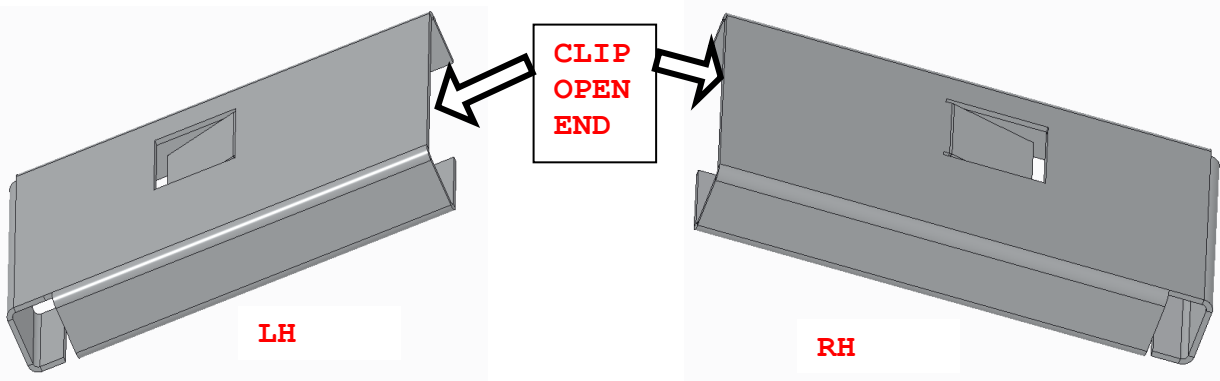
Installing the Model 2 EntelliGuard R Circuit Breaker into AKD-6 Switchgear

1. Prepare compartment by installing (2) spring clips.
2. Prepare breaker: Rotate racking shaft CCW until racking cams are in the fully Disconnected position.
3. Open door & Pull out the two rails to their full extension.
4. Verify inner moveable housing is also fully outward about 4.5”.
5. Install stop tools to each side of inner housing and push inner housing in until further motion is stopped by the tools.
6. Install breaker into rail slots
7. Push breaker & two slide rails fully inward and toggle the lock lever on each rail to the vertical locked position.
8. Remove & store the two tools using the key slots on the tool and a screw & tube spacer inboard of each breaker side frame.
9. Push the breaker & inner housing in until the racking cams engage the racking pins in the compartment.
10. Close & latch the compartment door; then rack in breaker.

Installation of Spring Clips for Model 2 (800 & 1600A) and all 2000A EntelliGuard R Retrofill Circuit Breakers into AKD-6 Switchgear.

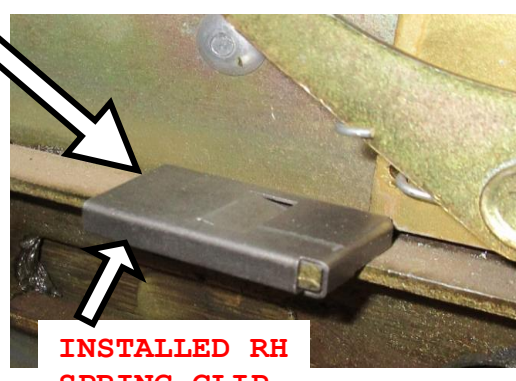
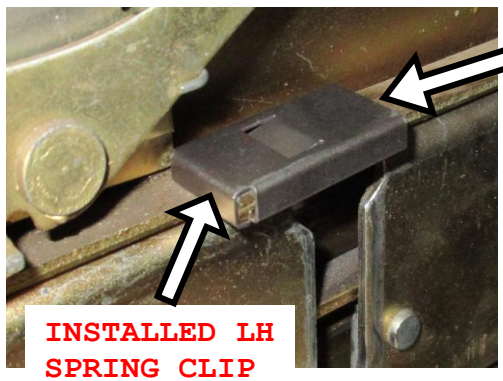
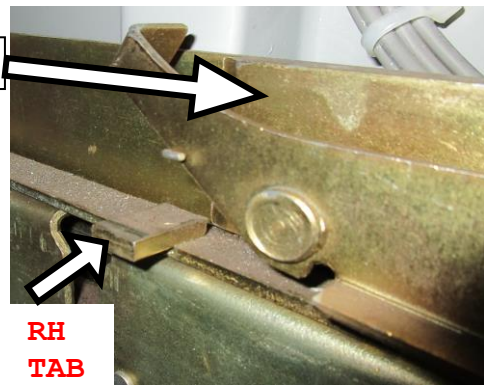
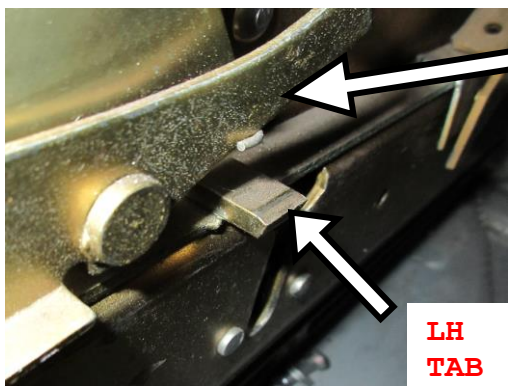
1. Spring clips should be installed before installing a breaker in the AKD-6 compartment. Detailed instructions on AKD-6 retrofill breaker installation are provided in DEH41548 – AKD-6 Instruction Manual.
2. Install Spring Clip, RH (2200123529P) on right hand side stationary rail tab & Spring Clip, LH (2200123530P) on left hand side stationary rail tab by sliding the clip with its open end facing the tabs. Slide until a ‘click’ is heard. Once installed, clip cannot be removed. These clips permanently defeat the rail latch. Fig. 1 shows tabs before and after installing a spring clip.

Fig. 1 . AKD-6 Stationary Rail Tabs for Mounting Spring Clips



LH side Stationary Rail

RH side Stationary Rail



These instructions do not cover all details or variations in equipment nor do they provide for every possible contingency that may be met in connection with installation, operation, or maintenance. Should further information be desired or should particular problems arise that are not covered sufficiently for the purchaser's purposes, the matter should be referred to the ABB Inc.

—
ABB Inc.
305 Gregson Drive
Cary, NC 27511.
electrification.us.abb.com

—
We reserve the right to make technical changes or modify the contents of this document without prior notice. With regard to purchase orders, the agreed particulars shall prevail. ABB Inc. does not accept any responsibility whatsoever for potential errors or possible lack of information in this document.

We reserve all rights in this document and in the subject matter and illustrations contained therein. Any reproduction or utilization of its contents – in whole or in parts – is forbidden without prior written consent of ABB Inc.
Copyright© 2019 ABB
All rights reserved