

Tmax molded case circuit-breakers

Tmax T6

Compliance with Standards

UL489
CSA C22.2 No. 5.1
IEC 60947-2
EC Directive:
- "Low voltage directives" (LVD) no. 73/23 EEC
- "Electromagnetic compatibility directive" (EMC) no. 89/336 EEC

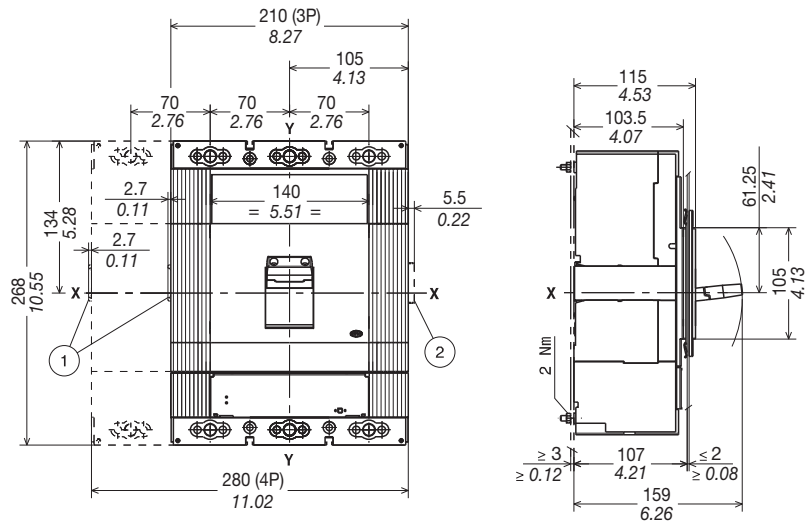


Type of circuit-breaker		Tmax T6			
		800			
Frame		N	S	H	L
Rated ultimate short-circuit breaking capacity, Icu					
(AC) 50-60 Hz 240 V	[kA]	65	100	200	200
(AC) 50-60 Hz 277 V	[kA]	-	-	-	-
(AC) 50-60 Hz 347 V	[kA]	-	-	-	-
(AC) 50-60 Hz 480 V	[kA]	35	50	65	100
(AC) 50-60 Hz 600Y/347 V	[kA]	-	-	-	-
(AC) 50-60 Hz 600 V	[kA]	20	25	35	42
(DC) 250 V-2 poles in series	[kA]	-	-	-	-
(DC) 500 V-2 poles in series	[kA]	35	35	50	65
(DC) 500 V-3 poles in series	[kA]	-	-	-	-
(DC) 600 V-3 poles in series	[kA]	20	20	35	50
Trip units:					
T fixed, M fixed (10xIn) TMF			-		
T adj., M fixed (10xIn) TMD			-		
Thermomagnetic T adj., M adj. (5...10xIn) TMA			•		
T adj., M fixed (3xIn) TMG			-		
T adj., M adj. (2.5...5xIn) TMG			-		
Magnetic only M adjustable (6...12xIn) MA			-		
Electronic PR221DS			•		
PR222DS/P			•		
PR222DS/PD-A			•		
Versions				F-W	
Fixed (F)				F-FC CuAl	
Terminals Plug-in (P)				-	
Withdrawable (W)				F-FC CuAl EF-ES-R	
Fixing on DIN rail				-	
Mechanical life	[No. operations /hourly oper.]			20000/120	
Electrical life (at 415 V)	[No. operations /hourly oper.]			5000/60 (7000/60 for 600A)	
Basic fixed dimensions	3/4 pole	W [mm]		210/280	
		D [mm]		103.5/103.5	
		H [mm]		268/268	
Weights	fixed 3/4 pole	[kg]		9.5/12	
	plug-in 3/4 pole	[kg]		-	
	Withdrawable 3/4 pole	[kg]		12.1/15.1	

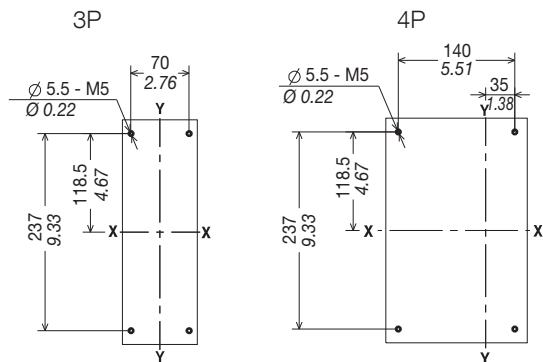
Tmax molded case circuit-breakers

Dimensions T6 series

Overall dimensions T6



Drilling template for support sheet



Contact us

Canada

ABB Inc.

Low Voltage Products

2117 – 32nd Avenue

Lachine, QC, CANADA H8T 3J1

Tel.: 514-420-3100

Fax: 514-420-3137

Toll Free: 1-800-567-0283

www.abb.ca

While all care has been taken to ensure that the information contained in this publication is correct, no responsibility can be accepted for any inaccuracy. The Company reserves the right to alter or modify the information contained herein at any time in the light of technical or other developments. Technical specifications are valid under normal operating conditions only. The Company does not accept any responsibility for any misuse of the product and cannot be held liable for indirect or consequential damages.

© Copyright 2011 ABB Inc. All rights reserved.

