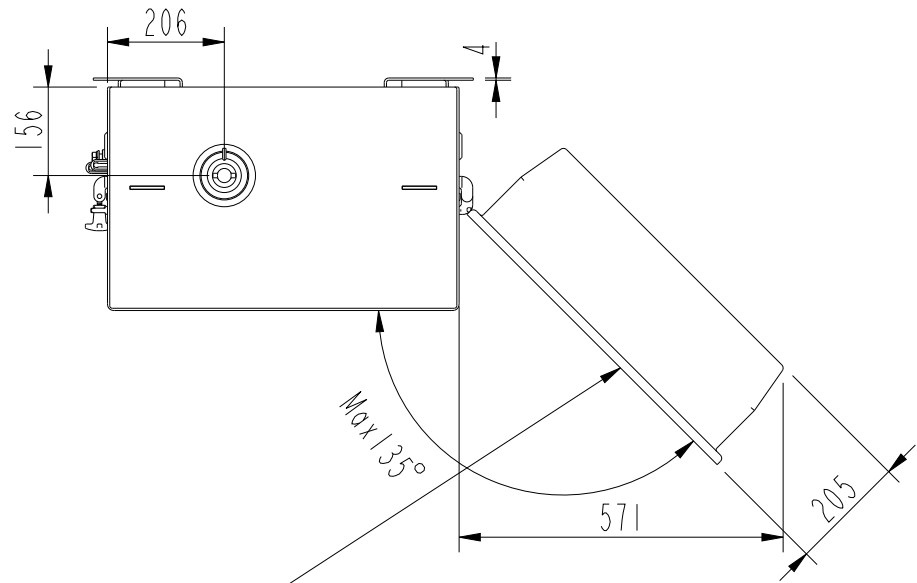
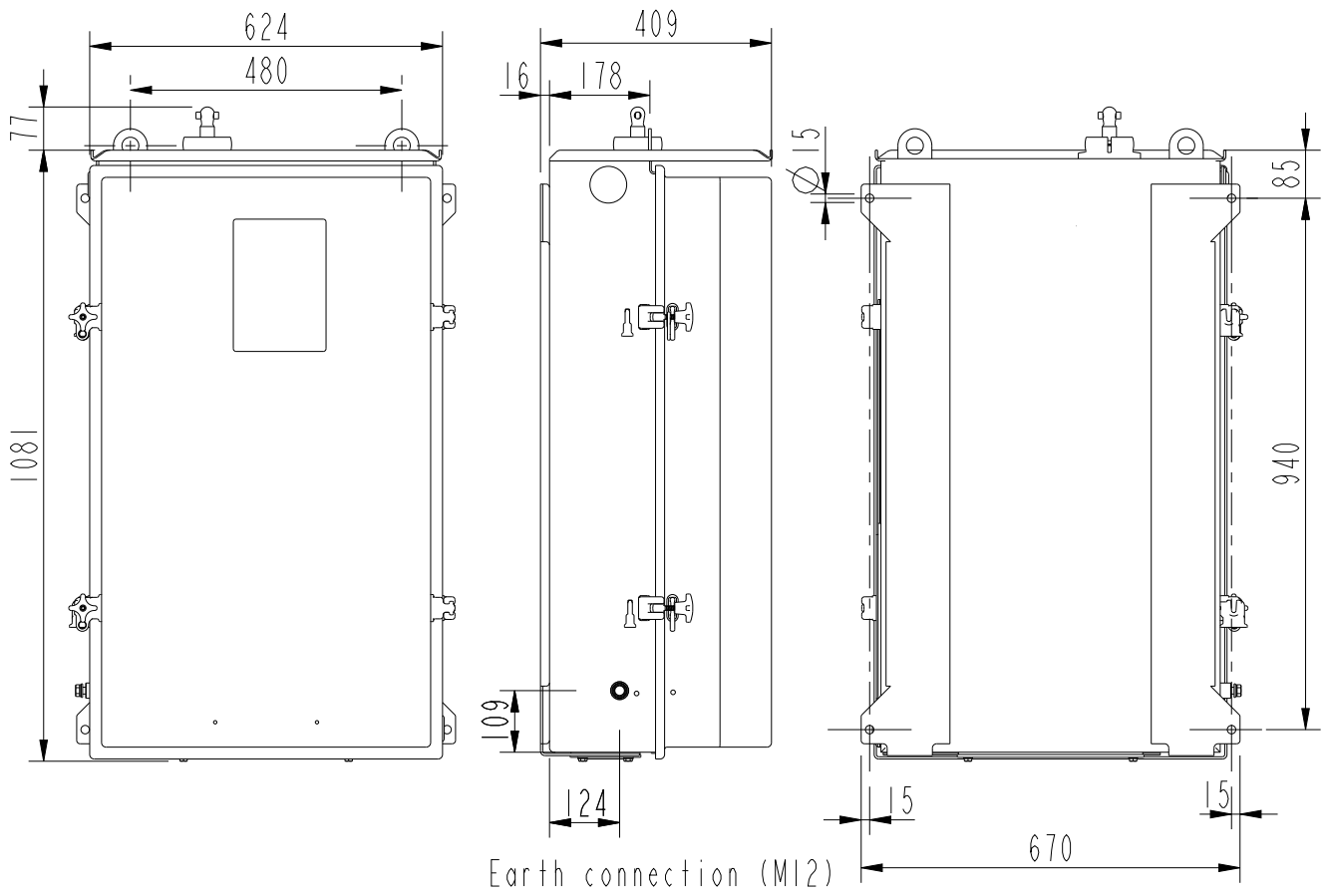


This document is issued by means of a computerized system.  
 The digitally stored original is electronically approved. The  
 approved document has a date entered in the 'Approved' field.  
 A manual signature is not required.



Left hinged possible.

We reserve all rights in this document and in the information contained therein. Reproduction, use or disclosure to third parties without express authority is strictly forbidden. © Copyright 2015 ABB. All rights reserved.

Date / Approved  
 2019-11-04

Responsible department  
 PGCO/TK

Document Kind  
 DIMENSION DRAWING



Title  
 BUE2 Hinged on plate support

Document Id.  
 1ZSC004106-AAJ

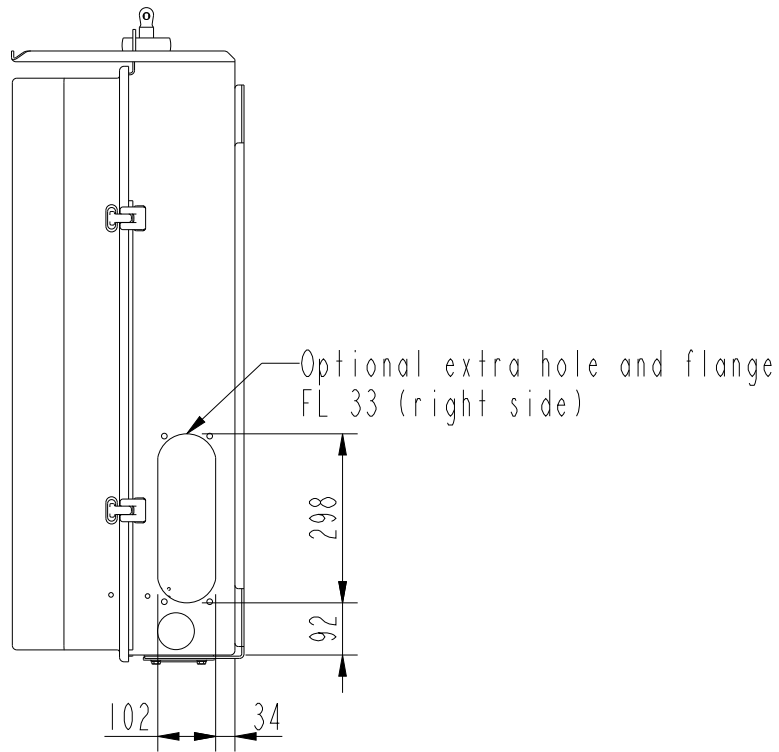
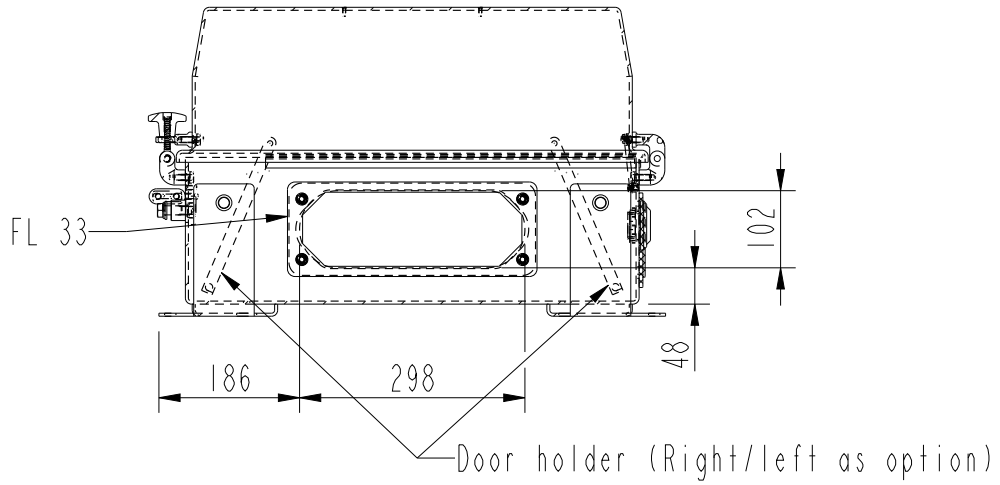
Revision  
 B

Language  
 82

Sheet  
 1/2

This document is issued by means of a computerized system.  
 The digitally stored original is electronically approved. The  
 approved document has a date entered in the 'Approved' -field.  
 A manual signature is not required.

We reserve all rights in this document and in the information contained  
 therein. Reproduction, use or disclosure to third parties without express  
 authority is strictly forbidden. © Copyright 2015 ABB. All rights reserved.



Date / Approved  
 2019-11-04

Responsible department  
 PGCO/TK

Document Kind  
 DIMENSION DRAWING



Title  
 BUE2 Hinged on plate support

Document Id.  
 1ZSC004106-AAJ

Revision  
 B

Language  
 82

Sheet  
 2/2