

INSTRUMENT TRANSFORMERS

# VIZ-75 and VIZ-11

## Indoor voltage transformers



### Product features

- VIZ-75: 8.7 kV, 75 kV BIL
- VIZ-11: 15 kV, 110 kV BIL
- Indoor, 60 Hertz
- Primary volts: 2400 - 14400
- Average operating temperature: -5°C to 55°C
- Maximum operating temperature: 65°C
- UL Recognized Component, File No. E148620

### Application

The VIZ-75 and VIZ-11 indoor voltage transformers are designed for service in metalclad switchgear and are used for metering, relaying, or control power. Both units are available in single, double, and tapped secondary designs with two accuracy and thermal rating options.

### Construction features

The primary and secondary coils are wound using special winding and shielding techniques for improved voltage stress distribution. The coils are designed to withstand continuous operation at either 1.1 or 1.25 times the line-to-line voltage level for Z burden units and 1.9 times the line-to-ground voltage level for Y burden units.

The VIZ-75 and VIZ-11 indoor voltage transformers are designed for service in metalclad switchgear and are used for metering, relaying, or control power.

Each coil is insulated with mylar film to provide a high dielectric strength between layers. The coils and core are combined to create a complete winding structure that is assembled to a support frame. The entire assembly is vacuum cast in polyurethane for added insulation and protection.

### Fuse classifications

These units are provided with three fuse classifications: mounted fuse with hardware, unfused with hardware, or unfused without hardware. Optional fuse kits are offered to convert unfused styles to fused styles.

### Mounting

The VIZ-75 and VIZ-11 can be mounted in upright, cantilever, or upside-down positions.

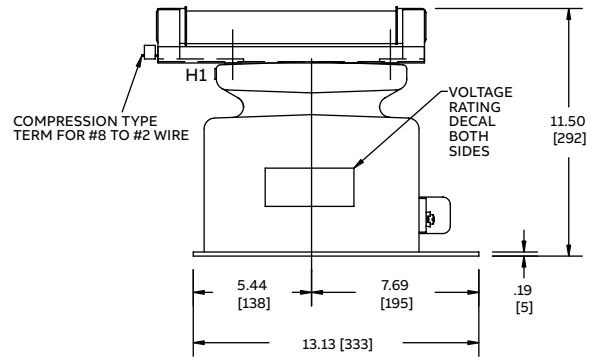
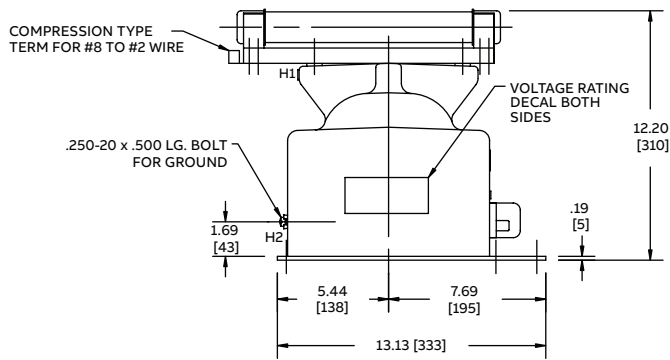
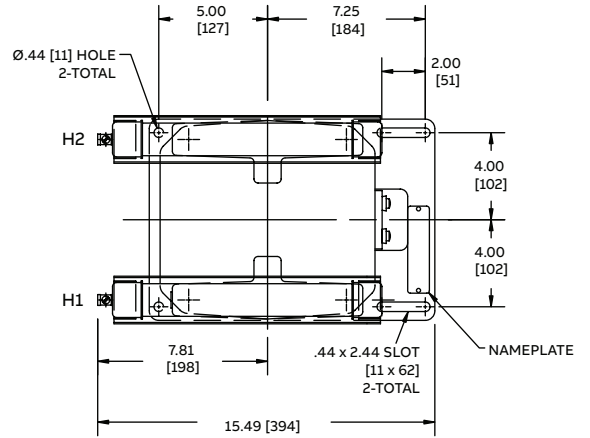
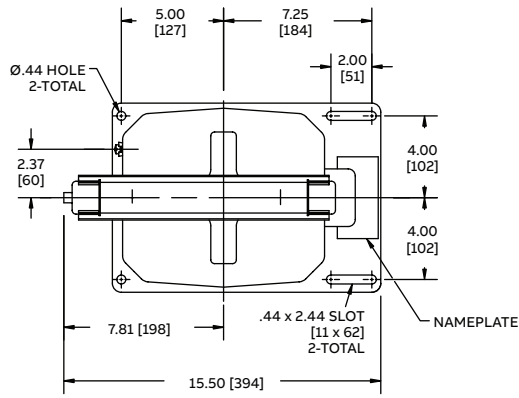
### Test reports

Test reports are stored electronically and can be e-mailed in various formats at the time of shipment.

### Standards

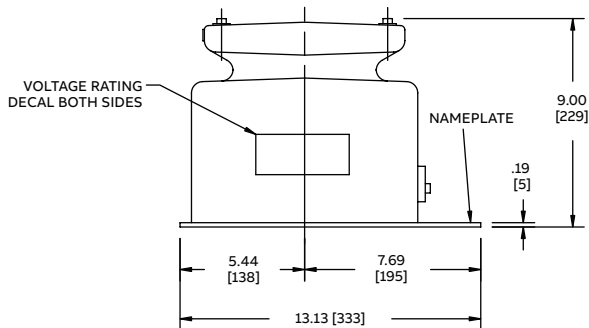
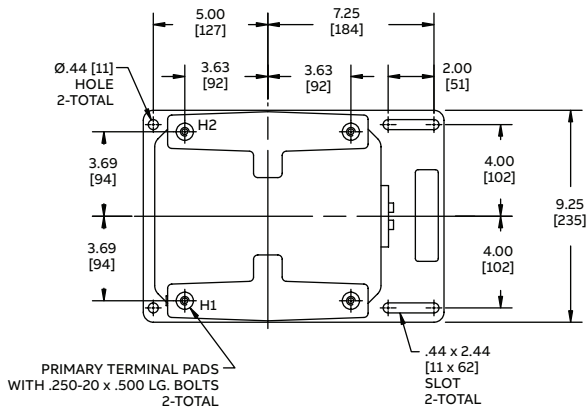
This unit can be tested to all applicable IEEE, CSA, or IEC standards as requested.

**Unit dimensions (inches [mm])**

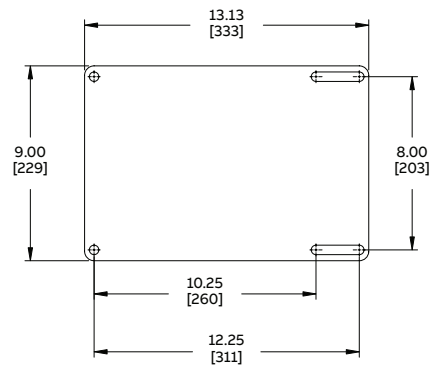


**Fused with one fuse (approximate weight 67 lbs.)**

**Fused with two fuses (approximate weight 69 lbs.)**



**Unfused (approximate weight 65 lbs.)**



**Baseplate dimensions**

**Selection guide: line-to-line units**

Primary voltage	Secondary voltage	Winding ratio	IEEE metering accuracy	Rated voltage factor	Frequency	Style number			
						Unfused with no provision for fuse mounting	Unfused with provision for fuse mounting	Fuse clips, no fuses	Two fuses
<b>VIZ-75 line-to-line</b>									
2400/4160Y	120	20:1	0.3Z	1.1	60	7525A66G01	7525A70G01	9628A17G01	7525A67G01
4200/7280Y	120	35:1	0.3Z	1.1	60	7525A66G02	7525A70G02	9628A17G02	7525A67G02
4800/8320Y	120	40:1	0.3Z	1.1	60	7525A66G03	7525A70G03	9628A17G03	7525A67G03
7200/7200Y	120	60:1	0.3Z	1.1	60	7525A66G04	7525A70G04	9628A17G04	7525A67G04
<b>VIZ-11 line-to-line</b>									
7200/12470Y	120	60:1	0.3Z	1.1	60	7525A66G05	7525A70G05	9628A17G05	7525A67G05
7620/13200Y	120	63.5:1	0.3Z	1.1	60	7525A66G06	7525A70G06	9628A17G06	7525A67G06
8400/14560Y	120	70:1	0.3Z	1.1	60	7525A66G07	7525A70G07	9628A17G07	7525A67G07
12000/12000Y	120	100:1	0.3Z	1.1	60	7525A66G08	7525A70G08	9628A17G08	7525A67G08
13200/13200Y	120	110:1	0.3Z	1.1	60	7525A66G09	7525A70G09	9628A17G09	7525A67G09
14400/14400Y	120	120:1	0.3Z	1.1	60	7525A66G10	7525A70G10	9628A17G10	7525A67G10
2400/4160Y	120	20:1	0.3Z	1.1	60	-	7525A70G17	-	7525A67G17
12470/12470Y	120	103.9:1	0.3Z	1.1	60	7525A66G15	7525A70G27	9628A17G12	7525A67G38
13800/13800Y	120	115:1	0.3Z	1.1	60	-	7525A70G37	9628A17G15*	7525A67G43
13800/13800Y	115	120:1	0.3Z	1.1	60	7525A66G11	-	-	7525A67G58
10000/10000Y	120	83.33:1	0.3Z	1.1	60	-	7525A70G28	-	7525A67G35

\* Rated voltage factor: 1.25

**Selection guide: for line-to-ground units**

Primary voltage	Secondary voltage	Winding ratio	IEEE metering accuracy	Rated voltage factor	Frequency	Style number	
						One fuse	Unfused with provision for fuse mounting
<b>VIZ-75 line-to-ground</b>							
2400/4160GY	120	20:1	0.3Z	1.1	60	7525A68G01	7525A71G01
4200/7280GY	120	35:1	0.3Z	1.1	60	7525A68G02	7525A71G02
4800/8320GY	120	40:1	0.3Z	1.1	60	7525A68G03	7525A71G03
7200/7200GY *	120	60:1	0.3Z	1.1	60	7525A68G04	7525A71G04
<b>VIZ-11 line-to-ground</b>							
14400/14400GY *	120	120:1	0.3Z	1.1	60	7525A68G10	7525A71G10
15000/15000GY *	120	125:1	0.3Z	1.1	60	7525A68G21	-
4200/7280GY	120	35:1	0.3Z	1.1	60	7525A68G31	-
10000/10000GY *	120	83.33:1	0.3Z	1.1	60	7525A68G36	-
13800/13800GY *	115	120:1	0.3Z	1.1	60	7525A68G44	-
7620/13200GY	208.75	63.5:1	0.3Z	1.1	60	7525A68G50	-
2400/4160GY	120	20:1	0.3Z	1.1	60	7525A68G55	-
13800/13800GY *	120	115:1	0.3Z	1.1	60	7525A68G61	-
7200/12470GY	120	60:1	0.3Z	1.1	60	7525A68G05	7525A71G05
7620/13200GY	120	63.5:1	0.3Z	1.1	60	7525A68G06	7525A71G06
8400/14560GY	120	70:1	0.3Z	1.1	60	7525A68G07	7525A71G07
12000/12000GY *	120	100:1	0.3Z	1.1	60	7525A68G08	7525A71G08
13200/13200GY *	120	110:1	0.3Z	1.1	60	7525A68G09	7525A71G09

Additional styles available upon request, including 50 Hz styles. Contact your ABB sales representative or call +1-252-827-3212 for more information.

Thermal rating: 1500 VA @ 30° C, 1000 VA @ 55° C

\* Accuracy defined at rated line voltage. All dielectric tests per nominal operating voltage according to IEEE C57.13-2016, table 2.

**Optional accessories**

Fuse kits to convert unfused VIZ-75 or VIZ-11 to fused style:

- For line-to-line units:  
Fuse kit (two fuses and hardware) 7527A98G01
- For line-to-ground units:  
Fuse kit (one fuse and hardware) 7527A98G02

Replacement fuses:

- CLE-PT, 0.5, 15.5 kV: 50C5225G03; CLE-PT, 1.0, 15.5 kV: 50C5225G08

---

ABB Inc.  
3022 NC 43 North  
Pinetops, NC 27864  
Phone: +1 252 827 3212

[abb.com/mediumvoltage](http://abb.com/mediumvoltage)

---

We reserve the right to make technical changes or modify the contents of this document without prior notice. With regard to purchase orders, the agreed particulars shall prevail. ABB AG does not accept any responsibility whatsoever for potential errors or possible lack of information in this document.

We reserve all rights in this document and in the subject matter and illustrations contained therein. Any reproduction, disclosure to third parties or utilization of its contents – in whole or in parts – is forbidden without prior written consent of ABB AG.  
Copyright © 2021 ABB  
All rights reserved