

# FCAN-01 CANopen adapter module

## Quick installation and start-up guide

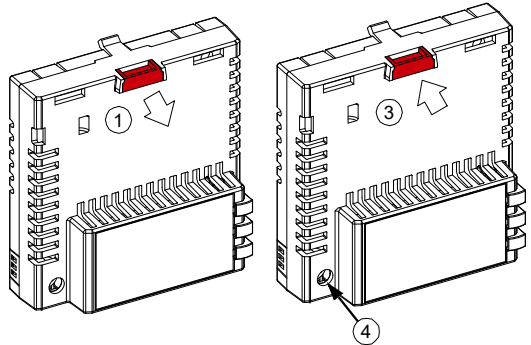
### Safety instructions



**WARNING!** Obey the safety instructions of the drive. If you ignore them, injury or death, or damage to the equipment can occur.

### Mechanical installation

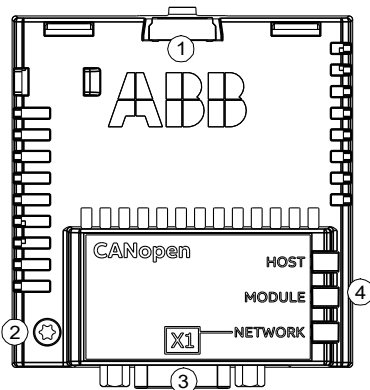
1. Pull out the lock.
2. Install the module carefully to an option module slot of the drive. See the drive hardware manual.
3. Push in the lock.
4. Tighten the screw to torque 0.8 N·m using a Torx TX10 screwdriver.



**WARNING!** Do not use excessive force, or leave the screw too loose. Over-tightening can damage the screw or module. A loose screw decreases the EMC performance, and can cause an operation failure.

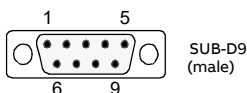
### Electrical installation

#### Layout of the module



No.	Description
1	Lock
2	Mounting and grounding screw
3	Bus connector [X1]
4	Diagnostic LEDs

## ■ Pin allocation for [X1]



SUB-D9  
(male)

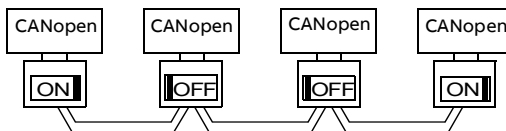
According to CANopen specification CiA 301.

Pin		Description
1	-	Not in use
2	CAN_L	CAN_L bus line
3	CAN_GND	CAN ground
4	-	Not in use
5	CAN_SHLD	Optional CAN
6	GND	Optional ground
7	CAN_H	CAN_H bus line
8	-	Not in use
9	CAN_V+	Not supported.

## ■ Bus termination

Bus termination is required to prevent signal reflections from the bus cable ends. The module is not equipped with internal bus termination. Therefore, the first and last nodes of the bus must be included with bus termination.

In the this diagram, the built-on terminations of the D-SUB connectors at the first and last nodes are switched on.



## Start-up

To control the drive with the adapter module, set at least the basic parameters listed in the table below. For full parameter descriptions, refer to the adapter module's user manual or to the drive's firmware manual.

### ■ Basic parameter settings

Index	Name	Value
20.01	Ext1 commands	Fieldbus A
22.11	Speed ref1 source	FBA A ref 1
28.11	Frequency ref1 source	FBA A ref 1
50.01	FBA A enable	Enable (or select the option slot in which the module is installed)
50.02	FBA A comm loss func	Fault
51.02	Node ID	Set the node address of the device.
51.03	Bit rate	Set the bit rate for the CANopen interface.
51.05	Profile	The ABB Drives communication profile is the default value.

To take the settings into use, validate and refresh the parameters with parameter 51.27 FBA par refresh.

## Further information

See the latest version of FCAN-01 CANopen adapter module user's manual (3AFE68615500 [English]) in ABB library ([www.abb.com/drives/documents](http://www.abb.com/drives/documents)).



FCAN-01 manual

For more information on ABB fieldbus options and protocols, see the fieldbus communications web page ([new.abb.com/drives/connectivity/fieldbus-connectivity](http://new.abb.com/drives/connectivity/fieldbus-connectivity)).



Fieldbus communications web page

[abb.com/drives](http://abb.com/drives)

© Copyright 2023 ABB. All rights reserved.  
Specifications subject to change without notice.



3AXD50000158195B

