

Product note

Bearings Dodge® ISNX Hydraulic

The Dodge ISNX hydraulic mounted spherical roller bearing, ideally suited for large bulk handling conveyors, features a patented integral hydraulic adapter mounting system that makes this bearing fast and easy to install and remove.

To install, simply slip the bearing on the shaft and apply hydraulic pressure to quickly mount the bearing into position. Once installed, the full shaft contact reduces or eliminates fretting corrosion. The bearing is removed by applying pressure to the dismount piston to push the bearing off the adapter sleeve. Normal installation or removal of the Dodge ISNX can be accomplished in 15 minutes or less, with no feeler gauges or special tools required.

Dimensionally interchangeable with SD 3100 style products, the Dodge ISNX hydraulic bearing is factory assembled, sealed and lubricated, and is shaft ready out-of-the box.

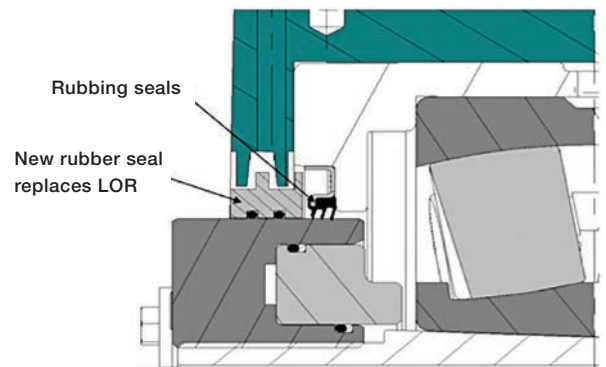
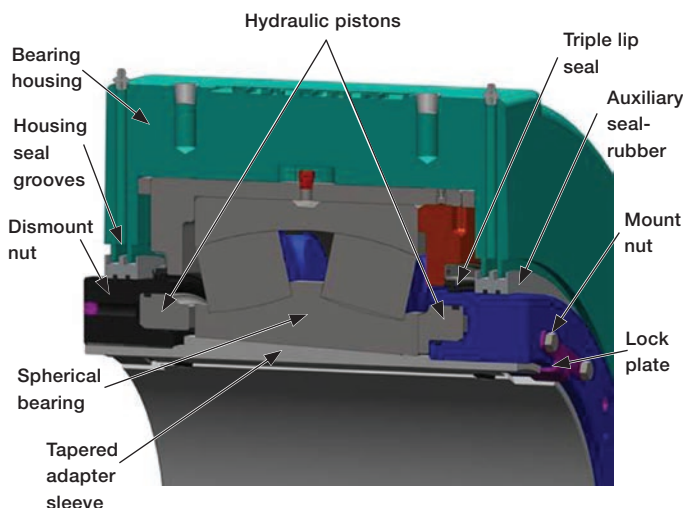
Dodge ISNX hydraulic features:

- Built in hydraulic mount and dismount nut
- Easy to install and remove with standard hydraulic pump
- Ready to install out-of-the box – no pieces or parts to put together
- Same mounting dimensions as SD 3100 style products
- Harsh duty, taconite style sealing system
- High strength ductile iron housing
- Available from 150 mm to 360 mm



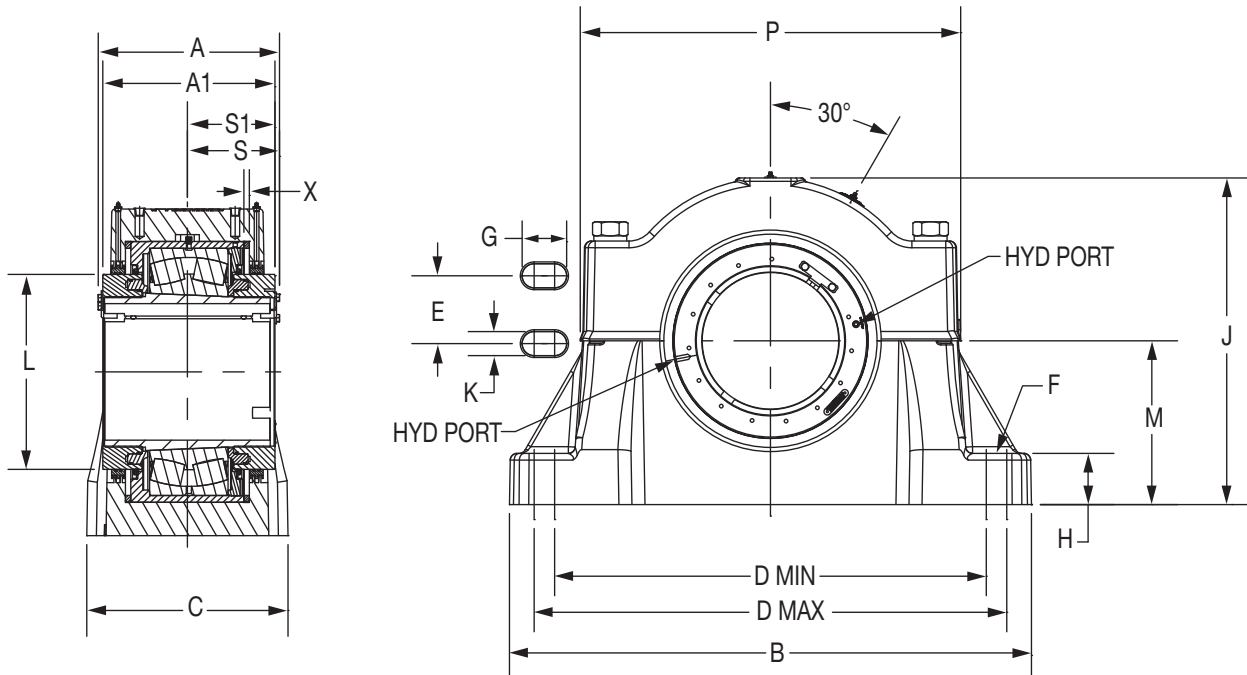
Dodge ISNX sealed inner unit:

- Totally sealed and factory greased
- Prevents contamination during replacement
- 1 part number for easy replacement
- Extends service life



The combination triple-lip and new rubber auxiliary LOR sealing system extends bearing service life.

ISNX
Large bore SD dimension plummer blocks



9AKK106532 EN 03-2015

Housing designation	Bearing series	Shaft size	Part no.	Description	Insert no.
3134	23134K	150mm	072919	P4B134-ISNX-150MR HYD	072895
3136	23136K	160mm	072920	P4B136-ISNX-160MR HYD	072896
3138	23138K	170mm	072921	P4B138-ISNX-170MR HYD	072897
3140	23140K	180mm	072922	P4B140-ISNX-180MR HYD	072898
3144	23144K	200mm	072923	P4B144-ISNX-200MR HYD	072899
3148	23148K	220mm	072924	P4B148-ISNX-220MR HYD	072900
3152	23152K	240mm	072912	P4B152-ISNX-240MR HYD	072901
3156	23156K	260mm	072913	P4B156-ISNX-260MR HYD	072902
3160	23160K	280mm	072914	P4B160-ISNX-280MR HYD	072903
3164	23164K	300mm	072915	P4B164-ISNX-300MR HYD	072904
3168	23168K	320mm	072916	P4B168-ISNX-320MR HYD	072905
3172	23172K	340mm	072917	P4B172-ISNX-340MR HYD	072906
3176	23176K	360mm	072918	P4B176-ISNX-360MR HYD	072907

Note: Dimensions are in mm

Shaft size	Series	Part no.	A	A1	A2	B	C	D		E	F bolts	G	H	J	K	L	L2	M	P	S	S1	X exp
								Min	Max													
150mm	3134	072919	255	241	155	510	180	424	436	100	24	34	70	360	28	253	269	170	416	124	117	20
160mm	3136	072920	266	253	161	530	190	444	456	110	24	34	75	380	28	265	283	180	438	132	125	20
170mm	3138	072921	269	255	168	560	210	474	486	120	24	34	80	400	28	278	296	190	458	134	127	20
180mm	3140	072922	285	271	170	610	230	503	517	130	30	42	85	426	35	285	303	210	470	138	131	20
200mm	3144	072923	295	278	176	640	240	533	547	140	30	42	90	451	35	311	328	220	500	144	135	20
220mm	3148	072924	317	300	189	700	260	593	607	150	30	42	95	486	35	311	329	240	530	155	147	20
240mm	3152	072912	335	318	197	770	280	642	658	160	36	50	100	546	42	337	354	260	618	167	159	20
260mm	3156	072913	337	320	202	790	280	662	678	160	36	50	105	583	42	363	381	280	619	172	163	20
280mm	3160	072914	351	334	209	830	310	702	718	190	36	50	110	618	42	389	406	300	683	179	170	20
300mm	3164	072915	367	350	213	880	330	742	758	200	36	50	115	663	42	415	432	320	721	183	175	20
320mm	3168	072916	387	366	222	950	360	802	818	220	36	50	120	697	42	440	457	340	756	193	182	20
340mm	3172	072917	385	368	225	1000	360	832	848	220	36	50	120	725	42	466	484	350	810	196	188	20
360mm	3176	072918	402	379	234	1040	360	862	878	220	36	50	120	741	42	469	487	360	823	204	193	20

Note: Dimensions are in mm