

# VB Series

Class I Division 2, Groups A, B, C and D hazardous location battery unit



## CLASSIFICATION

CLASS I

Division 2

Groups A, B, C, D

Contact your ABB sales representative to verify classification

## CERTIFICATIONS



UL844  
UL924

US  
LR111065

## FEATURES



nexus™

## Key features and benefits

### Housing

- Class I Division 2, Groups A, B, C and D
- Vandal-resistant UV stabilized polycarbonate lamp cover
- Front and back plates are of a heavy duty aluminum
- Stainless steel tamper-proof screws

### Mounting:

- Surface wall mount only
- Includes mounting lugs on each side of the housing
- Universal J-box mounting
- 1/2 inch entry on both sides and top of housing

### Lamp type

- Choice of MR16 LED lamp wattages

### Electronics

- Pulse plus charger
- Low voltage disconnect
- Automatic brownout protection
- Battery lock-out

- Fused output circuit
- Magnetic test switch
- Standard Advanced Diagnostics (non-audible)
- Optional Nexus® monitoring system
- 120/277 60Hz

### Battery type

- 6 or 12V lead-calcium battery

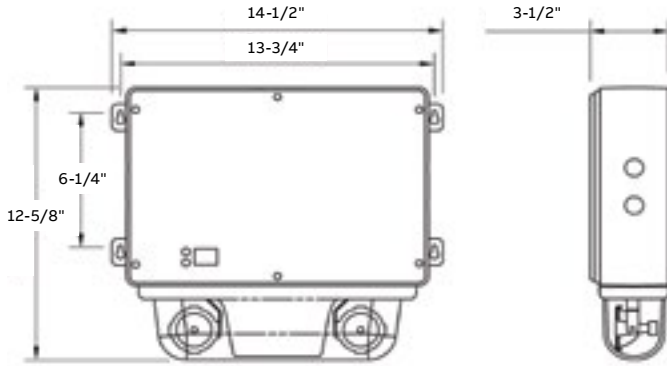
### Approvals

- CSA-US (to UL 924 standards)
- Evaluated to the UL 844 Standard for Class I Division 2, Groups A, B, C and D
- NEC, OSHA and NEMA compliant for above Classes and Groups
- Damp and wet location (50°F to 104°F)

### Warranty

- Unit has a five-year limited warranty

## Dimensions



### Temperature codes

Lamp rating <sup>1</sup>	Temperature code	Max. temperature	Replacement part #
6V-4W	T4A	120°C	580.0097
12V-4W	T4A	120°C	580.0080
12V-5W	T4A	120°C	580.0104
12V-6W	T4A	120°C	580.0106

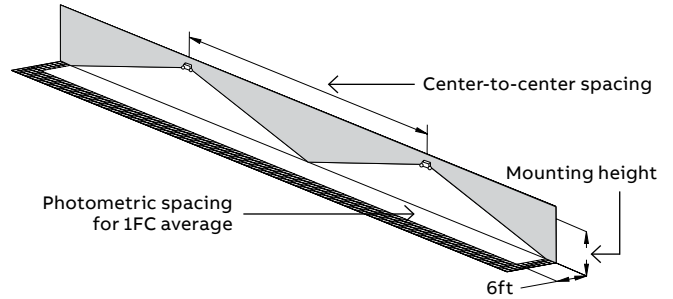
<sup>1</sup>Use qualified replacement lamps to avoid risk of over-heating

### Power consumption and unit rating

Model	AC specs	Battery capacity in watts					
		1-1/2 hrs	2 hrs	3 hrs	4 hrs	8 hrs	
VB0618	120/277VAC	0.17 / 0.09 Amp	18	12	9	-	-
VB1236		0.30 / 0.15 Amp	36	27	18	14	-
VB1260		0.30 / 0.15 Amp	60	45	30	24	12
VB1272		0.30 / 0.15 Amp	72	54	36	28	14

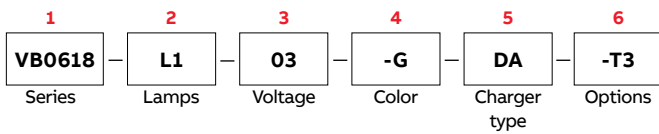
### Photometric performance

Lamp	Spacing center-to-center (feet)	
	7' mounting height	15' mounting height
L1	39'	34'
L7	49'	39'
L9	68'	54'
L10	89'	80'



## Numbering system

### Lighting fixture



### Lighting fixture

Part	Part number	Description
1 Series	<b>VB0618</b>	6V 18W lead-calcium
	<b>VB1236</b>	12V 36W lead-calcium
	<b>VB1260</b>	12V 60W lead-calcium
	<b>VB1272</b>	12V 72W lead-calcium
2 Lamps	<b>L1</b>	2 x MR16 LED 6V 4W
	<b>L7</b>	2 x MR16 LED 12V 4W
	<b>L9</b>	2 x MR16 LED 12V 5W
	<b>L10</b>	2 x MR16 LED 12V 6W
3 Voltage	<b>03</b>	120/277V 60 HZ
4 Color	<b>-G</b>	Gray housing
5 Charger type	<b>Blank</b>	Advanced Diagnostics non-audible
	<b>DA</b>	Advanced Diagnostics audible
	<b>NEX</b>	Nexus® wired
	<b>NEXRF</b>	Nexus® wireless
6 Options	<b>Blank</b>	No option
	<b>-T3</b>	Time delay 15 minutes