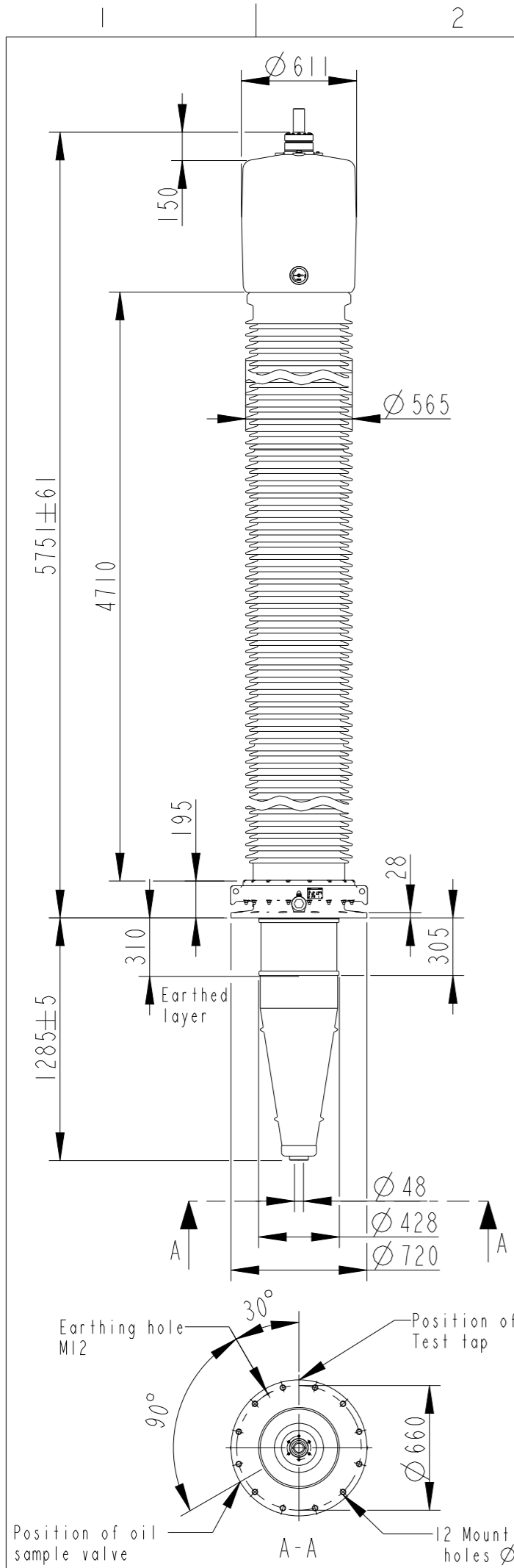


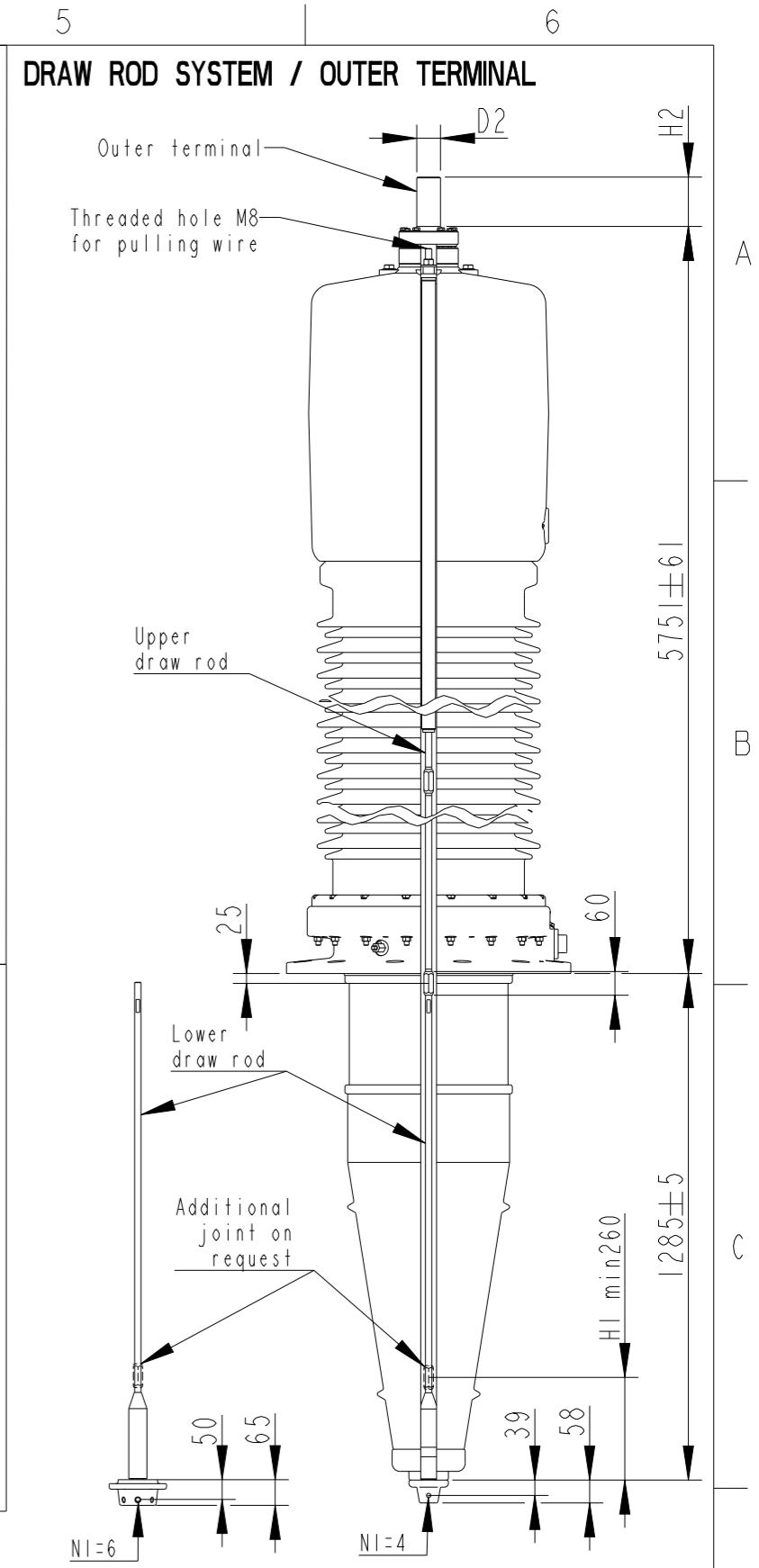
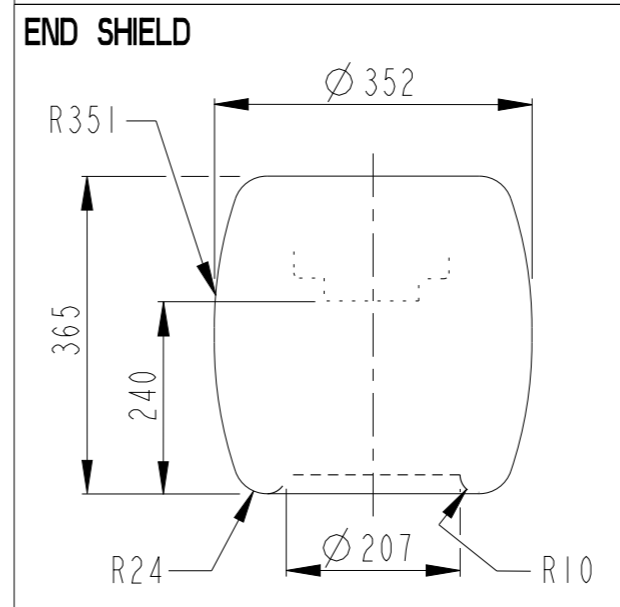
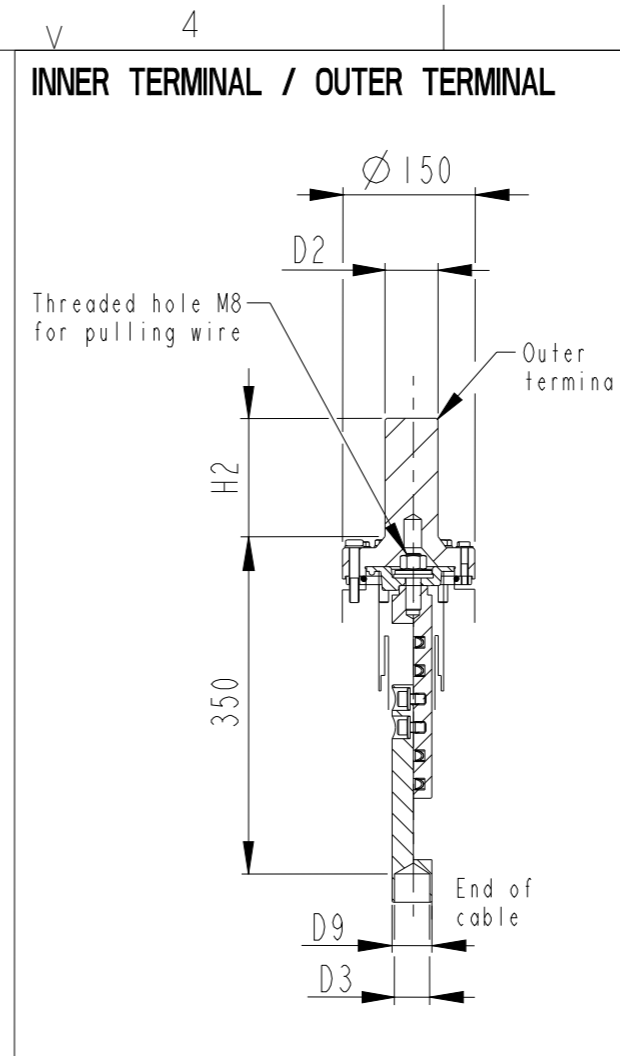
This document is issued by means of a computerized system. The digitally stored original is electronically approved. The approved document has a date entered in the "Approved"-field. A manual signature is not required.

The information contained in this document has to be kept strictly confidential. Any unauthorized use, reproduction, distribution or disclosure to third parties are strictly forbidden. ABB reserves all rights regarding Intellectual Property Rights. © Copyright 2013 ABB. All rights reserved.



Bushing Data:	
Rated Voltage	550 kV
Phase to-earth Voltage	318 kV
Dry Lightning Impulse 1,2/50µs	1550 kV
Wet Switching Impulse	1175 kV
Wet Power frequency AC	N/A kV
Routine test Imin dry 50Hz	750 kV
Rated Current	2500 A
Creepage Distance	18020 mm
Mass	1995 kg

Ordering Data:	
BUSHING IZSC902550-AAA	COLOUR AIR INSULATOR BROWN
OUTER TERMINAL	Max. Rated H2 Current (A) (mm)
LF170 073-A	Al 2500 125 60
LF170 073-B	Cu 4000 125 60
LF170 073-G	Cu/Ag 4000 125 60
LF170 073-L	Cu/Sn 4000 125 60
LF170 073-BA	Cu/Ag 3000 125 2"-12UN
LF170 073-AA	Cu 5000 125 96
END-SHIELD	EPOXY INSULATED
LF170 046-V	INSULATED WITH 3 mm PRESSBOARD
DRAW ROD SYSTEM	LOWER DRAW ROD WITH NI=4 OR NI=6
LF170 059	UPPER DRAW ROD
INNER TERMINAL	D3 D9 Cond.area Current (A)
LF170 056-E	0 *) 45 - - -
LF170 056-D	40 45 600 1600 1360
*) WITH PILOT HOLE D=5	



NI=Number of holes M12, equipped with thread insert with screw lock, depth 20, for cable lugs.

ABB		Ludvika, Sweden	
No.	Um/Uy	kV Ir	A 50/60 Hz
BL	kV SIL	kV AC	kV
M	kg L	mm	∠
C1	pF	Tan δ	x
C2	pF	Tan δ	x

Prepared	Rezhin Ismail	2017-07-10	Responsible department	PGCO/BK	Title	
Modified by	Rezhin Ismail	2017-07-19	Take over department		GOE 1550-1175-2500-0.3	
Approved by	Per Milwertz	2017-07-19	Used in product		GOE 1550-1175-2500-0.3	Language 82
Revision	G	Drawing display updated			Order	Sheet no.
Document no.					2751369-321	No. Shits. (1)

