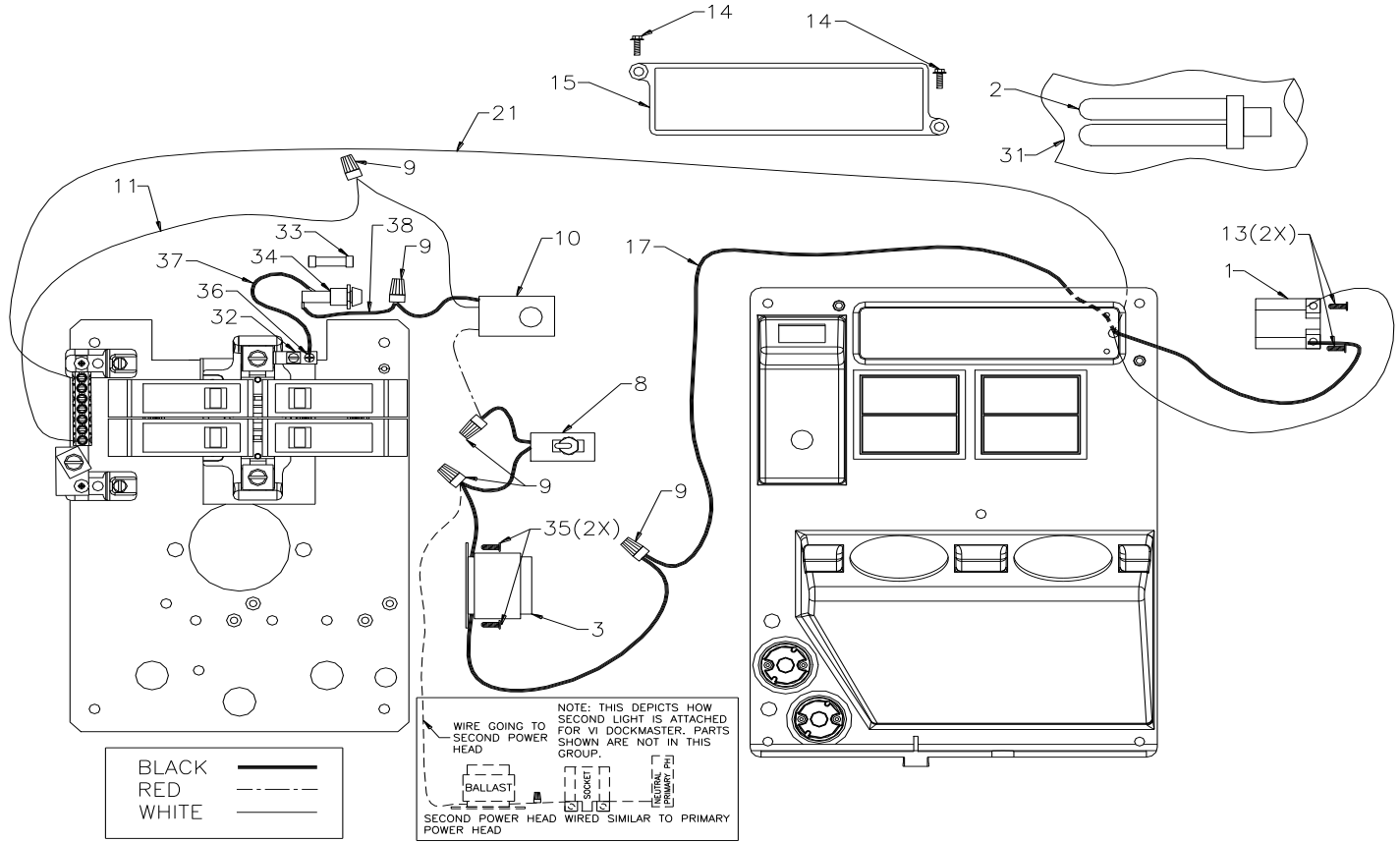


INSTALLATION INSTRUCTIONS FOR LIGHT AND PHOTOELECTRIC SWITCHES IN DOCKMATE/PARKMATE

Kits Covered: **VLIGHT Kit - Light Kit**
VAPE Kit - Photoelectric Cell Kit

VLIGHT Kit: Kit includes (1) lamp holder, (2) lamp, (3) ballast, (9) wire nuts 5X, (13) #8-18 screws 2X, (14) 10-32x3/8 SS bolt 2X, (15) light cover, (17) #18 black 14" wire, (21) #18 white 15" wire, (32) loop feed lug, (34) fuse holder, (33) fuse, (35) #6-32x3/8 screws 2X, (36) 10-32x38 bolt, (37) #18 black 12" wire, (38) #18 black 6"

VAPE Kit: kit includes (9) wire nuts 4X, (10) Photo electric switch, (11) #18 white 15" wire



VLIGHT Kit:

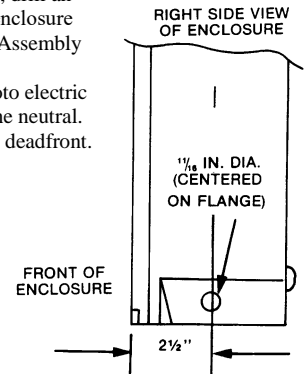
NOTE: not all components shown in drawing may be used.

1. Turn off power to unit.
2. Remove deadfront panel from enclosure, remove aluminum mounting plate.
3. Using mounting extrusions from the under side of the aluminum plate. Mount the ballast (3) with 2 (35) screws, when looking at the plate from the back, the ballast is mounted in the upper left hand corner.
4. Using the 2 mounting holes in the recessed area towards the top of the panel mount the lamp holder (1) with 2 (13) screws.
5. Mount the fuse holder (34) on the same side as the ballast but towards the bottom of the plate. (such that the wire connections are on the back of the plate)
6. Assemble (21) to lamp holder (1) rout wire through the hole in the recessed area and then attach wire to neutral. Assemble (17) to lamp holder (1) rout wire through the hole in the recessed area and then attach wire to ballast with (9).
7. Assemble (37) & (38) to fuse holder (34).
8. Assemble ballast to whichever item that comes next in your unit. switch (8) (not included in kit) or photoelectric switch (10) (not included in kit) or wire (38) attached to the fuse holder (34).
9. Take the line wire out of the lug on the top side of the load center, replace it with (32) loop feed lug kit and then reinstall the line wire into the lug on the loop feed lug kit.

10. Plug lamp (2) into lamp holder (1).
11. Attach light cover (15) to deadfront using 2 (14) bolts.
12. Install fuse in fuse holder. Make line connection (power to light circuit).
13. Re-attach aluminum mounting plate and then attach dead front to enclosure.
14. Restore main power to enclosure.

VAPE Kit: as this kit is utilized in conjunction with the "VLIGHT" kit it has the same wiring with the following exceptions:

1. Turn off power to unit, remove deadfront and aluminum mounting plate.
2. Using the locating dimensions given below, drill an 11/16" diameter hole in bottom right side of enclosure to allow assembly of photocell to enclosure. Assembly photo electric switch to enclosure.
3. Referencing the above drawing add the photo electric switch in as shown. Use (11) as a jumper to the neutral.
4. Reinstall the aluminum mounting plate and deadfront.
5. Restore power.



MIDWEST ELECTRIC PRODUCTS, INC.
 Hwy. 22 N., P.O. Box 910, Mankato, MN 56002-0910