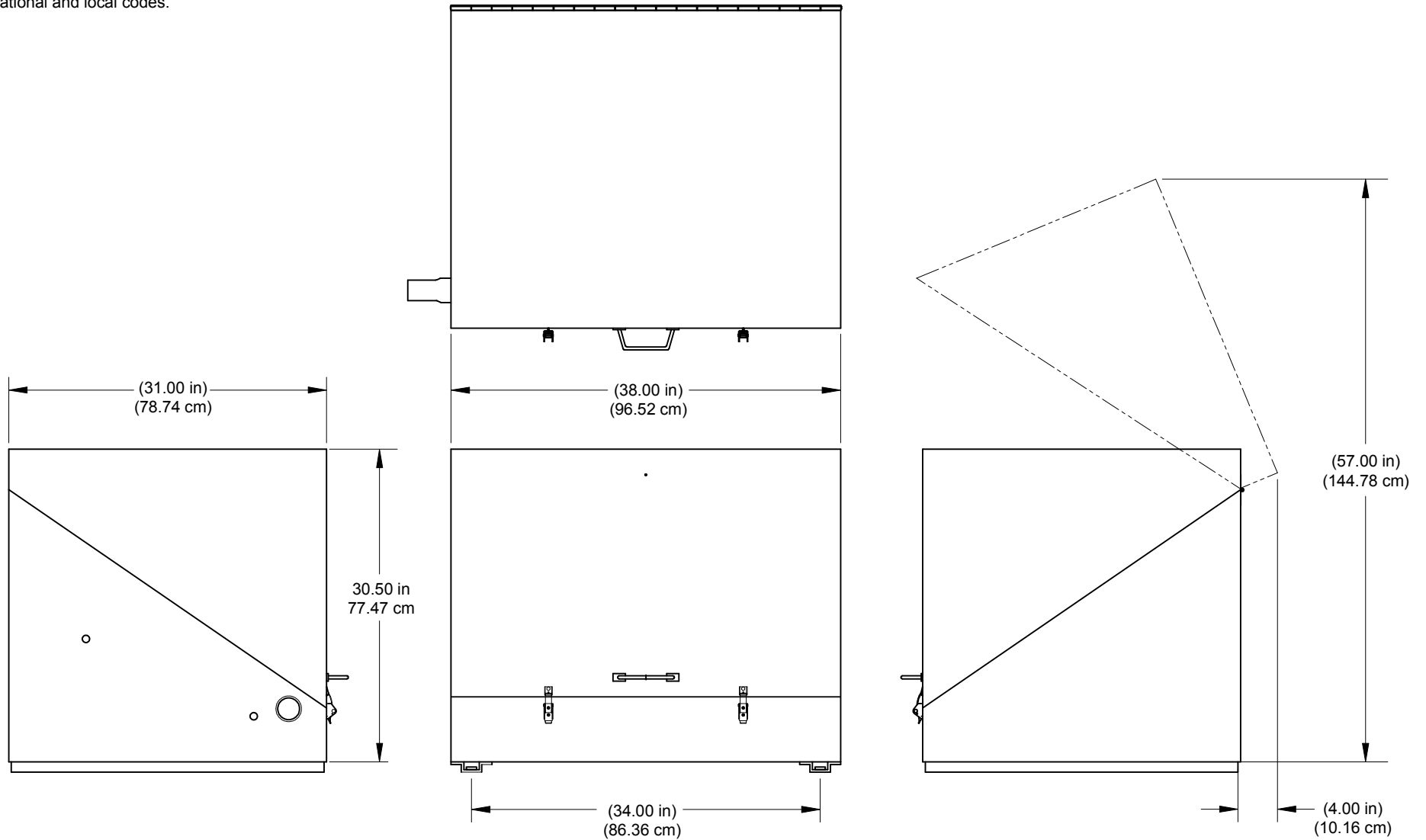



NOTES:

1. WARNING: This drawing does not illustrate completely the installation methods required for hazardous locations. Prior to any installation in a Classified Hazardous Location, verify installation methods by the Control Drawing referenced on the product's name tag and national and local codes.



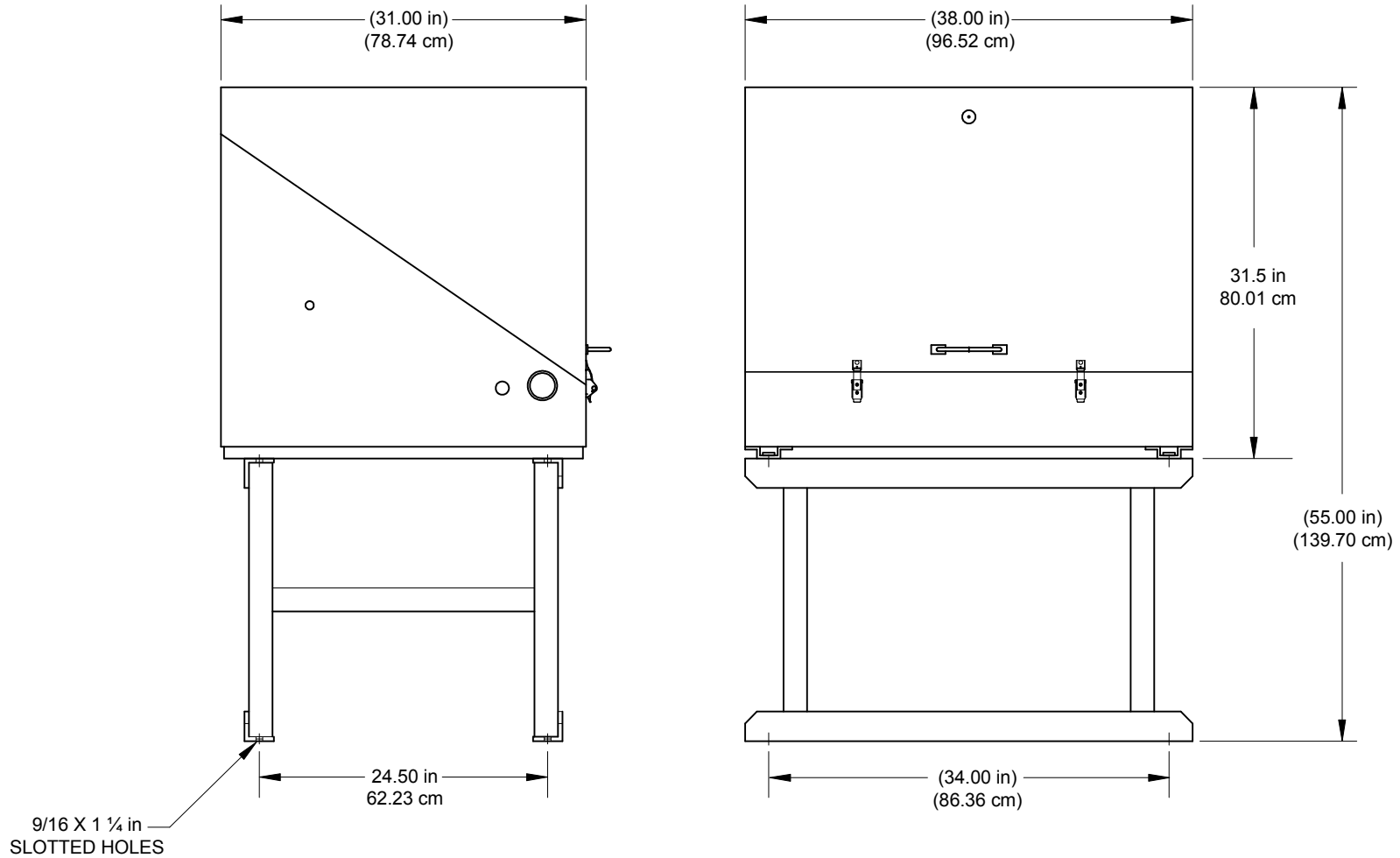
Standard Dimensions for Cold Weather Enclosure

REF: 2102298AI

 ABB	TOTALFLOW	ACTION	DOC TYPE	TITLE	DWG NO.	REV	SHEET
	Products	L19899	UD	NGC CWE MOUNTING DIMENSIONS	2103340	AA	1 OF 4


NOTES:

1. WARNING: This drawing does not illustrate completely the installation methods required for hazardous locations. Prior to any installation in a Classified Hazardous Location, verify installation methods by the Control Drawing referenced on the product's name tag and national and local codes.



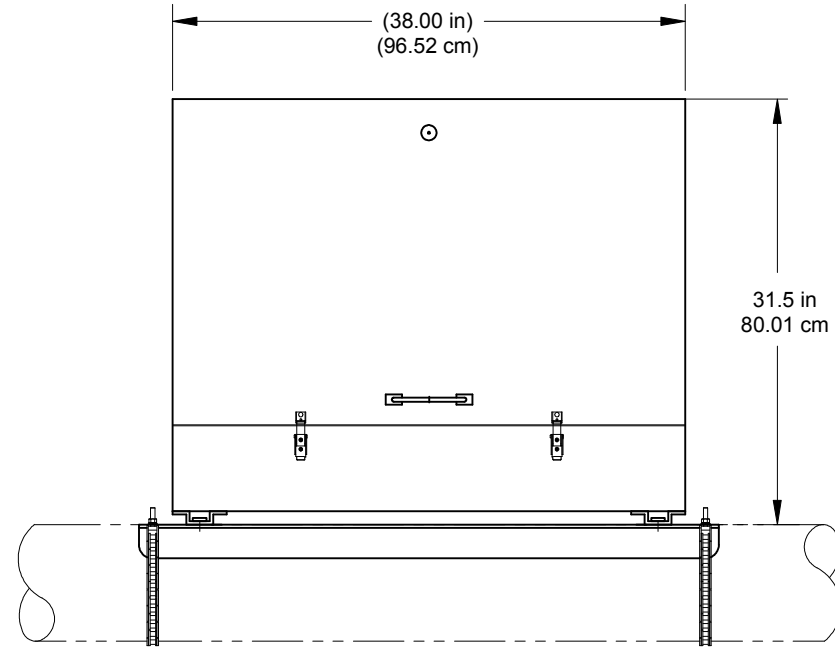
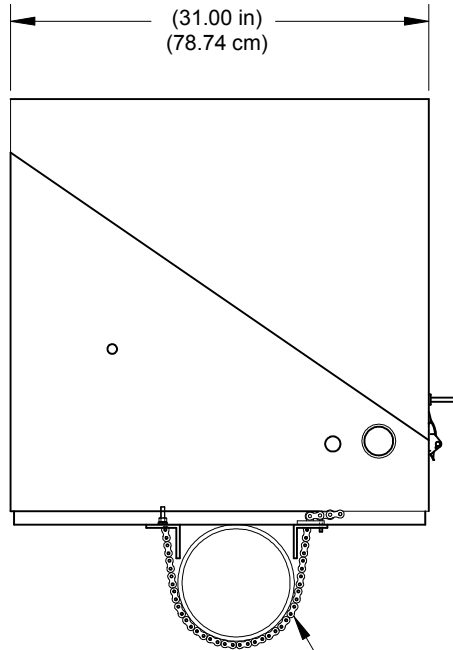
Enclosure Stand Option, Freestanding

REF: 2102298AI

 ABB TOTALFLOW Products	ACTION	DOC TYPE	TITLE	DWG NO.	REV	SHEET
	L19899	UD	NGC CWE MOUNTING DIMENSIONS	2103340	AA	2 OF 4

NOTES:

1. WARNING: This drawing does not illustrate completely the installation methods required for hazardous locations. Prior to any installation in a Classified Hazardous Location, verify installation methods by the Control Drawing referenced on the product's name tag and national and local codes.



COMES WITH 2 ANGLE BRACKETS, CHAIN & (5/16") HDWR:
 4.00" 2101293-001
 6.00" 2101293-002
 8.00" 2101293-003
 10.00" 2101293-004
 12.00" 2101293-005

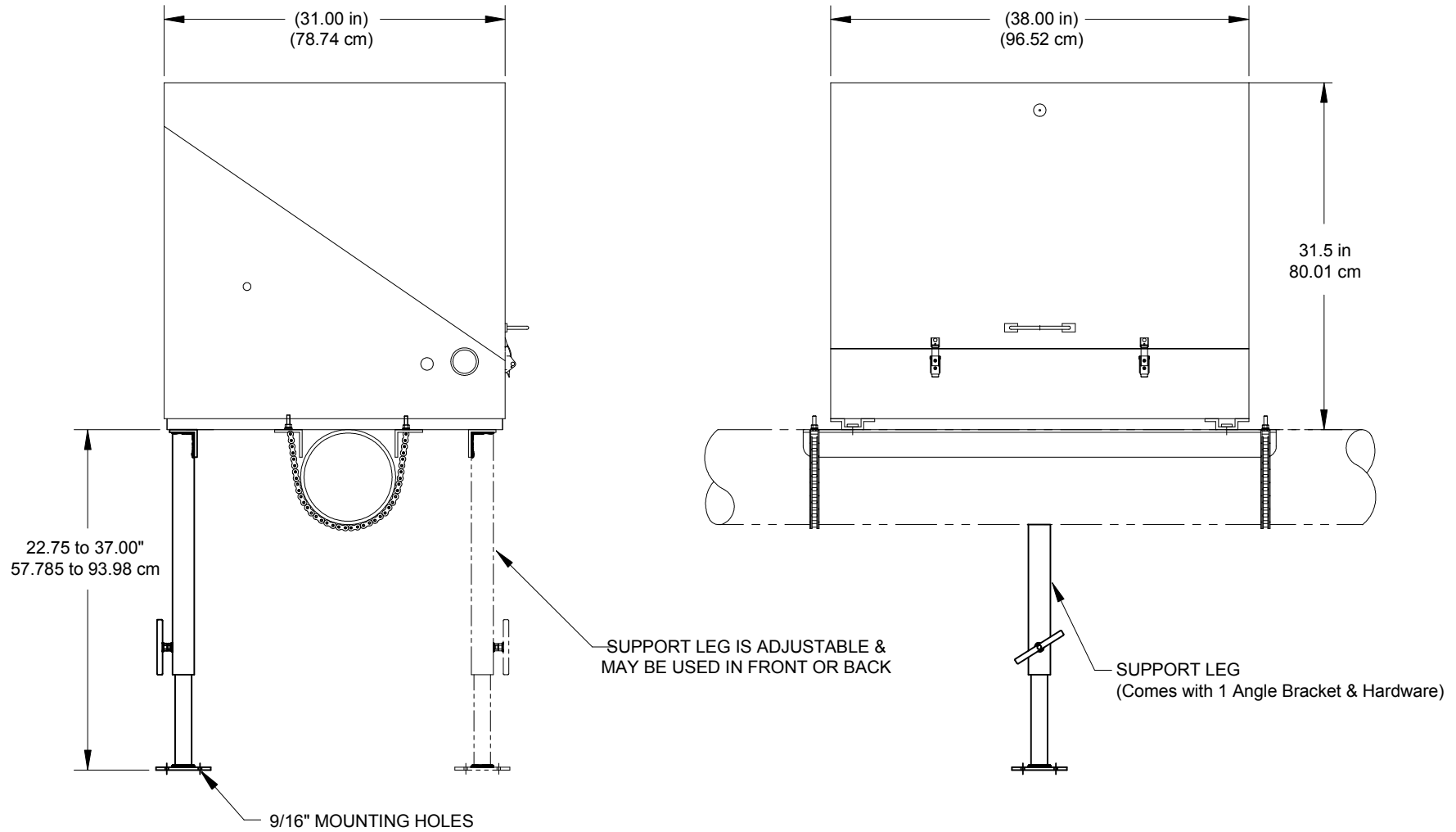
Cable & Angle Iron Mounting Kit

REF: 2102298AI

ABB	TOTALFLOW	ACTION	DOC TYPE	TITLE	DWG NO.	REV	SHEET
	Products	L19899	UD	NGC CWE MOUNTING DIMENSIONS	2103340	AA	3 OF 4


NOTES:

1. **WARNING:** This drawing does not illustrate completely the installation methods required for hazardous locations. Prior to any installation in a Classified Hazardous Location, verify installation methods by the Control Drawing referenced on the product's name tag and national and local codes.



Support Leg Kit Option
 (Must already have the Cable & Angle Iron Mounting Kit
 SEE SHEET 3)

REF: 2102298AI

 TOTALFLOW Products	ACTION	DOC TYPE	TITLE	DWG NO.	REV	SHEET
	L19899	UD	NGC CWE MOUNTING DIMENSIONS	2103340	AA	4 OF 4