

MEDIUM VOLTAGE PRODUCT

KOKS 24(25) kV

Indoor current transformers



Technical parameters	Value
Highest voltage for equipment	24(25) kV
Power frequency test voltage, 1 min.	50 kV
Lighting impulse test voltage	125 kV
Rated short-time thermal current	100 × I _{pn} kA
Rated dynamic current	practically unlimited
Rated continuous thermal current	
KOKS 24 D11 and _D21	6 000 A
KOKS 24 F11 and _F21	8 000 A

Description

Cast resin body. Primary winding formed of a straight busbar to be mounted on the site of installation. At rated primary currents (I_{pn}>4 000 A) the cores are protected from the magnetic fields of the adjacent current busbars. Light-metal mounting frame with the secondary terminal box underneath (sealable terminal box). Two sizes. Core number 1...4. The protection cores can be linearized if needed. Without the mounting frame the transformer width is 400 mm. Conductors of 2.5...10 sq. mm or 2x2.5...2x6 sq. mm can be connected to the secondary terminals.

Selection of transformer

The core selection table shows how the core size is determined by the primary voltage, accuracy class, and burden when the secondary current is 5 A and the frequency is 50 Hz. The core size total must not exceed the maximum core size. The core selection table is valid for the types KOKS 24 D11 and KOKS 24 D21 only.

Max. core sizes

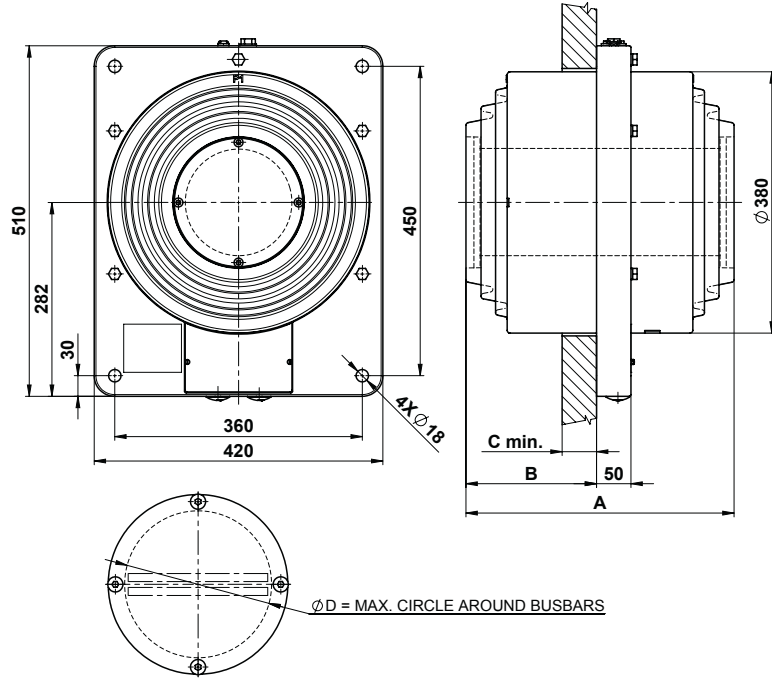
KOKS 24 D 11	235
KOKS 24 D 21	345

Standards

IEC 185

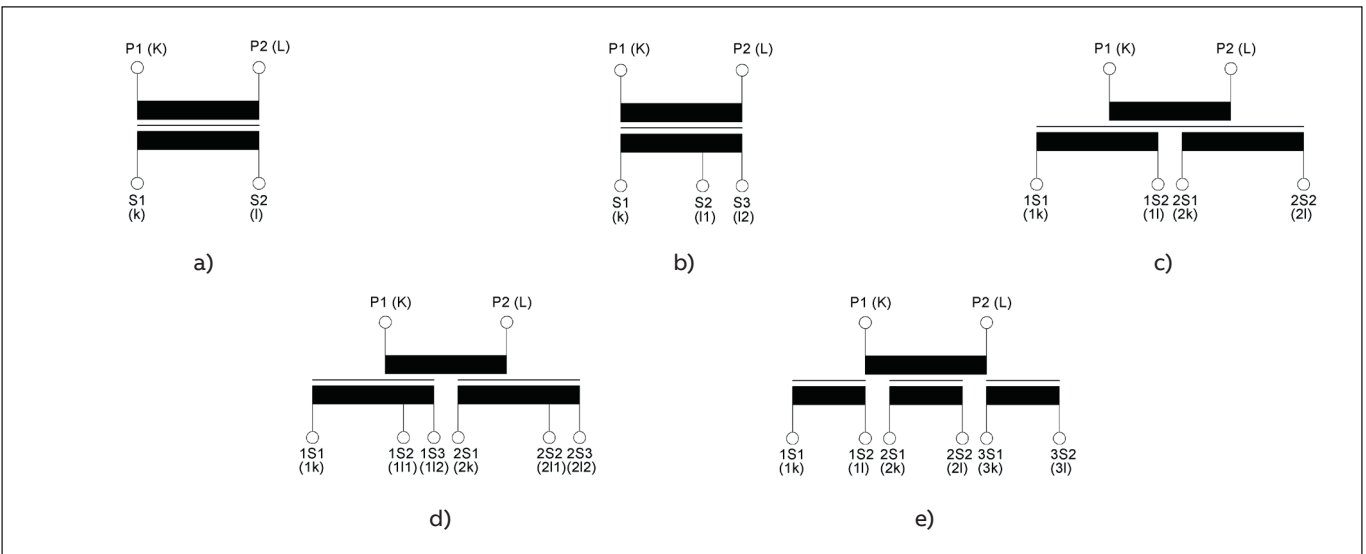
Other standards as requested

Dimensional Drawing



	KOKS 24 D 11	KOKS 24 D 21	KOKS 24 F 11	KOKS 24 F 21
A [mm]	390	500	400	510
B [mm]	190	245	195	250
C [mm]	35	75	35	75
D [mm]	150	150	205	205

Marking of current transformer outlets - example



a) Single-core design | b) Double-core design | c) Three-core design | d) Single-core design, reconnectable on the secondary side | e) Double-core design, reconnectable on the secondary side

Core selection table for types KOKS 24 D11 and _D21Rated continuous thermal current: $1.2 \times I_{pn}$ except for 6 000 Awhere rated continuous thermal current is $1.0 \times I_{pn}$

Rated burden		10 VA				15 VA				30 VA				45 VA				60 VA			
I_{pn}/A	Class	Size	Fs <	Si [VA]	Size	Fs <	Si [VA]	Size	Fs <	Si [VA]	Size	Fs <	Si [VA]	Size	Fs <	Si [VA]	Size	Fs <	Si [VA]		
6 000	0.2	65	10	25	65	9	25	65	7	25	65	5	25	65	4	25					
	0.5	65	10	25	65	9	25	65	7	25	65	5	25	65	4	25					
	1	65	10	25	65	9	25	65	7	25	65	5	25	65	4	25					
	10P15	55		29	55		29	60		31	65		33	65		33					
	10P20	60		31	60		31	65		33	70		35	75							
	10P75	90		42	95		44	115		51	130		56								
5 000	0.2	60	10	20	60	8	20	60	6	20	60	5	20	60	4	20					
	0.5	60	10	20	60	8	20	60	6	20	60	5	20	60	4	20					
	1	60	10	20	60	8	20	60	6	20	60	5	20	60	4	20					
	10P15	55		24	55		24	60		25	65		27	70		28					
	10P20	60		25	60		25	65		27	70		28	75		30					
	10P75	90		34	100		37	120		43	140		49								
4 000	0.2	60	9	16	60	8	16	60	5	16	60	4	16	60	3	16					
	0.5	60	9	16	60	8	16	60	5	16	60	4	16	60	3	16					
	1	60	9	16	60	8	16	60	5	16	60	4	16	60	3	16					
	10P15	50		18	55		20	60		21	65		22	70		23					
	10P20	55		20	55		20	65		22	70		23	80		26					
	10P75	90		28	100		30	125		36											
3 000	0.2	40	8	11	40	7	11	45	6	12	50	6	14	55	6	15					
	0.5	40	8	11	40	7	11	40	4	11	40	3	11	40	3	11					
	1	40	8	11	40	7	11	40	4	11	40	3	11	40	3	11					
	10P15	50		18	50		18	60		20	65		21	70		22					
	10P20	55		19	55		19	65		21	75		23	85		25					
	10P75	90		21	100		23	135		29											
2 500	0.2	40	8	9.3	40	6	9.3	50	7	11	55	6	12								
	0.5	40	8	9.3	40	6	9.3	40	4	9.3	40	3	9.3	45	3	10					
	1	40	8	9.3	40	6	9.3	40	4	9.3	40	3	9.3	40	3	9.3					
	10P15	45		14	45		14	55		16	65		18	75		20					
	10P20	50		15	55		16	65		18	75		20	90		23					
	10P75	95		18	110		21														
2 000	0.2	40	7	7.3	45	8	8.1	55	7	9.5											
	0.5	40	7	7.3	40	5	7.3	40	3	7.3	45	3	8.1	50	4	8.8					
	1	40	7	7.3	40	5	7.3	40	3	7.3	40	3	7.3	45	3	8.0					
	10P15	45		11	50		12	60		14	70		15	80		17					
	10P20	50		12	55		13	70		15	85		17	100		20					
	10P75	95		15	115		17														
1 500	0.5	40	6	5.4	40	4	5.4	45	4	5.9	50	4	6.5	55	3	7.0					
	1	40	6	5.4	40	4	5.4	40	3	5.4	45	3	5.9	50	3	6.5					
	10P15	50		9.0	55		9.6	70		11	80		12	95		14					
	10P20	55		9.6	60		10	80		12	100		15	120		17					
	10P75	105		12	130		14														
1 250	0.5	40	5	4.1	45	6	4.5	50	4	4.5	60	4	5.7								
	1	40	5	4.1	40	4	4.5	45	3	4.5	45	3	4.5	50	3	4.9					
	10P15	50		6.8	55		7.2	75		8.9	90		10	110		12					
	10P20	55		7.2	65		8.0	85		9.7	110		12	140		14					
	10P75	120		11																	
1 000	0.5	40	6	3.6	45	6	3.7	55	5	4.6											
	1	35	5	3.2	35	3	3.2	40	3	3.5	45	3	3.9	50	3	3.9					
	10P15	50		5.8	55		6.1	75		7.5	100		9.2	120		11					
	10P20	55		6.1	65		6.8	95		8.8	125		11								
	10P75	140		10																	

Fs = Instrument security factor

Si = Internal burden (VA)

CONTACT US

ABB s.r.o.
ELDS Brno
Videnska 117, 619 00 Brno,
Czech Republic
Tel.: +420 547 152 021
+420 547 152 854
Fax: +420 547 152 626
E-mail: kontakt@cz.abb.com

NOTE

We reserve the right to make technical changes or modify the contents of this document without prior notice. With regard to purchase orders, the agreed particulars shall prevail. ABB does not accept any responsibility whatsoever for potential errors or possible lack of information in this document.

We reserve all rights in this document and in the subject matter and illustrations contained therein. Any reproduction, disclosure to third parties or utilization of its contents - in whole or in parts - is forbidden without prior written consent of ABB.

Copyright© 2020 ABB
All rights reserved