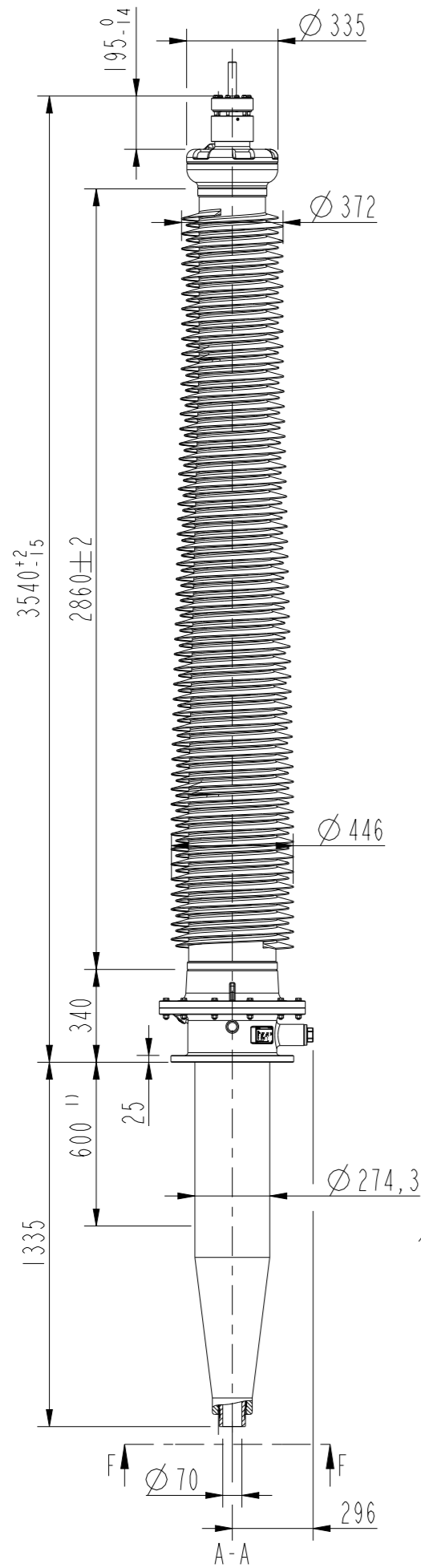


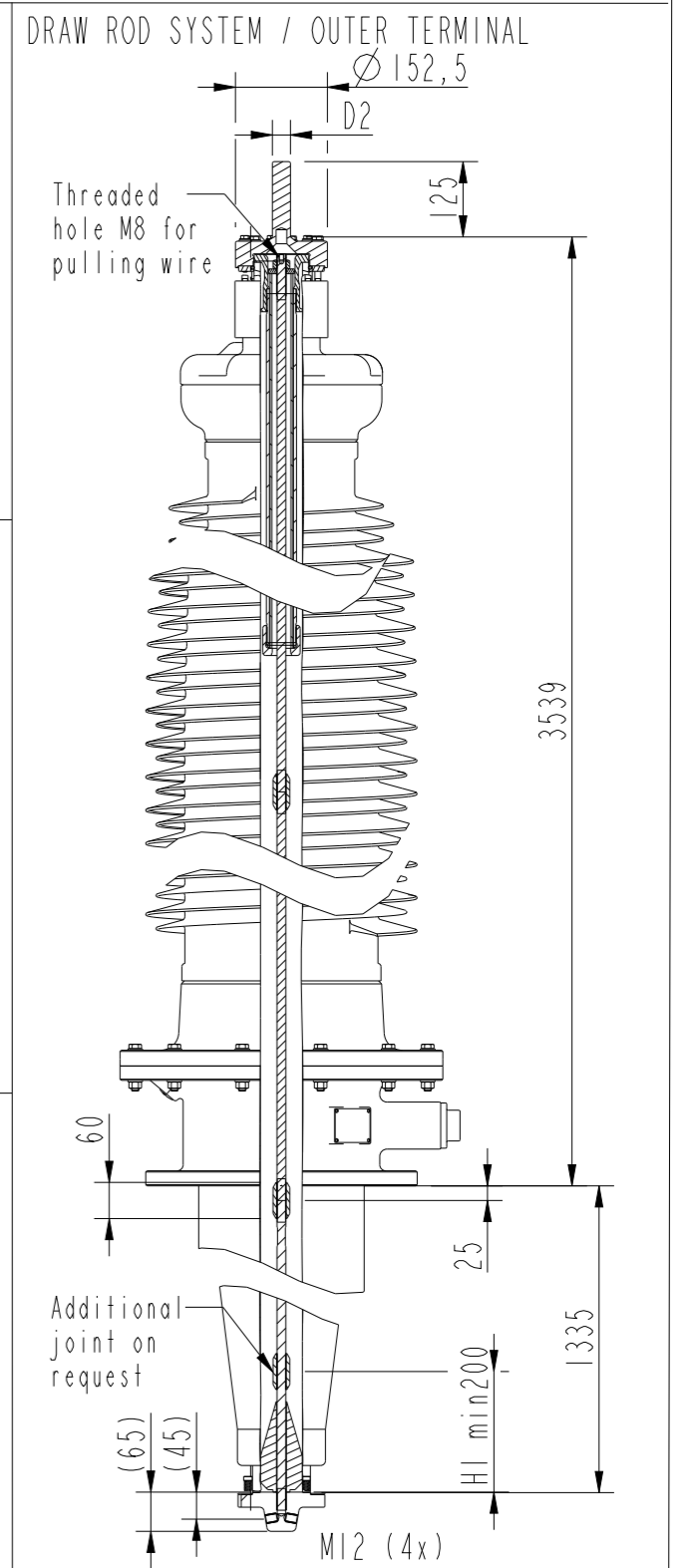
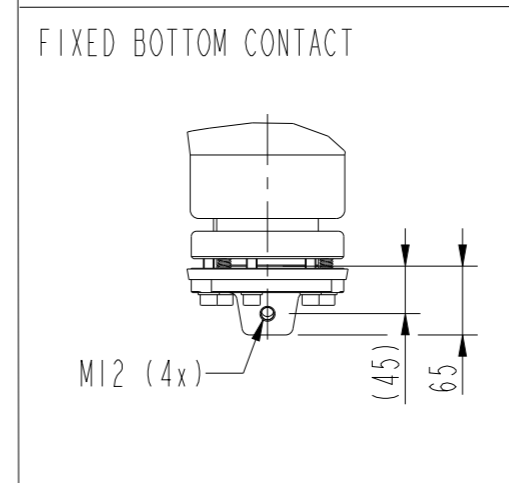
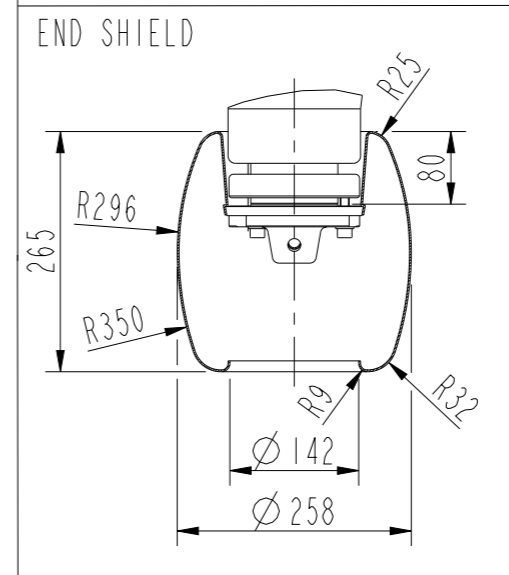
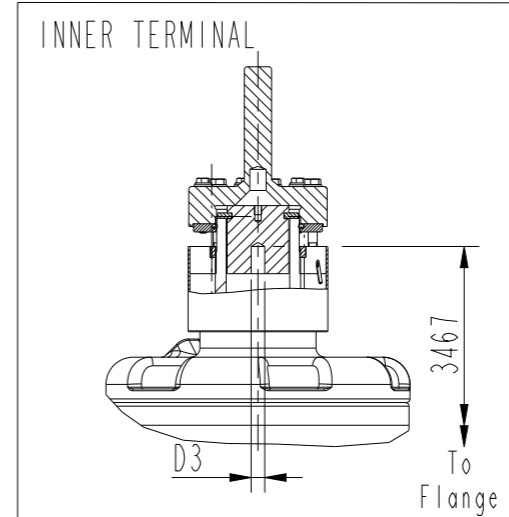
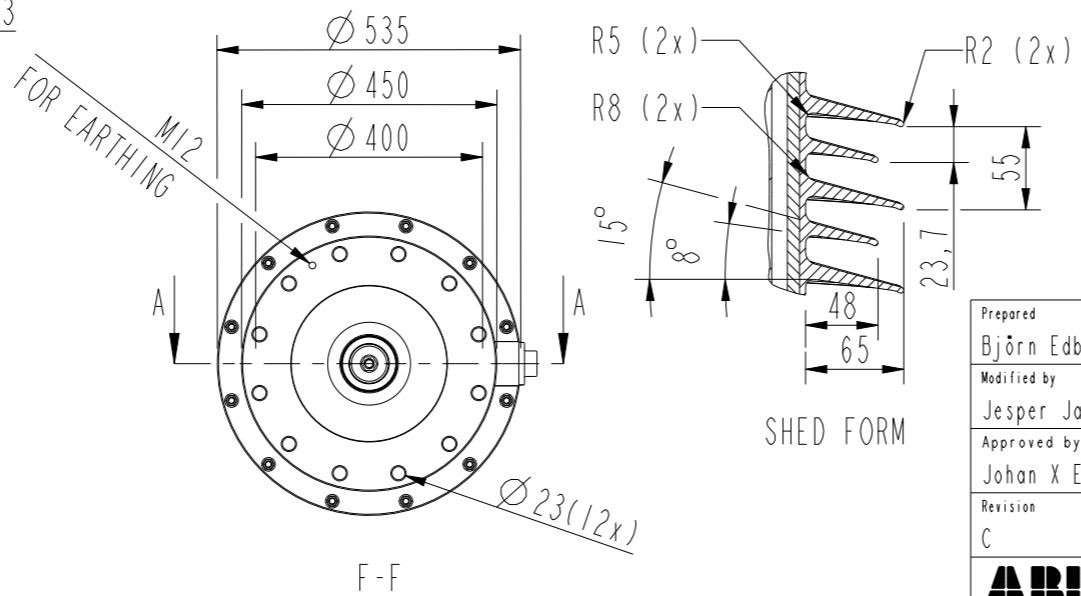
This document is issued by means of a computerized system. The digitally stored original is electronically approved. The approved document has a date entered in the "Approved"-field. A manual signature is not required.

The information contained in this document has to be kept strictly confidential. Any unauthorized use, reproduction, distribution or disclosure to third parties are strictly forbidden. ABB reserves all rights regarding Intellectual Property Rights. © Copyright 2013 ABB. All rights reserved.



Bushings Data:		
Rated Voltage	362	kV
Phase-to-earth Voltage	220	kV
Dry Lightning Impulse 1,2/50µs	1175	kV
Wet Switching Impulse	950	kV
Wet Power Frequency AC	n.a.	kV
Routine test Imin dry 50Hz	561	kV
Rated Current	3150	A
Creepage Distance, nominal	12861	mm
Creepage Distance, minimum	12345	mm
Mass, Bushing	524	kg
Mass, incl. protective hood	556	kg

Ordering Data:		
<b>BUSHING</b>		<b>AIR INSULATOR COLOUR/TYPE</b>
IZSC901362 -CCB	Test tap	Composite
IZSC901362 -CDB	Voltage tap 6kV	Composite
<b>OUTER TERMINAL</b>	<b>MATERIAL</b>	<b>D2 (mm)</b>
IZSC999001-AAA	Al	30
IZSC999001-AAB	Al	60
IZSC999001-AAC	Cu	30
IZSC999001-AAD	Cu	40
<b>DRAW ROD SYSTEM</b>		
IZSC999006	Lower draw rod	
IZSC999007	Upper draw rod	
<b>INNER TERMINAL</b>		<b>D3 (mm)</b>
IZSC999005-AAA		15
IZSC999005-AAB		30
IZSC999005-AAC		40
IZSC999005-AAD		42
<b>FIXED BOTTOM CONTACT</b>		
IZSC999002-AAE		
<b>END SHIELD</b>		Epoxy insulated
IZSC999003-AEA		



1) Maximum length of CT

Prepared	Björn Edberg	2015-06-10	Responsible department	PGCO/BK	Title	
Modified by	Jesper Jansson	2017-05-17	Take over department		Bushing GSB 362/3150/0.6	
Approved by	Johan X Eriksson	2017-05-17	Used in product		Genomföring GSB 362/3150/0.6 Cu	
Revision	C		Rated current changed.			82
					Order	Sheet no.
					Document no.	2751377-32
						No. Shits.
						(1)

