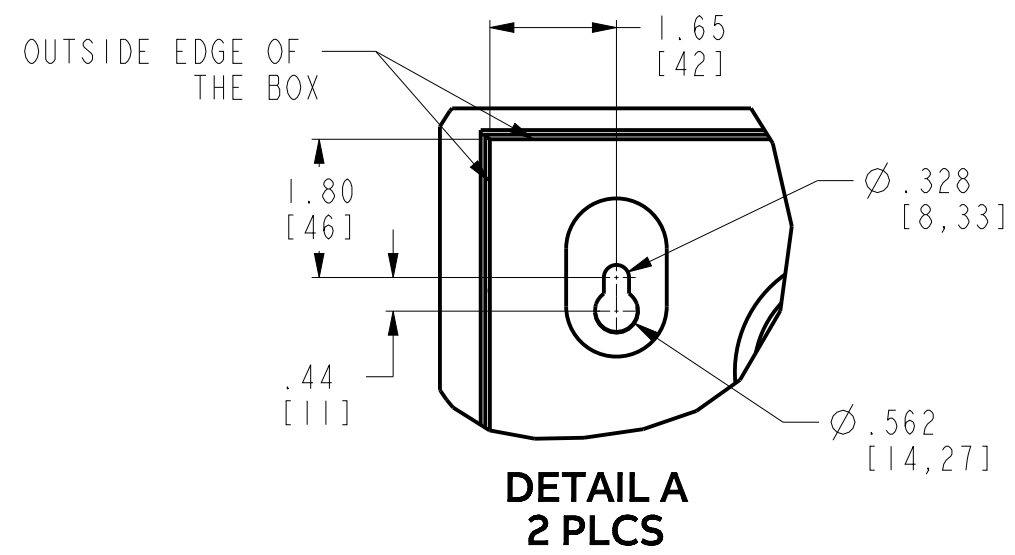


14

13

12

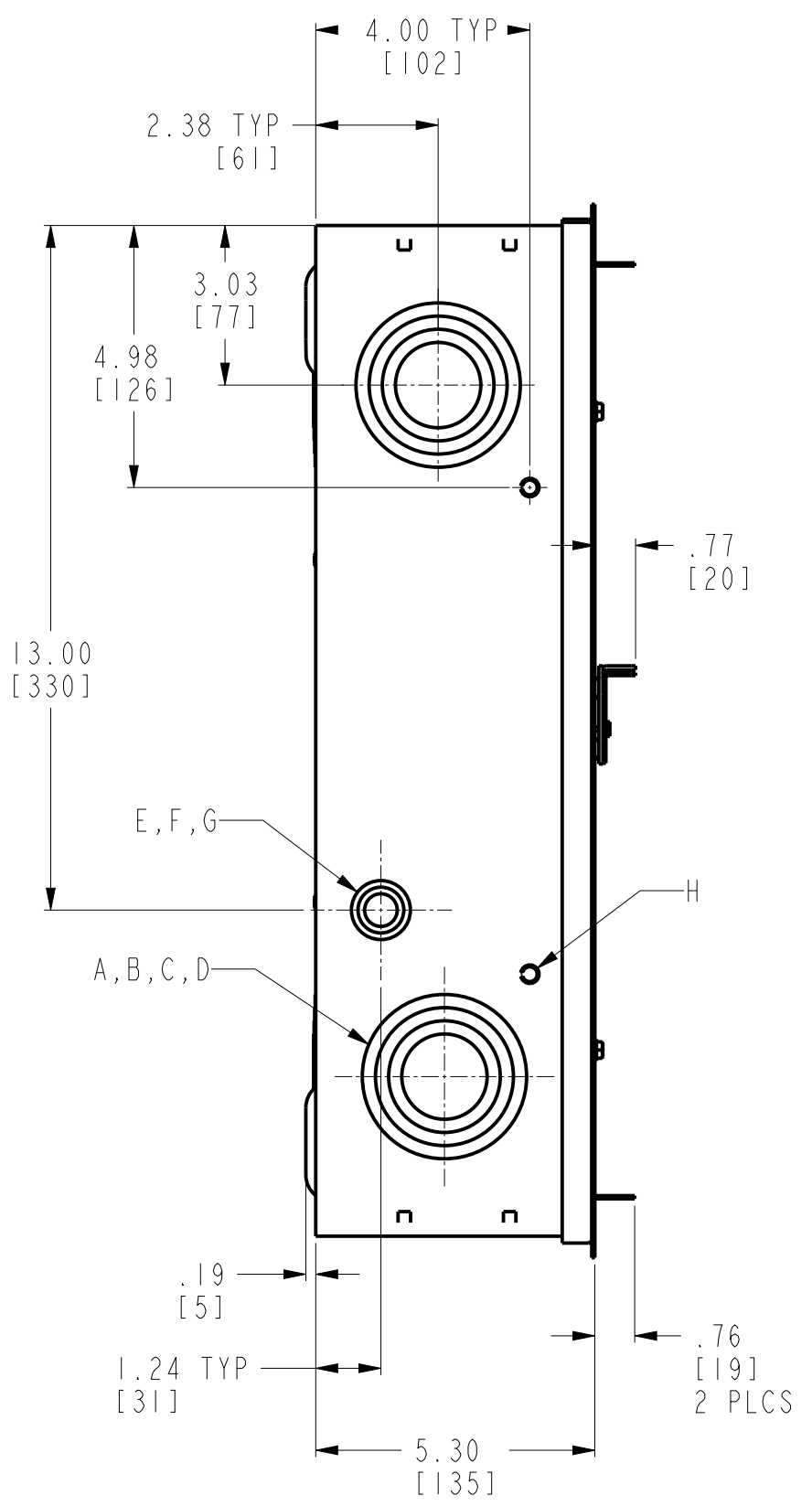
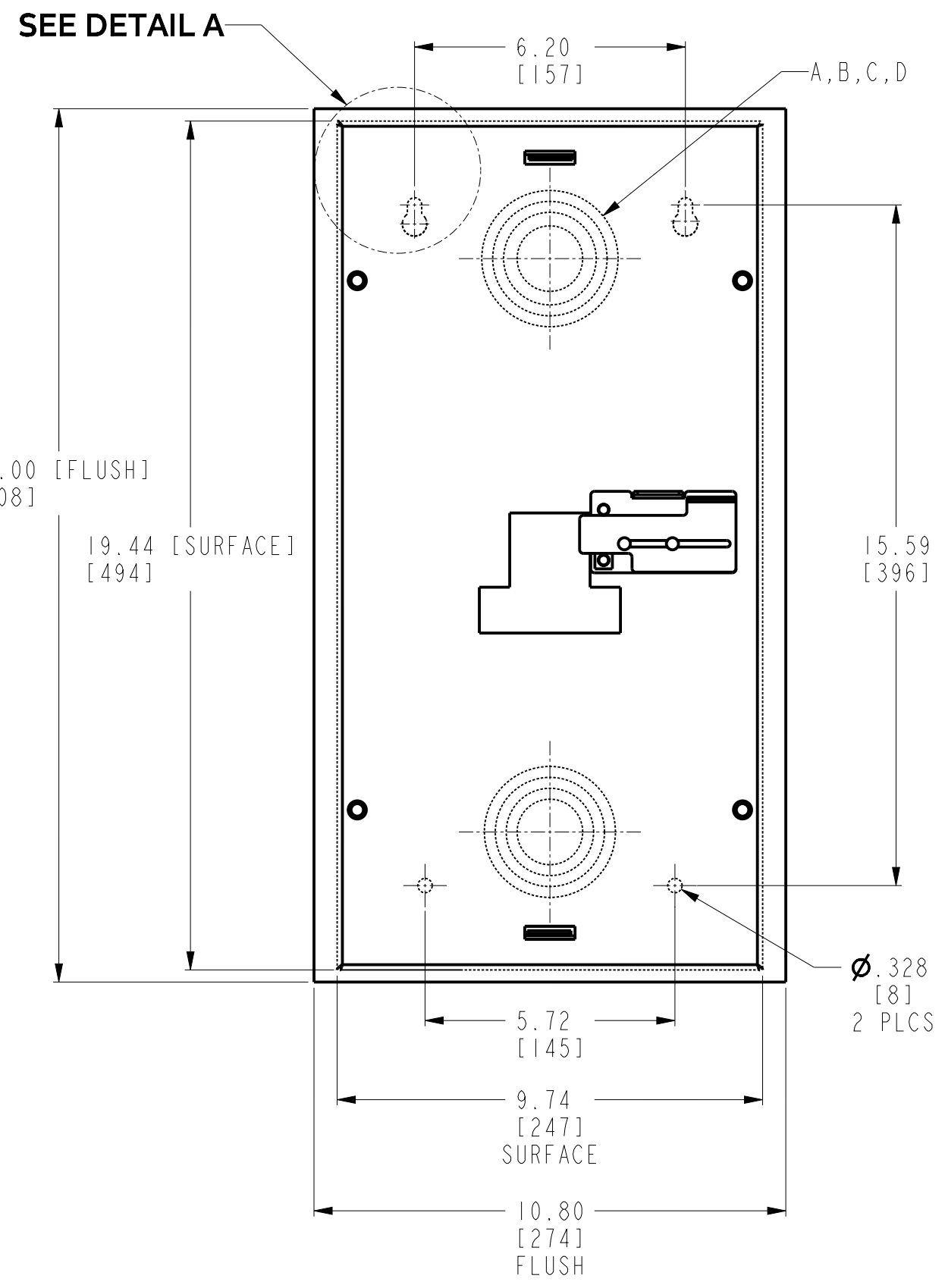
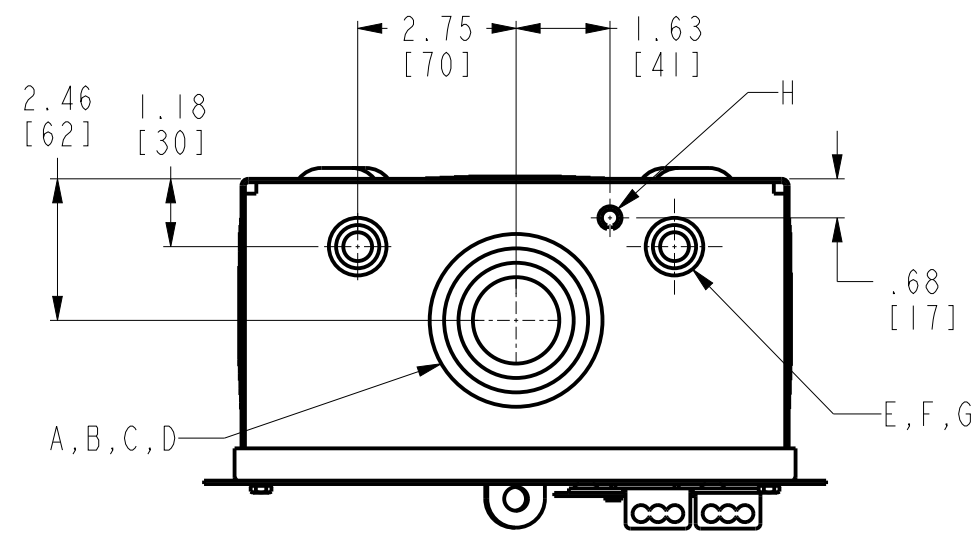
11



CIRCUIT BREAKER LUG CATALOG DATA				
CIRCUIT BREAKER CAT NO. PREFIX	AMPERE RATING	LUG CATALOG NUMBER		WIRE SIZE (AWG/KCMIL)
XT2	10-125A	KXT2CUAL1-3PC	KXT2CUAL1-4PC	(1) #14-1/0 CU-AL
		KXT2CUAL2-3PC	KXT2CUAL2-4PC	(1) #10-2/0 CU-AL
		KXT2CU-3PC	KXT2CU-4PC	(1) #14-1/0 CU

FIELD INSTALLABLE NEUTRAL ASSEMBLY AND GROUND KIT				
CAT NO. PREFIX	TYPE	AMPERE RATING	WIRE SIZE (AWG/KCMIL)	
TGL1	GND KIT	70-125A	(4) #14-8 CU (4) #12-8 AL (3) #14-4 CU (3) #6-4 AL	
TNIA225	NEUTRAL ASM	15-125A	(1) #14-1 CU (1) #12-2/0 AL	
TNIA250XTGF	NEUTRAL ASM	15-125A	(1) #14-1 CU (1) #12-1 AL	

SYMBOLS	CONDUIT SIZE		DIAMETER	
	IN	MM	IN	MM
	A	3	76	3 5/8
B	2 1/2	64	3	76
C	1 1/2	38	2	51
D	2	51	2 1/2	64
E	1	25	1 3/8	35
F	3/4	19	1 1/8	29
G	1/2	13	7/8	22
H	9/32	7	9/32	7



- NOTES:**
1. MATERIAL: LOW CARBON STEEL
 2. FINISH: ELECTROCOAT ENAMEL, GRAY
 3. AGENCY APPROVAL: cULus LISTED -FILE E11592
 4. SUITABLE FOR USE AS SERVICE EQUIPMENT WHEN NEUTRAL ASSEMBLY IS INSTALLED
 5. THE SHORT CIRCUIT RATING OF THIS ENCLOSED CIRCUIT BREAKER IS EQUAL TO THE INTERRUPTING RATING, AT THE SUPPLY VOLTAGE MARKED ON THE CIRCUIT BREAKER INSTALLED
 6. CONSULT BUYLOG FOR ALTERNATIVE LUGS

DUAL DIMENSIONS INCHES [MILLIMETERS]

ABB

OUTLINE DRAWING- NEMA TYPE1 ENCLOSURE
XT2ENCL125S,XT2ENCL125F

THIRD ANGLE	SHEET#	DWG NO.	DATE	REV
	1 of 1	1SQC930049D0201	18-Jan-22	2

14

13

12

11