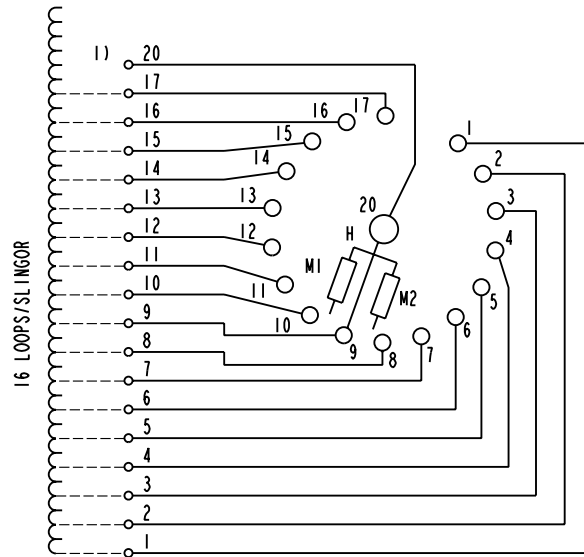


We reserve all rights in this document and in the information contained therein. Reproduction, use or disclosure to third parties without express authority is strictly forbidden. © ABB 19

Pos. Läge	H connects H förbinder
1	1 - 20
2	2 - 20
3	3 - 20
4	4 - 20
5	5 - 20
6	6 - 20
7	7 - 20
8	8 - 20
9	9 - 20
10	10 - 20
11	11 - 20
12	12 - 20
13	13 - 20
14	14 - 20
15	15 - 20
16	16 - 20
17	17 - 20

On-load tap-changer type UZEL., UZFL., 17 tap positions, linear switching.
Max. effective No. of turns in pos. 1.
The tap-changer is delivered set in pos. 9.

Lindningskopplare typ UZEL., UZFL., 17 lägen, linjär koppling.
Max. antal effektiva varv i läge 1.
Lindningskopplaren levereras inställd i läge 9.

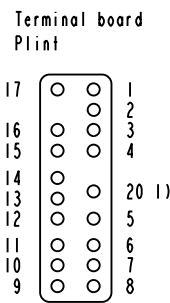


The tap-changer is shown in pos. 9
Lindningskopplaren visad i läge 9

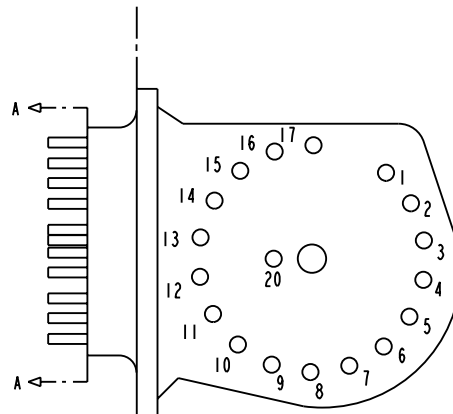
H Main contact M1, M2 Transition contacts
Huvudkontakt Motståndskontakter

1) Connections between the terminals 20 of the three phases are included in the star-point type.

Förbindningar mellan uttag 20 i de tre faserna ingår i nollpunktsutförandet.



Section A-A
Sektion A-A



Transformer tank
Transformatorlåda

Tap-changer tank
Lindningskopplarlåda

Sheet	Cont	Year	Week	Appd	Year	Week	
Rev Ind	Revision	Accepted for prod by	Description (English) CONNECTION DIAGRAM				DATA ORIGINAL
Rev Ind	Revision	Accepted for prod by	Description (own language) KOPPLINGSSCHEMA				File name 0393-13
Design checked by	B-O. Stenestam	Drawn by	L. Bergman	Lang		Sheet	
Design checked by	M. Hedlund	Issued by	Dept/Year Week COM/TKO 97 33	Rev Ind		Cont	
			Asea Brown Boveri				
5492 0393-13							