

Conductor network

Metallic conductor clips



Swing lid DC tape clip

Material: Copper or aluminium alloy

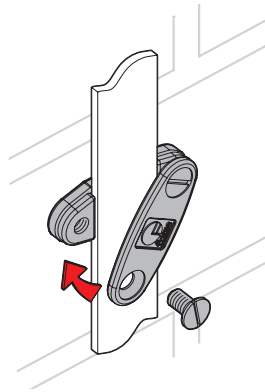
Part No.	Conductor Size (mm)	Weight Each (kg)
For use with bare copper		
CP210-H*	25 x 3	0.07
CP220-H*	25 x 6	0.08
For use with bare aluminium		
CP110-H	25 x 3	0.03
CP120-H	25 x 6	0.04

– DC tape clips manufactured from high quality copper and aluminium alloys for excellent corrosion resistance and high pull off loads

– Fix using countersunk wood screws 1 1/2" No. 10 or M6 (Part no. SW005 or SW105) and wall plugs (Part no. PS305)

IEC/BS EN 62561-4 (CP210-H, CP110-H)

*UL96 (CP210-H, CP220-H)



Standards



UL96

BS EN 62561-4



Adjustable DC tape clip

Material: Copper alloy

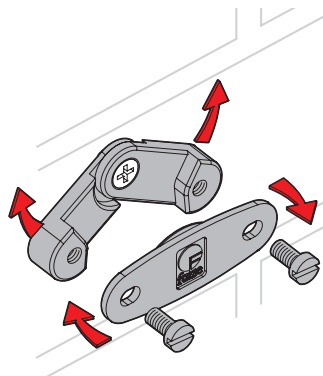
Part No.	Conductor Size (mm)	Weight Each (kg)
For use with bare copper		
CP230-H	31 x 3 and 31 x 6	0.12
CP240-H	38 x 3, 38 x 6 and 40 x 6	0.14
CP260-H*	50 x 3 and 50 x 6	0.16

– DC tape clips manufactured from high quality copper alloy for excellent corrosion resistance and high pull off loads

Variable thicknesses of conductor are accommodated by a reversible lid

– Fix using countersunk wood screws 1 1/2" No. 10 or M6 (Part no. SW005 or SW105) and wall plugs (Part no. PS305)

*UL96 (CP260-H)



Standards

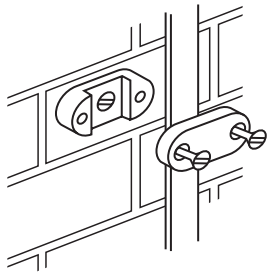


UL96

BS EN 62561-4

Conductor network

Metallic conductor clips



Standards



UL96

BS EN 62561-4

DC tape clip

Material: Copper or aluminium alloy

Part No.	Conductor Size (mm)	Weight Each (kg)
For use with bare copper		
CP205	20 x 3	0.06
CP216	25 x 4	0.07
CP227	30 x 5	0.10
CP245	38 x 5	0.12
CP241	40 x 4	0.14
CP256	50 x 4	0.15
For use with PVC covered copper		
CP215	25 x 3	0.10
CP225	25 x 6	0.13
CP265	50 x 6	0.26
For use with lead covered copper		
CP305	25 x 3	0.20
For use with bare aluminium		
CP105	20 x 3	0.02
CP125	50 x 6	0.05
For use with PVC covered aluminium		
CP115	25 x 3	0.04
CP130	50 x 6	0.06

- High quality copper or aluminium alloy down conductor clip for securing flat tape
 - Fix using countersunk wood screws 1 1/2" No. 10 or M6 (Part no. SW005 or SW105) and wall plugs (Part no. PS305)
- IEC/BS EN 62561-4 (CP215, CP115)

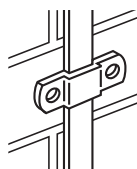


Tape clip

Material: Copper or aluminium alloy

Part No.	Conductor Size (mm)	Weight Each (kg)
For use with bare copper		
CP510	20 x 3	0.02
CP515	25 x 3	0.02
For use with bare aluminium		
CP405	20 x 3	0.01
CP410	25 x 3	0.01
CP415	25 x 6	0.01
For use with PVC covered tape		
CP517	25 x 3	0.02

- Manufactured from pure copper or aluminium, these pressed clips are available in a range of sizes to suit bare and PVC covered copper and aluminium tapes
- Fix using countersunk wood screws 1 1/2" No. 10 or M6 (Part no. SW005 or SW105) and wall plugs (Part no. PS305)



Conductor network

Metallic conductor clips

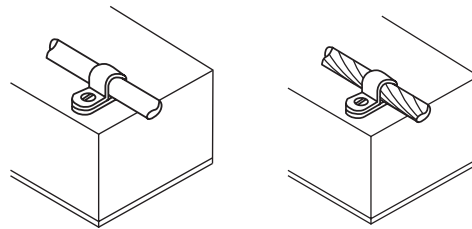


One hole cable clip

Material: Copper or Aluminium

Part No.	Conductor Diameter (mm)	Conductor Size	Weight Each (kg)
For use with solid circular conductor			
CP905	8	Copper	0.01
CP925	8	Aluminium	0.01
CP915	10*	Copper	0.01
CP935	10*	Aluminium	0.01
For use with stranded conductor			
CP910	50 mm ²	Copper	0.01
CP915	70 mm ²	Copper	0.01
CP920	95 mm ²	Copper	0.01

- Manufactured from pure copper or aluminium, these pressed clips are available to suit bare and PVC covered copper and aluminium solid circular conductor, and bare copper stranded conductor
- Fix using roundhead wood screws 1 1/2" No. 10 or M6 (Part no. SW305 or SW405) and wall plugs (Part no. PS305)
- *PVC covered 8 mm conductor

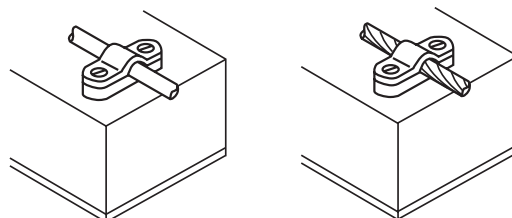


Heavy duty cast cable saddle

Material: Copper or aluminium alloy

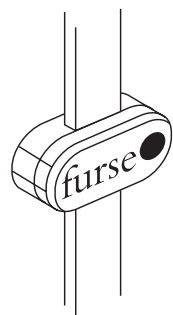
Part No.	Conductor Diameter (mm)	Conductor Size	Weight Each (kg)
For use with solid circular conductor			
CP805	8	Copper	0.09
CP806	8	Aluminium	0.03
CP815	10*	Copper	0.10
CP816	10*	Aluminium	0.04
For use with stranded conductor			
CP810	50 mm ²	Copper	0.10
CP815	70 mm ²	Copper	0.10
CP835	95 mm ²	Copper	0.10
CP855	120 mm ²	Copper	0.10

- Manufactured from high quality copper and aluminium alloys for excellent corrosion resistance and high pull off loads
- Fix using countersunk wood screws 1 1/2" No. 10 or M6 (Part no. SW005 or SW105) and wall plugs (Part no. PS305)
- *For use with PVC covered 8 mm conductor or for supporting air terminals when used in conjunction with wall mounted air rod bases. Can also be used with glazing bar holdfast and back plate holdfast stem



Conductor network

Non-metallic conductor clips



Non-metallic DC tape clip

Material: High grade polypropylene

Part No.	Conductor Size (mm)	Colour	Weight Each (kg)
For use with bare tape			
CP005	20 x 3	Brown	0.01
CP010	20 x 3	Grey	0.01
CP015	25 x 3	Brown	0.01
CP020	25 x 3	Grey	0.01
CP060*	38 x 5	Brown	0.01
CP065*	50 x 6	Brown	0.02
For use with PVC covered tape			
CP025	25 x 3	Brown	0.01
CP030	25 x 3	Black	0.01
CP035	25 x 3	Green	0.01
CP040	25 x 3	Grey	0.01
CP045	25 x 3	Stone	0.01
CP050	25 x 3	White	0.01

- High grade Polypropylene, UV stabilized against degradation by sunlight and non-brittle to prevent cold weather damage
Available in six colours to match bare and PVC covered copper and aluminium tapes
- Fix using countersunk wood screws 1 1/2" No. 10 or M6 (Part no. SW005 or SW105) and wall plugs (Part no. PS305)
- *Not as illustrated (drawing available on request)

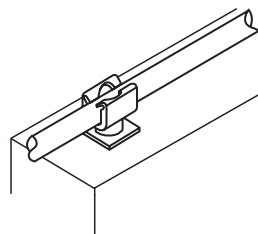


Non-metallic push-in clip

Material: High grade polypropylene

Part No.	Conductor Diameter (mm)	Colour	Weight Each (kg)
For use with bare solid circular conductor			
CP887	8	Brown	0.01
CP872	8	Grey	0.01
For use with PVC covered solid circular conductor			
CP886	10*	Brown	0.01
CP861	10*	Black	0.01
CP871	10*	Grey	0.01
CP876	10*	Stone	0.01
CP881	10*	White	0.01

- High grade Polypropylene, UV stabilized against degradation by sunlight and non-brittle to prevent cold weather damage
Available in five colours to match bare and PVC covered copper and aluminium solid circular conductors
- Fix using countersunk wood screws 1 1/2" No. 10 or M6 (Part no. SW005 or SW105) and wall plugs (Part no. PS305)
- *PVC covered 8 mm conductor



Conductor network

Non-metallic conductor clips

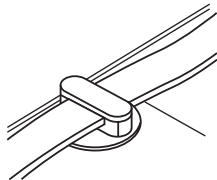


Glue down DC tape clip

Material: High grade polypropylene clip / High grade PVC base

Part No.	Conductor Size (mm)	Colour	Weight Each (kg)
For use with bare tape			
GD015	25 x 3	Brown	0.03
GD020	25 x 3	Grey	0.03
For use with PVC covered tape			
GD025	25 x 3	Brown	0.03
GD030	25 x 3	Black	0.03
GD040	25 x 3	Grey	0.03
GD045	25 x 3	Stone	0.03
GD050	25 x 3	White	0.03

- Use on clay roof tiles. Supplied in a box of 50 complete with adhesive. Additional glue gun is required
- Disc diameter 85 mm
- Dressing tool accessory (DT100) enables flat tape to be set at roof level

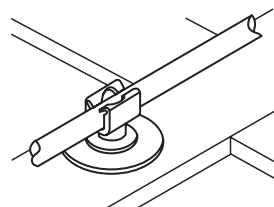


Glue down push-in clip

Material: High grade polypropylene clip / High grade PVC base

Part No.	Conductor Diameter (mm)	Colour	Weight Each (kg)
For use with bare solid circular conductor			
GD887	8	Brown	0.03
GD872	8	Grey	0.03
For use with PVC covered solid circular conductor			
GD886	10*	Brown	0.03
GD861	10*	Black	0.03
GD871	10*	Grey	0.03
GD876	10*	Stone	0.03
GD881	10*	White	0.03

- Use on clay roof tiles. Supplied in a box of 50 complete with adhesive. Additional glue gun is required
- Disc diameter 85 mm
- *PVC covered 8 mm conductor



Conductor network

Self adhesive non-metallic conductor clips

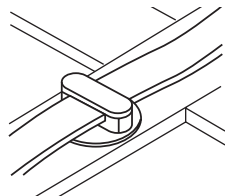


Self adhesive DC tape clip

Material: High grade polypropylene clip / High grade PVC base

Part No.	Conductor Size (mm)	Colour	Weight Each (kg)
For use with bare tape			
CA015-FU	25 x 3	Brown	0.03
CA020-FU	25 x 3	Grey	0.03
For use with PVC covered tape			
CA025-FU	25 x 3	Brown	0.03
CA030-FU	25 x 3	Black	0.03
CA040-FU	25 x 3	Grey	0.03
CA045-FU	25 x 3	Stone	0.03
CA050-FU	25 x 3	White	0.03

- Designed to secure conductors to surfaces that cannot be penetrated by a screw. Ideal for aluminium, spangled galvanized steel, colour coated steel, glass, perspex, enamel and stainless steel etc. Manufactured from high grade plastic, UV stabilized against degradation by sunlight and non-brittle to prevent cold weather damage. Use on surfaces other than PVC roofing
- Disc diameter 64 mm
- Dressing tool accessory (DT100) enables flat tape to be set at roof level.

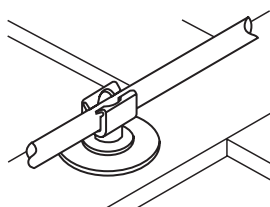


Self adhesive push-in clip

Material: High grade polypropylene clip / High grade PVC base

Part No.	Conductor Diameter (mm)	Colour	Weight Each (kg)
For use with bare solid circular conductor			
CA887	8	Brown	0.02
CA872	8	Grey	0.02
For use with PVC covered solid circular conductor			
CA886	10*	Brown	0.02
CA861	10*	Black	0.02
CA871	10*	Grey	0.02
CA876	10*	Stone	0.02
CA881	10*	White	0.02

- Designed as a means of securing conductors to surfaces that cannot be penetrated by a screw. Ideal for aluminium, spangled galvanized steel, colour coated steel, glass, perspex, enamel and stainless steel. Manufactured from high grade plastic, UV stabilized against degradation by sunlight and non-brittle to prevent cold weather damage. Use on surfaces other than PVC roofing
- Disc diameter 64 mm
- *PVC covered 8 mm conductor



Conductor network

Solvent weldable non-metallic conductor clips

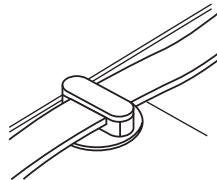


Solvent weldable DC tape clip

Material: High grade polypropylene clip / High grade PVC base

Part No.	Conductor Size (mm)	Colour	Weight Each (kg)
For use with bare tape			
CW015-FU	25 x 3	Brown	0.03
CW020-FU	25 x 3	Grey	0.03
For use with PVC covered tape			
CW025-FU	25 x 3	Brown	0.03
CW030-FU	25 x 3	Black	0.03
CW040-FU	25 x 3	Grey	0.03
CW045-FU	25 x 3	Stone	0.03
CW050-FU	25 x 3	White	0.03

- Provides a secure means of fixing conductors to single ply PVC roof membranes. Manufactured from high grade PVC, UV stabilized against degradation by sunlight and non-brittle to prevent cold weather damage
- Use with welding solvent CW905. Dressing tool accessory (DT100) enables flat tape to be set at roof level
- Disc diameter 64 mm

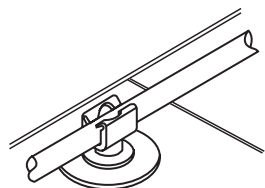


Solvent weldable push-in clip

Material: High grade polypropylene clip / High grade PVC base

Part No.	Conductor Diameter (mm)	Colour	Weight Each (kg)
For use with bare solid circular conductor			
CW887	8	Brown	0.03
CW872	8	Grey	0.03
For use with PVC covered solid circular conductor			
CW886	10*	Brown	0.03
CW886	10*	Brown	0.03

- Provides a secure means of fixing conductors to single ply PVC roof membranes. Manufactured from high grade PVC, UV stabilized against degradation by sunlight and non-brittle to prevent cold weather damage
- Disc diameter 64 mm
- *PVC covered 8 mm conductor



Conductor network

Heat weldable non-metallic conductor clips

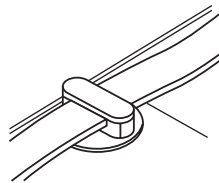


Heat weldable DC tape clip for T.P.O. roofing

Material: High grade polypropylene clip / High grade PVC base

Part No.	Conductor Size (mm)	Colour	Weight Each (kg)
For use with bare tape			
HW315-FU	25 x 3	Brown	0.03
HW320-FU	25 x 3	Grey	0.03
For use with PVC covered tape			
HW325-FU	25 x 3	Brown	0.03
HW330-FU	25 x 3	Black	0.03
HW340-FU	25 x 3	Grey	0.03
HW345-FU	25 x 3	Stone	0.03
HW350-FU	25 x 3	White	0.03

- Provides a secure means of fixing flat tape conductors to single ply polypropylene, polyethylene and PVC roof membranes using an industrial heat gun, where solvent welding is not applicable. Manufactured from high grade PVC, UV stabilized against degradation by sunlight and non-brittle to prevent cold weather damage.
- Dressing tool accessory (DT100) enables flat tape to be set at roof level
- Disc diameter 85 mm

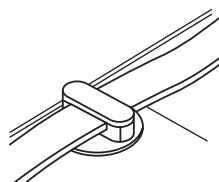


Heat weldable DC tape clip for F.P.O. roofing

Material: High grade polypropylene clip / High grade PVC base

Part No.	Conductor Size (mm)	Colour	Weight Each (kg)
For use with bare tape			
HW415-FU	25 x 3	Brown	0.03
HW420-FU	25 x 3	Grey	0.03
For use with PVC covered tape			
HW425-FU	25 x 3	Brown	0.03
HW430-FU	25 x 3	Black	0.03
HW440-FU	25 x 3	Grey	0.03
HW445-FU	25 x 3	Stone	0.03
HW450-FU	25 x 3	White	0.03

- Provides a secure means of fixing flat tape conductors to single ply polypropylene, polyethylene and PVC roof membranes using an industrial heat gun, where solvent welding is not applicable. Manufactured from high grade PVC, UV stabilized against degradation by sunlight and non-brittle to prevent cold weather damage.
- Dressing tool accessory (DT100) enables flat tape to be set at roof level
- Disc diameter 85 mm



Conductor network

Heat weldable non-metallic conductor clips

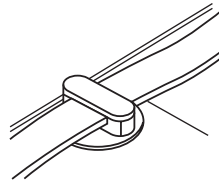


Heat weldable DC tape clip

Material: High grade polypropylene clip / High grade PVC base

Part No.	Conductor Size (mm)	Colour	Weight Each (kg)
For use with bare tape			
HW015-FU	25 x 3	Brown	0.03
HW020-FU	25 x 3	Grey	0.03
For use with PVC covered tape			
HW025-FU	25 x 3	Brown	0.03
HW030-FU	25 x 3	Black	0.03
HW040-FU	25 x 3	Grey	0.03
HW045-FU	25 x 3	Stone	0.03
HW050-FU	25 x 3	White	0.03

- Provides a secure means of fixing flat tape conductors to single ply polypropylene, polyethylene and PVC roof membranes using an industrial heat gun, where solvent welding is not applicable. Manufactured from high grade PVC, UV stabilized against degradation by sunlight and non-brittle to prevent cold weather damage.
- Dressing tool accessory (DT100) enables flat tape to be set at roof level
- Disc diameter 85 mm

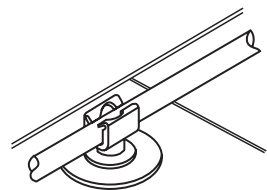


Heat weldable push-in clip

Material: High grade polypropylene clip / High grade PVC base

Part No.	Conductor Diameter (mm)	Colour	Weight Each (kg)
For use with bare solid circular conductor			
HW887	8	Brown	0.03
HW872	8	Grey	0.03
For use with PVC covered solid circular conductor			
HW886	10*	Brown	0.03
HW871	10*	Grey	0.03

- Provides a secure means of fixing circular conductors to single ply polypropylene, polyethylene and PVC roof membranes using an industrial heat gun, where solvent welding is not applicable. Manufactured from high grade PVC, UV stabilized against degradation by sunlight and non-brittle to prevent cold weather damage
- Disc diameter 85 mm
- *PVC covered 8 mm conductor



Conductor network

Non-metallic conductor clip accessories



Universal welding solvent

Clean solution (Acetone)



Universal welding solvent

Dressing tool



Clip accessories

Part No.	Description	Weight Each (kg)
CW905	Universal welding solvent - 500 ml spray applicator (sufficient for application of approx 200 clips) Use with Furse solvent weldable clips only	0.57
CW999	Cleaning solution (Acetone) - 500 ml spray applicator For cleaning lacquered roofing membranes	0.62
CA900	Surface primer - 250 ml spray applicator (sufficient for application of approx 500 clips) Use with Furse adhesive clips only	0.24
DT100	Dressing tool - For use with adhesive and weldable DC tape clips	0.31

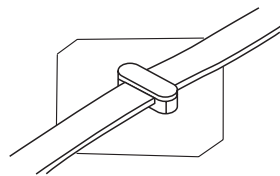
Solvent and surface primer cannot be supplied outside the UK. For overseas projects, please contact us for advice
CoSHH Datasheets available on request

Bitumen felt roof clip

Material: High grade polypropylene clip / Bitumen felt base

Part No.	Conductor Size (mm)	Colour	Weight Each (kg)
For use with bare tape			
FP015	25 x 3	Brown	0.09
FP020	25 x 3	Grey	0.09
For use with PVC covered tape			
FP025	25 x 3	Brown	0.09
FP030	25 x 3	Black	0.09
FP035	25 x 3	Green	0.09
FP040	25 x 3	Grey	0.09
FP045	25 x 3	Stone	0.09
FP050	25 x 3	White	0.09

– Use on bitumen felt roofing only



Conductor network

Roof fixings

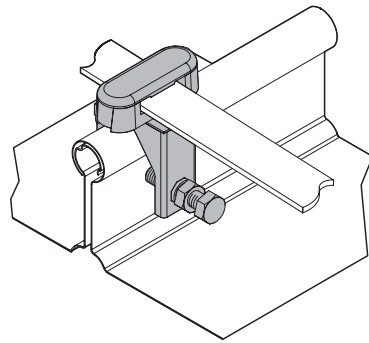


Standing seam roof fixing with non-metallic DC tape clip

Material: High grade polypropylene clip / Spring steel base

Part No.	Conductor Size (mm)	Conductor Material	Colour	Weight Each (kg)
For use with bare tape				
SC015	25 x 3	Copper	–	0.076
SC020	25 x 3	Aluminium	–	0.076
SC210-H	25 x 3	Copper	–	0.08
SC110-H	25 x 3	Aluminium	–	0.07
For use with PVC covered tape				
SC025	25 x 3	Copper/Aluminium	Brown	0.076
SC030	25 x 3	Copper/Aluminium	Black	0.076
SC035	25 x 3	Copper/Aluminium	Green	0.076
SC040	25 x 3	Copper/Aluminium	Grey	0.076
SC045	25 x 3	Copper/Aluminium	Stone	0.076
SC050	25 x 3	Copper/Aluminium	White	0.076
SC215-H	25 x 3	Copper	–	0.09

– Highly versatile, innovative standing seam roof fixing including non-metallic DC tape clip, suitable for use on multi-profiled seam roofing structures up to 22 mm thickness. Use with bare and PVC covered copper and aluminium conductors. Separate datasheet available on request

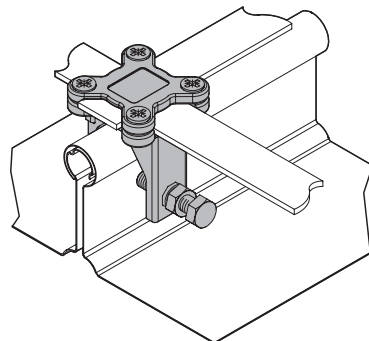


Standing seam roof fixing with square tape clamp

Material: Copper or aluminium alloy clamp / Spring steel base

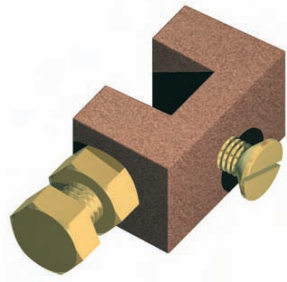
Part No.	Conductor Size (mm)	Colour	Weight Each (kg)
SC105-H	25 x 3	Copper	0.18
SC005-H	25 x 3	Aluminium	0.12

– Highly versatile, innovative standing seam roof fixing including square tape clamp, suitable for use on multi-profiled seam roofing structures up to 22 mm thickness. Use with bare and PVC covered copper and aluminium conductors. Separate datasheet available on request.



Conductor network

Holdfasts

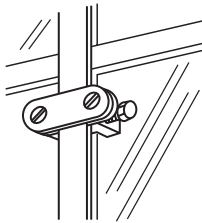


Glazing bar holdfast

Material: Copper or aluminium alloy

Part No.	Conductor Material	Maximum Glazing Bar Width (mm)	Weight Each (kg)
HF705	Copper	12	0.11
HF710	Aluminium	12	0.05

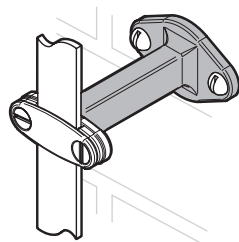
– Manufactured from high quality copper and aluminium alloys. Simple to install, providing secure anchorage to thin metallic sections that cannot be drilled e.g. window mullions, angle iron etc. Once fixed any metallic or non-metallic conductor clip can be attached with the screw provided



Back plate holdfast stem

Part No.	Conductor Material	Weight Each (kg)
HF320	Copper	0.30
HF325-FU	Aluminium	0.10

– Supplied with M6 fixing screw to secure appropriate conductor clip



Conductor network

Holdfasts

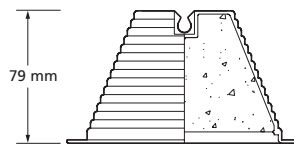
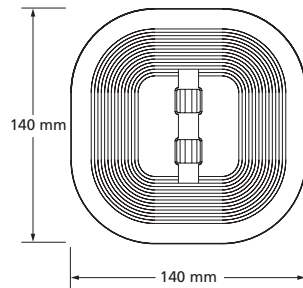


Pyramid holdfast

Material: Concrete filled polypropylene

Part No.	Conductor Material	Weight Each (kg)
HF975	8 mm	0.97

- Designed to secure bare, 8 mm diameter, circular conductors to flat roofs
- Supplied filled with concrete the conductor is held in place by the weight of the holdfast
- The lip around the base of the product permits the holdfast to be built into bitumen type roofs



Conductor network

Slate holdfasts

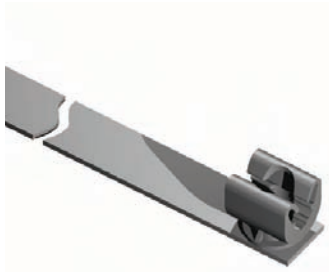
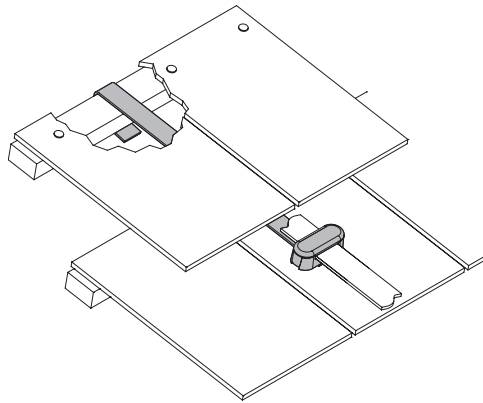


Slate holdfast with non-metallic DC tape clip

Material: High grade polypropylene clip / Aluminium holdfast

Part No.	Conductor Size (mm)	DC Clip Colour	Weight Each (kg)
For use with bare tape			
HF015	25 x 3	Brown	0.06
HF020	25 x 3	Grey	0.06
For use with PVC covered tape			
HF025	25 x 3	Brown	0.06
HF030	25 x 3	Black	0.06
HF040	25 x 3	Grey	0.06
HF045	25 x 3	Stone	0.06

– Designed to allow tape conductors to be fixed to tiled roofs without compromising the waterproofing nature of the roof. The 500 mm tail fits neatly between overlapping tiles and is wrapped around/fixed to the tile lathe for secure fitting

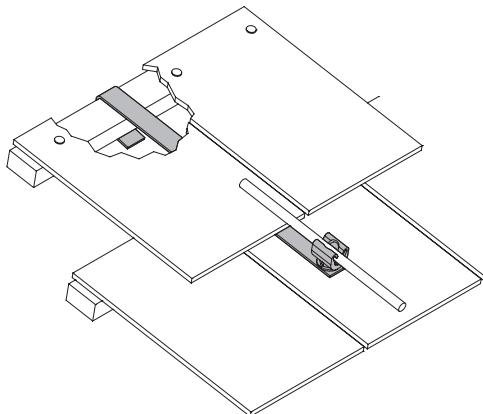


Slate holdfast with non-metallic push-in clip

Material: High grade polypropylene clip / Aluminium holdfast

Part No.	Conductor Diameter (mm)	Colour	Weight Each (kg)
HF176	8	Brown	0.03
HF191	8	Grey	0.03

– Designed to allow circular conductors to be fixed to tiled roofs without compromising the waterproofing nature of the roof. The 500 mm tail fits neatly between overlapping tiles and is wrapped around/fixed to the tile lathe for secure fitting



Conductor network

Conductor clamps



Square crossover clamp

Material: Copper or aluminium alloy

Part No.	Conductor Size (mm)	Conductor Material	Weight Each (kg)
CT105-H*	25 x 3	Copper	0.12
CT110-H*	25 x 6	Copper	0.30
CT115-H*	50 x 6	Copper	0.60
CT005-H	25 x 3	Aluminium	0.06
CT010-H	25 x 6	Aluminium	0.17

– Manufactured from high quality copper and aluminium alloys. Simple to install, providing an effective low resistance connection between overlapping tapes to allow cross, tee, through and right angle joints to be formed

– Fix using countersunk wood screws 1 1/2" No. 10 or M6 (Part no. SW005 or SW105) and wall plugs (Part no. PS305)

– Tightening torque 5 Nm

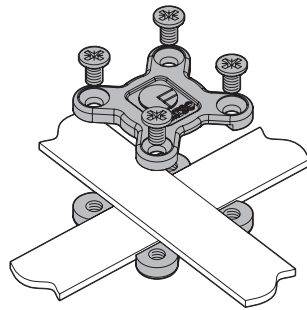
*UL96 (CT105H, CT110-H, CT115-H)

Standards



UL96

BS EN 50164-1 Class H



Crossover clamp

Material: Copper or aluminium alloy

Part No.	Conductor Size (mm)	Conductor Material	Weight Each (kg)
CX105-H	25 x 3	Copper	0.09
CX005-H	25 x 3	Aluminium	0.03

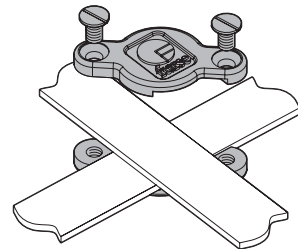
– Manufactured from high quality copper and aluminium alloys. Simple to install, providing an effective low resistance connection between overlapping tapes to allow cross joints to be formed

– Fix using countersunk wood screws 1 1/2" No. 10 or M6 (Part no. SW005 or SW105) and wall plugs (Part no. PS305)

– Tightening torque 5 Nm

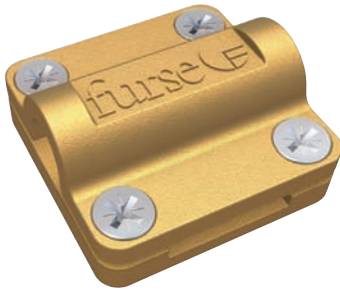
Standards

BS EN 50164-1 Class H



Conductor network

Conductor clamps



Cable to tape square clamp

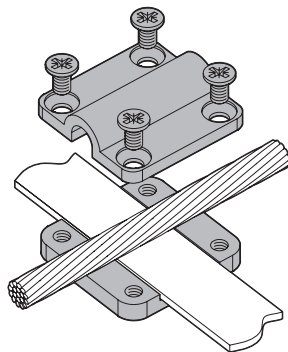
Material: Copper or aluminium alloy

Part No.	Conductor Size	Conductor Material	Weight Each (kg)
CT125	25 x 3 mm to 50 mm ²	Copper	0.32
CT130	25 x 3 mm to 70 mm ²	Copper	0.30
CT135	25 x 3 mm to 95 mm ²	Copper	0.28

- Manufactured from high quality copper alloy. Simple to install, providing an effective low resistance connection between conductor tape and stranded copper conductor, allowing cross, tee, through and right angle joints to be formed
- Fix using countersunk wood screws 1 1/2" No. 10 or M6 (Part no. SW005 or SW105) and wall plugs (Part no. PS305)
- Tightening torque 5 Nm

Standards

BS EN 50164-1 Class H



Cable to cable square clamp

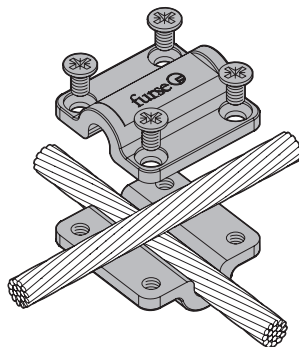
Material: Copper alloy

Part No.	Conductor Size (mm ²)	Conductor Material	Weight Each (kg)
CR810	50	Copper	0.32
CR815	70	Copper	0.29
CR820	95	Copper	0.25

- Manufactured from high quality copper alloy. Simple to install, providing an effective low resistance connection between overlapping stranded conductors allowing cross, tee, through and right angle joints to be formed
- Tightening torque 5 Nm

Standards

BS EN 50164-1 Class H



Conductor network

Conductor clamps



Mini square clamp

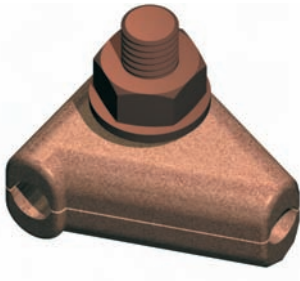
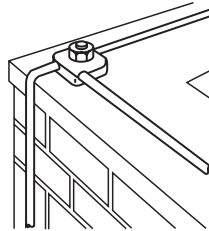
Material: Copper or aluminium alloy

Part No.	Conductor Size (mm)	Conductor Material	Weight Each (kg)
CS605	8	Copper	0.17
CS610	8	Aluminium	0.07

- Designed to provide low resistance cross joints in solid circular conductor networks. Manufactured from high quality copper and aluminium alloys for excellent corrosion resistance
- Tightening torque 12 Nm

Standards

BS EN 50164-1 Class H



Tee clamp

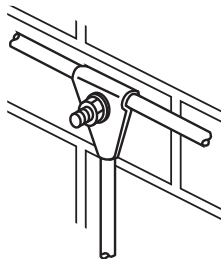
Material: Copper or aluminium alloy

Part No.	Conductor Size (mm)	Conductor Material	Weight Each (kg)
CS505	8	Copper	0.17
CS510	8	Aluminium	0.07

- Designed to provide low resistance tee joints in solid circular conductor networks. Manufactured from high quality copper and aluminium alloys for excellent corrosion resistance
- Tightening torque 12 Nm

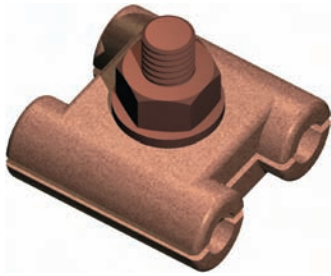
Standards

BS EN 50164-1 Class H



Conductor network

Conductor clamps



Jointing clamp

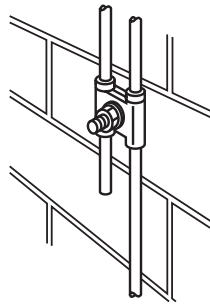
Material: Copper or aluminium alloy

Part No.	Conductor Size (mm)	Conductor Material	Weight Each (kg)
CS405	8	Copper	0.17
CS410	8	Aluminium	0.08

- Designed to provide low resistance parallel joints in solid circular conductor networks. Manufactured from high quality copper and aluminium alloys for excellent corrosion resistance
- Tightening torque 12 Nm

Standards

BS EN 50164-1 Class H



Test / Junction clamp

Material: Copper or aluminium alloy

Part No.	Conductor Size (mm)	Conductor Material	Weight Each (kg)
CN105-H**	26 x 8	Copper	0.29
CN005*	26 x 8	Aluminium	0.12

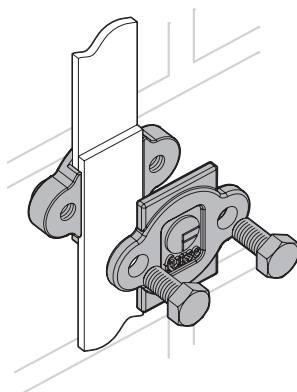
- Manufactured from high quality copper and aluminium alloys. Simple to install, providing an effective low resistance connection between overlapping tapes. The clamped connection is easily made/remade to allow for periodic testing
- Tightening torque CN005 15 Nm; CN105-H 13 Nm
- * Not as illustrated (drawing available on request)
- **UL96 (CN105-H)

Standards



UL96

BS EN 50164-1 Class H



Conductor network

Conductor clamps

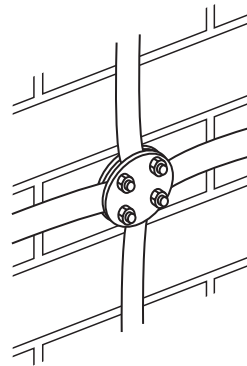


Plate type test clamp

Material: Copper or aluminium alloy

Part No.	Conductor Size (mm)	Conductor Material	Weight Each (kg)
CT405	26 x 12	Copper	0.62

- Manufactured from a high quality copper alloy. Simple to install, providing an effective low resistance connection between overlapping tapes.
- The clamped connection is easily made/remade to allow for periodic testing. Enables cross, tee, through and right angle joints to be formed
- Fix using countersunk wood screws 1 1/2" No. 10 or M6 (Part no. SW005) and wall plugs (Part no. PS305)
- Tightening torque 15 Nm



Standards

BS EN 50164-1 Class H

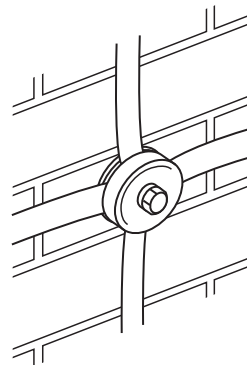


Screwdown test clamp

Material: Copper or aluminium alloy

Part No.	Conductor Size (mm)	Conductor Material	Weight Each (kg)
CT305	26 x 8	Copper	0.84

- Manufactured from a high quality copper alloy. Simple to install, providing an effective low resistance connection between overlapping tapes.
- The clamped connection is easily made/remade to allow for periodic testing. Enables cross, tee, through and right angle joints to be formed
- Fix using countersunk wood screws 1 1/2" No. 10 or M6 (Part no. SW005) and wall plugs (Part no. PS305)
- Tightening torque 20 Nm

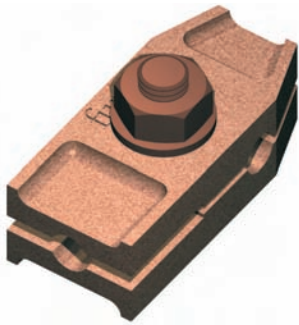


Standards

BS EN 50164-1 Class H

Conductor network

Conductor clamps



Test clamp

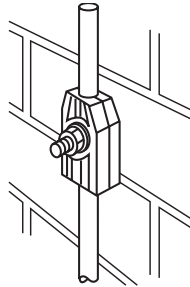
Material: Copper or aluminium alloy

Part No.	Conductor Diameter (mm)	Conductor Size (mm)	Conductor Material	Weight Each (kg)
CN305	8	25 x 3	Copper	0.20
CN310	8	25 x 3	Aluminium	0.09

- Designed to provide low resistance tee joints in solid circular conductor networks. These multi-purpose clamps can produce circular to circular or circular to tape connection in both through and tee configurations. Manufactured from high quality copper and aluminium alloys for excellent corrosion resistance.
- Tightening torque 12 Nm

Standards

BS EN 50164-1 Class H



Square test clamp

Material: Copper alloy

Part No.	Conductor Diameter (mm ²)	Conductor Material	Weight Each (kg)
CR855	50	Copper	0.39
CR860	70	Copper	0.40
CR865	95	Copper	0.40
CR870	120	Copper	TBC

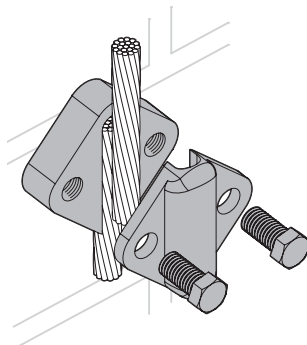
- Manufactured from high quality copper alloy. Simple to install, providing an effective low resistance overlap connection between stranded copper cables
- Fix using countersunk wood screws 1 1/2" No. 10 or M6 (Part no. SW005) and wall plugs (Part no. PS305)
- Tightening torque 12 Nm

Standards



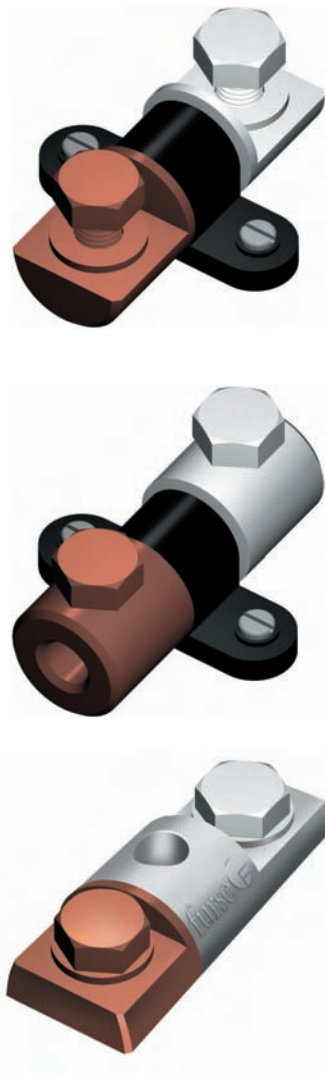
UL96

BS EN 50164-1 Class H



Conductor network

Bimetallic connectors



Bimetallic connector

Material: Friction welded high conductivity copper and aluminium to BS EN 50164-1 Class H

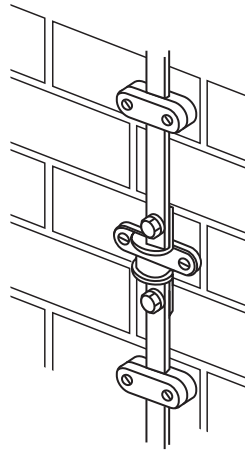
Part No.	Conductor Size	Weight Each (kg)
CN910	25 x 3 mm aluminium tape to 25 x 3 mm copper tape	0.19
CN910-UL*	1 1/2" x 1/8" aluminium tape to 1" x 1/8" copper tape	0.19
CN915	8 mm diameter aluminium conductor to 8 mm diameter copper conductor	0.25
CN920	8 mm diameter aluminium conductor to 25 x 3 mm copper tape	0.19
CN925	25 x 3 mm aluminium tape to 25 x 3 mm copper tape	0.20

– Manufactured from a friction welded joint between high conductivity copper and aluminium to provide the ideal means of interconnecting copper and aluminium conductors whilst avoiding bimetallic corrosion

– Fix using countersunk wood screws 1 1/2" No. 10 or M6 (Part no. SW005 or SW105) and wall plugs (Part no. PS305)

– Tightening torque 12 Nm

*UL96 (CN910-UL)



Standards



UL96

BS EN 50164-1 Class H

Conductor network

Accessories



Oxide inhibiting compound

Material: Natural-petroleum based polymer grease

Part No.	Conductor Description	Weight Each (kg)
CM005	Plastic 8 oz bottle	0.23

- For all the items in this range we recommend the use of oxide inhibitor when aluminium fittings are installed
- Oxide inhibitor is a non-water soluble, natural-petroleum based polymer grease that seals electrical connections from oxygen and moisture CoSHH Datasheet available on request

Expansion braid bond

Material: Copper alloy to BS EN 50164-1 Class H



Part No.	Type	Conductor Material	Length (mm)	Cross-sectional area (mm ²)	Weight Each (kg)
BN101	Single length	Copper	200	50	0.17
BN001	Single length	Aluminium	200	50	0.07
BN102	Cross-over	Copper	300	50	0.53
BN002	Cross-over	Aluminium	300	50	0.23

- Designed to remove the risk of damage or distortion to long conductor runs caused by thermal expansion and contraction

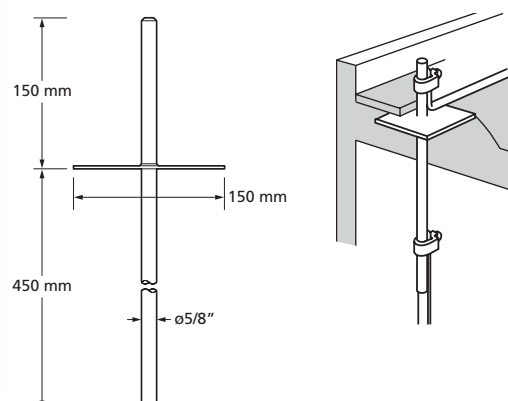
Puddle flange

Material: Copper or aluminium alloy



Part No.	Conductor Material	Weight Each (kg)
PF105	Copper	1.54
PF005	Aluminium	0.50

- Permits lightning conductors to pass through flat roofs without damaging the waterproof nature of the roof



Conductor network Accessories



Countersunk wood screws

Material: Zinc plated steel or Brass

Part No.	Material	Size	Weight Per 100 (kg)
SW105	Zinc plated steel	1 1/2" x No.10	0.50
SW110	Zinc plated steel	1 1/2" x No.12	0.60
SW005	Brass	1 1/2" x No.10	0.50
SW010	Brass	1 1/2" x No.12	0.60



Countersunk set screws

Material: Brass

Part No.	Material	Size (mm)	Weight Per 100 (kg)
SS160	Brass	M6 x 30	0.60



Roundhead wood screws

Material: Zinc plated steel or Brass

Part No.	Material	Size	Weight Each (kg)
SW405	Zinc plated steel	1 1/2" x No.10	0.50
SW305	Brass	1 1/2" x No.10	0.50



Hexagon head set screws

Material: Phosphor bronze or Brass

Part No.	Material	Size (mm)	Weight Each (kg)
SS635	Phosphor bronze	M10 x 25	2.85
SS640	Phosphor bronze	M10 x 35	3.40
SS650	Phosphor bronze	M12 x 25	4.50
SS655	Phosphor bronze	M12 x 35	5.00
SS165	Brass	M8 x 16	1.75
SS140	Brass	M10 x 25	2.50
SS145	Brass	M10 x 35	3.20
SS150	Brass	M12 x 25	3.80
SS155	Brass	M12 x 35	4.70

Conductor network

Accessories



Plastic wall plugs

Material: Plastic

Part No.	Material	Size	Weight Each (kg)
PS305	Red	No.10	0.06
PS310	Brown	No.12	0.06



Hexagon nuts

Material: Phosphor bronze or Brass

Part No.	Material	Size	Weight Each (kg)
NU367	Phosphor bronze	M10	1.25
NU370	Phosphor bronze	M12	1.80
NU165	Brass	M6	0.25
NU166	Brass	M8	0.80
NU167	Brass	M10	1.15
NU170	Brass	M12	1.65



Roundhead rivets

Material: Copper or Aluminium

Part No.	Material	Size (mm)	Weight Per 100 (kg)
RV105	Copper	5 x 12	0.35
RV110	Copper	5 x 20	0.45
RV005	Aluminium	5 x 12	0.12
RV010	Aluminium	5 x 20	0.15



Spring washers

Material: Phosphor bronze

Part No.	Material	Size (mm)	Weight Per 100 (kg)
WS365	Phosphor bronze	6	0.04
WS367	Phosphor bronze	10	0.20
WS370	Phosphor bronze	12	0.20
TBC	Stainless steel	6	0.04
TBC	Stainless steel	10	0.20
TBC	Stainless steel	12	0.20

Conductor network

Accessories



Masonry drills

Material: Hardened steel

Part No.	Size	Weight Each (kg)
DL005	No.10	0.02
DL010	No.12	0.02



Roundhead copper nails

Material: Copper

Part No.	Size (mm)	Weight Per 100 (kg)
NA005	50 long	0.70



Plain washers

Material: Phosphor bronze, Brass or Stainless steel

Part No.	Material	Size (mm)	Weight Per 100 (kg)
WR365	Phosphor bronze	6	0.05
WR367	Phosphor bronze	10	0.25
WR370	Phosphor bronze	12	0.50
WR165	Brass	6	0.05
WR175	Brass	8	0.15
WR167	Brass	10	0.25
WR170	Brass	12	0.50
TBC	Stainless steel	6	0.05
TBC	Stainless steel	8	0.15
TBC	Stainless steel	10	0.25
TBC	Stainless steel	12	0.50



Insulating tape

Material: ?

Part No.	Size	Weight Each (kg)
TP120-FU	25 mm x 33 m	0.14

Green/yellow general purpose insulating tape

Conductor network Accessories



Denso tape

Material: ?

Part No.	Size	Weight Each (kg)
TD005	50 mm x 10 m	0.76

– A waterproof tape for wrapping underground joints



Tinmans solder

Material: 60% Tin, 40% Lead

Part No.	Material	Weight Each (kg)
SA105	60% tin, 40% lead	0.26



Silfos

Material: Silver, phosphorous and copper alloy

Part No.	Coil Size	Thickness (mm)	Weight Each (kg)
FS005	50 mm x 8 m	0.12	0.50

– An alloy of silver, phosphorous and copper. Used to braze copper in air without the use of Flux CoSHH Datasheet available on request



Flux

Material: Grease based paste

Part No.	Material	Weight Each (kg)
SA115	Flux	0.08

– Use with tinmans solder for general purpose soldering of copper products CoSHH Datasheet available on request