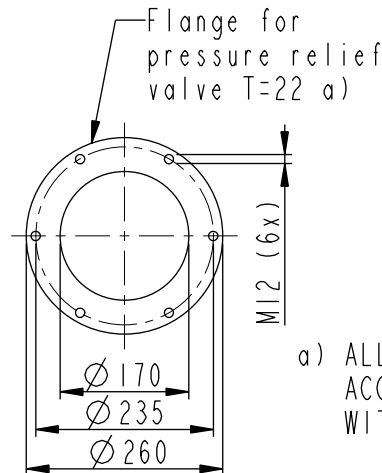
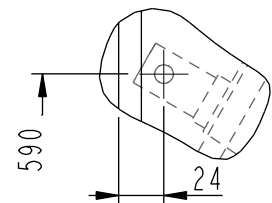
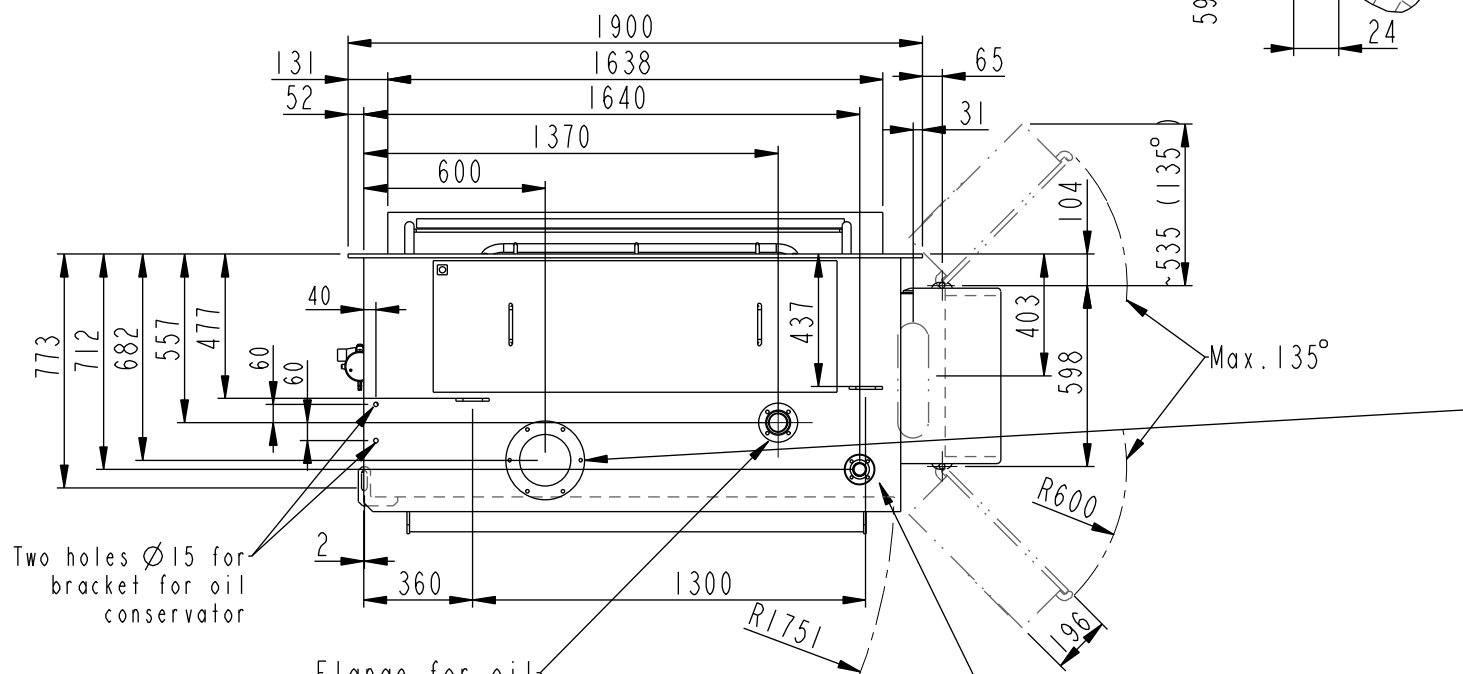
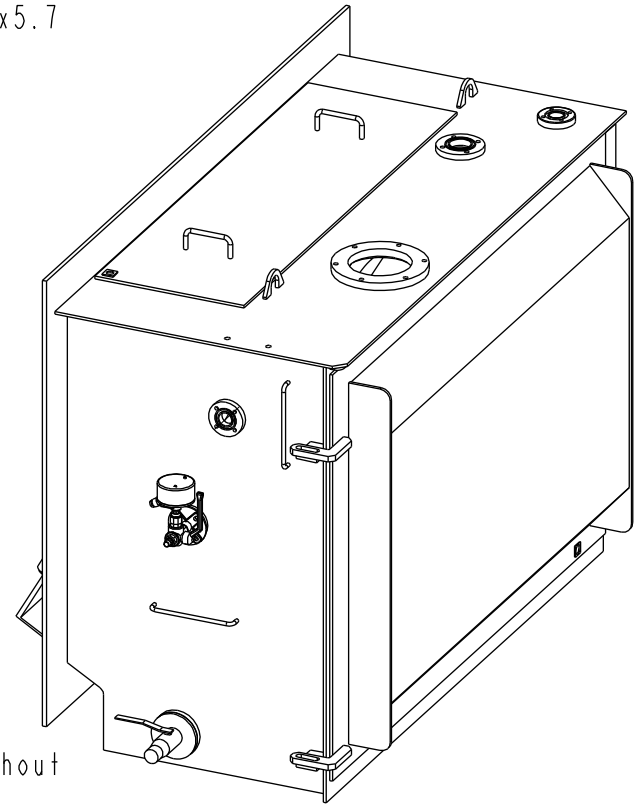
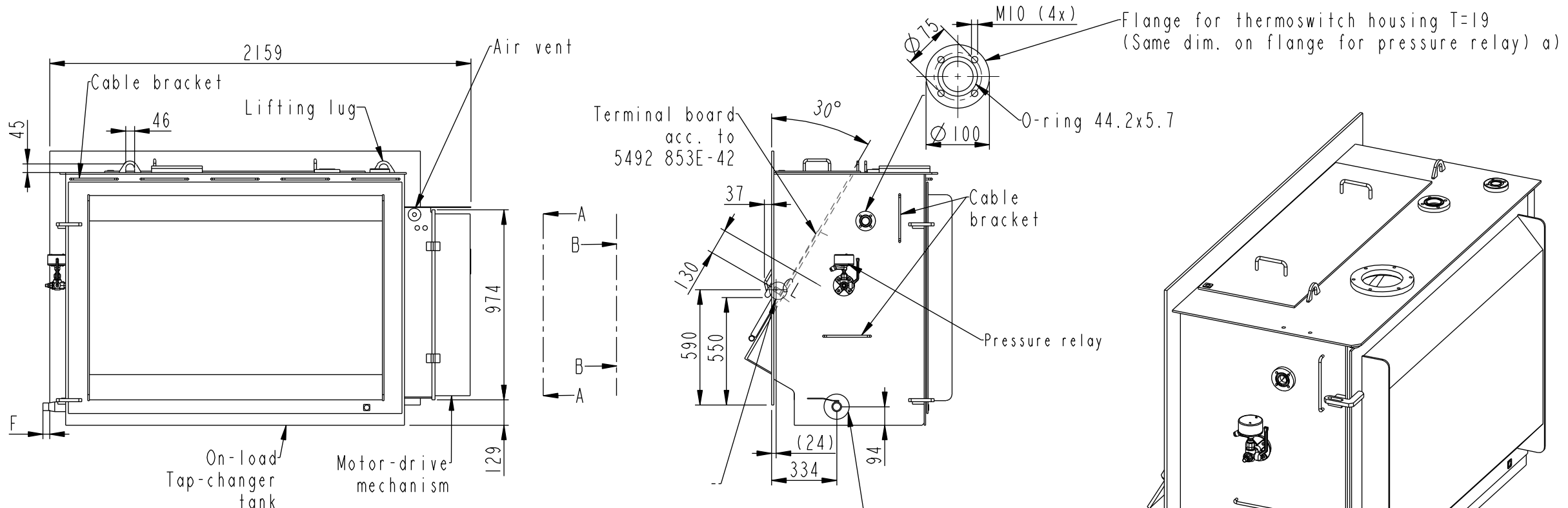


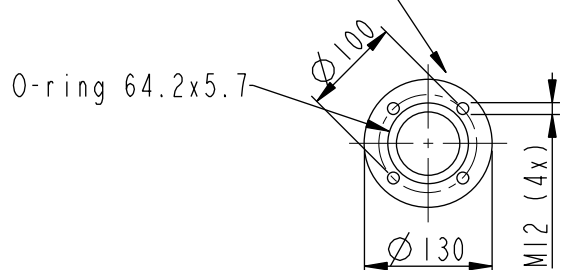
We reserve all rights in this document and in the information contained therein. Reproduction, use or disclosure to third parties without express authority is strictly forbidden. ©ABB

Valve	F
R 1 1/2"	37
1 1/2" NPT	27
1 1/2" NPT with test device	72



a) ALL FLANGES WITHOUT ACCESSORIES DELIVERED WITH COVER PLATES

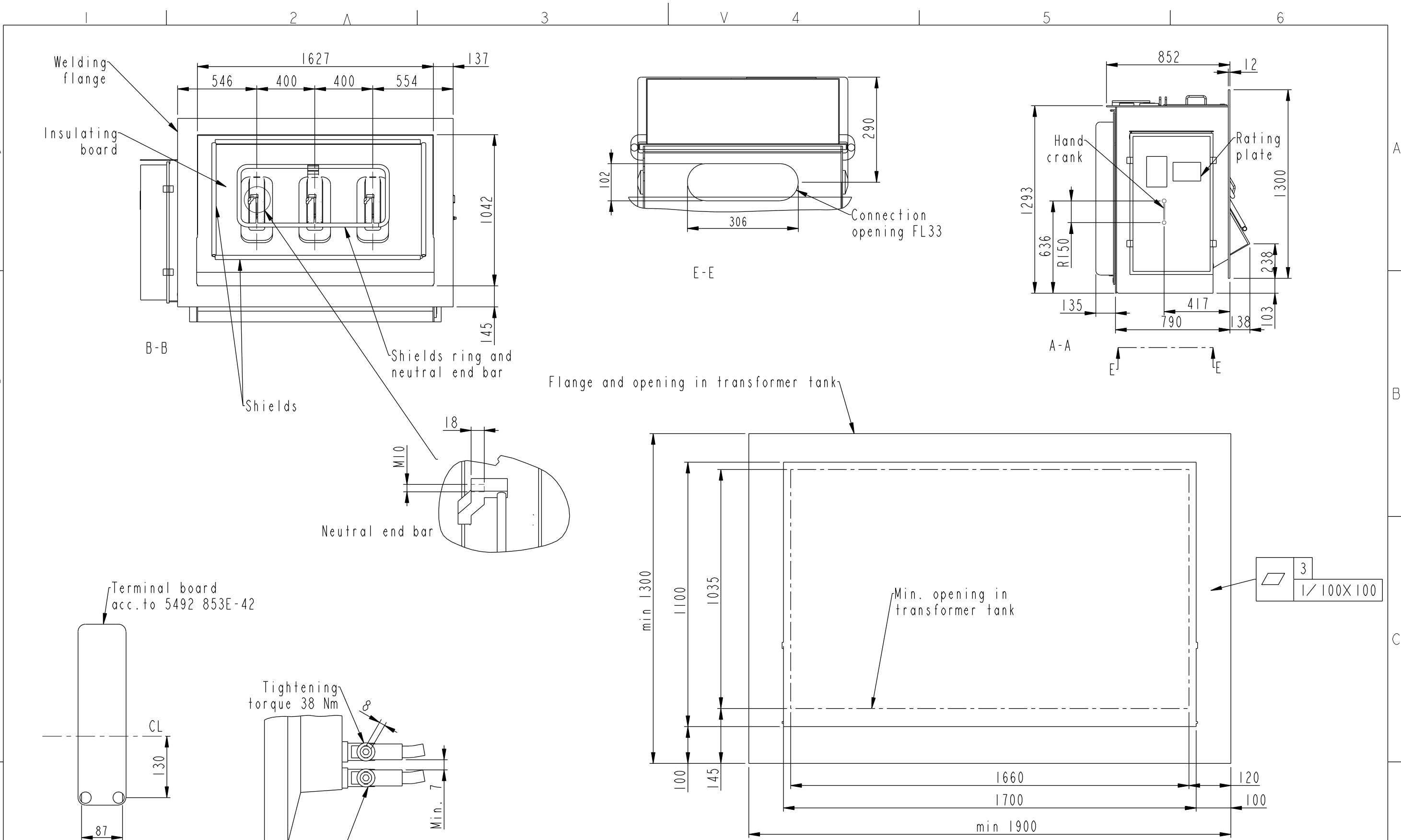
Mass: 1100 kg without oil
 Required oil: 1050 kg (1200 litres)
 Total mass: 2150 kg



These flange dimensions are also valid for flange for valve for oil filling and draining

Based on	Reg. No.	Title	Language en
Prepared T Sapila 96-10-11	Responsible department COM/TK	TAP-CHANGER UZF	
Approved M Eriksson	Take over department	UZF.N 550KV AND 650KV	Page 1(2)
Revision Rev.3 06-10-10	Database DIMENSION_DWGS	Standard tank. Welding flange	
ABB Components		Document No.	54920090-8

We reserve all rights in this document and in the information contained therein. Reproduction, use or disclosure to third parties without express authority is strictly forbidden. ©ABB



ADDITIONAL DRAWINGS:
 Connection Diagrams: See Technical Guide UZ
 Accessories: 54920090-9
 Pressure Relay: 54920083-2
 Oil Conservator: 54920090-12

Based on	Reg. No.	Title	
Prepared T Sapila 96-10-11	Responsible department COM/TK	TAP-CHANGER UZF UZF.N 550KV AND 650KV	Language 82
Approved M Eriksson	Take over department		
Revision Rev. 3 06-10-10	Database DIMENSION_DWGS	Page 2(2)	
ABB ABB Components		Document No. 54920090-8	