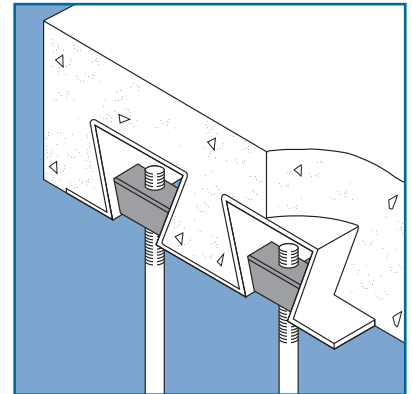
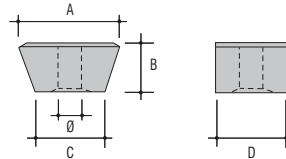


Wedge nuts

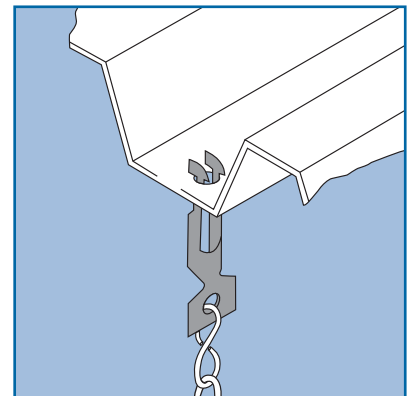
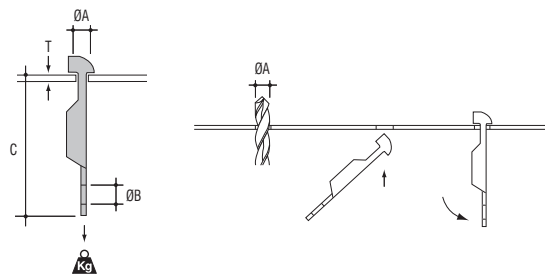
Part No.	Ø	A (mm)	B (mm)	C (mm)	D (mm)	Load rating (kg)	Material finishes*	Quantity (pieces)
WN6	M6	25	13	19	12	20	F1	100
WN8	M8	25	13	19	12	36	F1	100
WN10	M10	25	13	19	12	58	F1	100

Thomas & Betts is unable to provide any information about the load capacities of Holorib decking and the behaviour of wedge nuts in the slots of 'V' profiles when loads are applied.



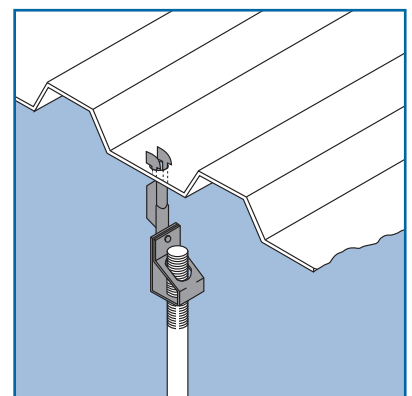
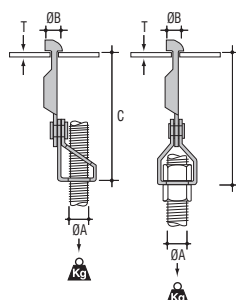
Decking clips for chain and wire

Part No.	T (mm)	ØA (mm)	ØB (mm)	C (mm)	Load rating (kg)	Material finishes*	Quantity (pieces)
NH-083	0.8-2	7	6.5	45	45	F8+	100
	2-3	7	6.5	45	90	F8+	100

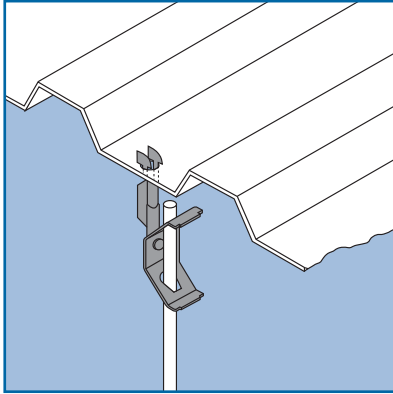


Decking clips for threaded rod

Part No.	T (mm)	ØA (mm)	ØB (mm)	C (mm)	Load rating (kg)	Material finishes*	Quantity (pieces)
NH083-AM127	0.8-2	12.7	7	74	45	F8+	25
	2-3	12.7	7	74	68	F8+	25
NH083-AM6T	0.8-2	M6	7	74	45	F8+	25
	2-3	M6	7	74	68	F8+	25
NH083-AM8T	0.8-2	M8	7	74	45	F8+	25
	2-3	M8	7	74	68	F8+	25
NH083-AM10T	0.8-2	M10	7	74	45	F8+	25
	2-3	M10	7	74	68	F8+	25
NH083-YM127	0.8-2	12.7	7	76	45	F8+	25
	2-3	12.7	7	76	90	F8+	25

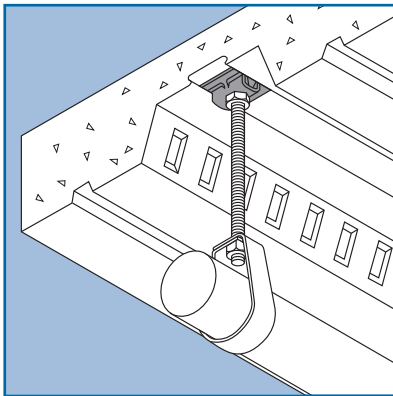
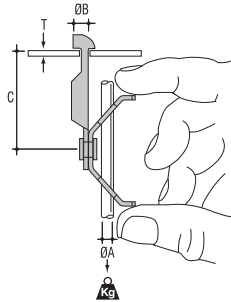


* See page 50 for material finishes



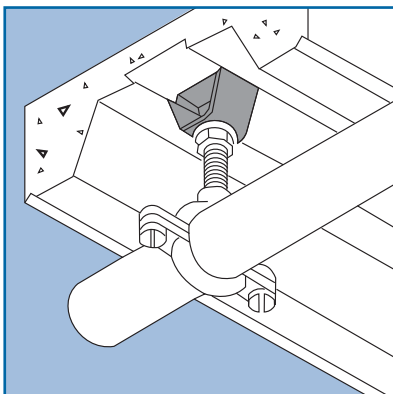
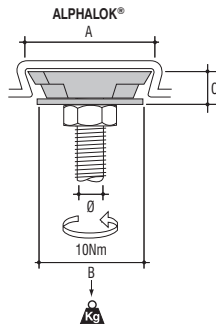
Decking clips for rod

Part No.	T (mm)	ØA (mm)	ØB (mm)	C (mm)	Load rating (kg)	Material finishes*	Quantity (pieces)
NH083-BM6	0.8-2	6	7	45	45	F8+	25
	2-3	6	7	45	90	F8+	
NH083-BM8	0.8-2	8	7	45	45	F8+	25
	2-3	8	7	45	90	F8+	
NH083-BM10	0.8-2	10	7	45	45	F8+	25
	2-3	10	7	45	90	F8+	



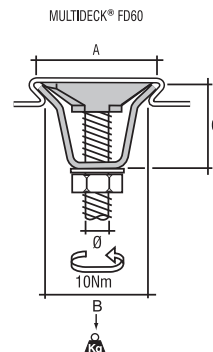
Decking clips for threaded rod

Part No.	A (mm)	B (mm)	C (mm)	Ø (mm)	Load rating (kg)	Material finishes*	Quantity (pieces)
DWH-6T	50	40	15	M6	100	F1	25
DWH-8T	50	40	15	M8	100	F1	25
DWH-10T	50	40	15	M10	100	F1	25



Decking clips for threaded rod

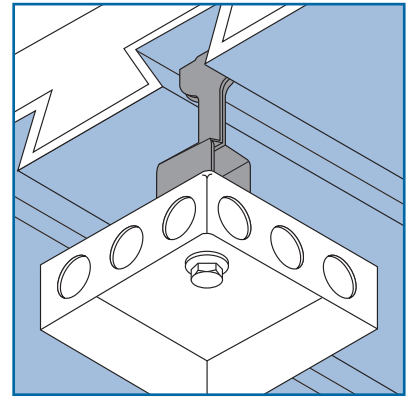
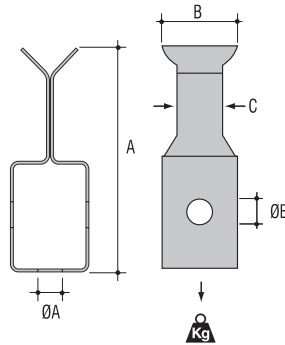
Part No.	A (mm)	B (mm)	C (mm)	Ø (mm)	Load rating (kg)	Material finishes*	Quantity (pieces)
DMH-6T	50	40	34	M6	150	F1	25
DMH-8T	50	40	34	M8	150	F1	25
DMH-10T	50	40	34	M10	150	F1	25



* See page 50 for material finishes

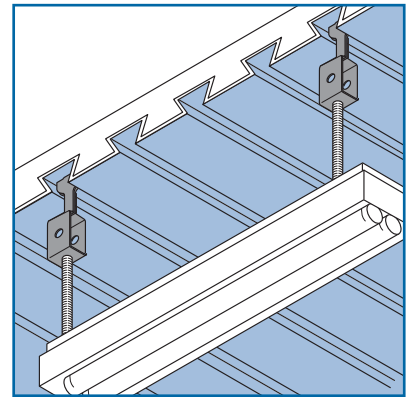
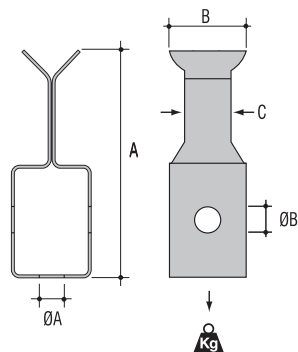
Decking clips for conduit box

Part No.	ØA (mm)	ØB (mm)	A (mm)	B (mm)	C (mm)	Load rating (kg)	Material finishes*	Quantity (pieces)
DH1217-105	10.5	6.5	60	20	11.5	60	F3	100
DH1217-65	6.5	6.5	60	20	11.5	60	F3	100
DH1722-105	10.5	6.5	60	25	16.5	60	F3	100
DH1722-65	6.5	6.5	60	25	16.5	60	F3	100

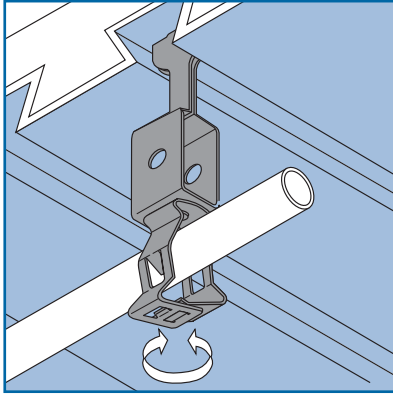


Decking clips for threaded rod

Part No.	ØA (mm)	ØB (mm)	A (mm)	B (mm)	C (mm)	Load rating (kg)	Material finishes*	Quantity (pieces)
DH1217-M8	M8	6.5	60	20	11.5	60	F3	100
DH1217-M10	M10	6.5	60	20	11.5	60	F3	100
DH1722-M8	M8	6.5	60	25	16.5	60	F3	100
DH1722-M10	M10	6.5	60	25	16.5	60	F3	100

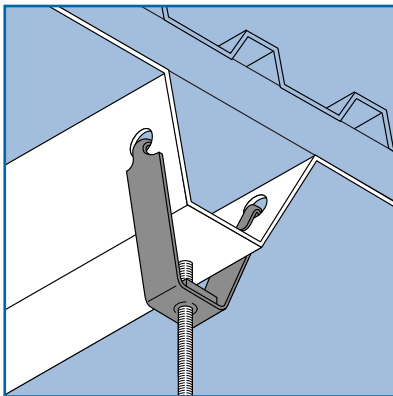
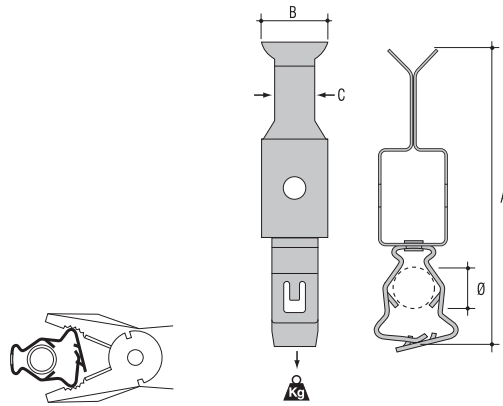


* See page 50 for material finishes



Decking clips for conduit

Part No.	Ø (mm)	A (mm)	B (mm)	C (mm)	PG type	Load rating (kg)	Material finishes*	Quantity (pieces)
DH1217-GM1219	12-19	104	20	11.5	7/9/11	45	F3	25
DH1217-GM1926	19-26	104	20	11.5	13.5/16	45	F3	25
DH1217-GM2632	26-32	115	20	11.5	21	45	F3	25
DH1217-GM3240	32-40	128	20	11.5	29	45	F3	25
DH1217-GM4047	40-47	139	20	11.5	36	45	F3	25
DH1217-GM4757	47-57	147	20	11.5	36/42	45	F3	25
DH1722-GM1219	12-19	104	25	16.5	7/9/11	45	F3	25
DH1722-GM1926	19-26	104	25	16.5	13.5/16	45	F3	25
DH1722-GM2632	26-32	115	25	16.5	21	45	F3	25
DH1722-GM3240	32-40	128	25	16.5	29	45	F3	25
DH1722-GM4047	40-47	139	25	16.5	36	45	F3	25
DH1722-GM4757	47-57	147	25	16.5	36/42	45	F3	25



Decking clips for threaded rod

Part No.	ØA (mm)	A (mm)	B (mm)	C (mm)	Load rating (kg)	Material finishes*	Quantity (pieces)
DH-50	10.5	100	30	8	75	F8+	50
DHN-6T*	M6	-	-	-	75	F7	50
DHN-8T*	M8	-	-	-	75	F7	50
DHN-10T*	M10	-	-	-	75	F7	50

* Nut only

