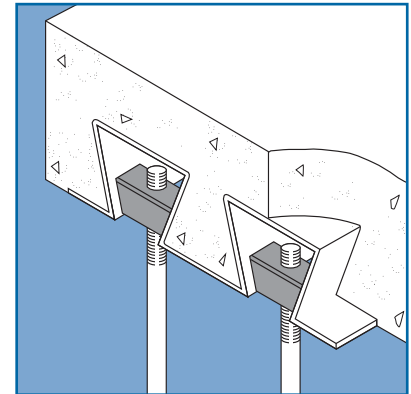
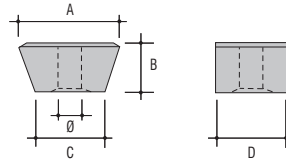


## Wedge nuts

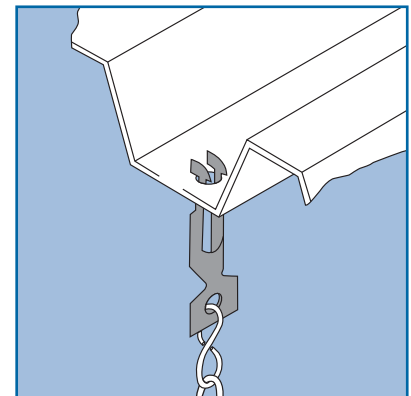
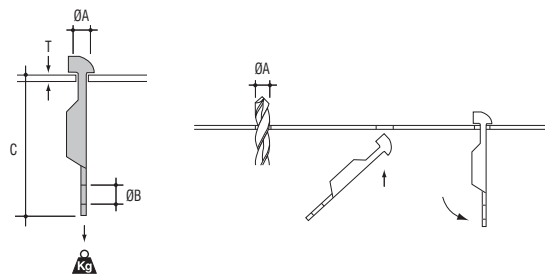
Part No.	Ø	A (mm)	B (mm)	C (mm)	D (mm)	Load rating (kg)	Material finishes*	Quantity (pieces)
WN6	M6	25	13	19	12	20	F1	100
WN8	M8	25	13	19	12	36	F1	100
WN10	M10	25	13	19	12	58	F1	100

Thomas & Betts is unable to provide any information about the load capacities of Holorib decking and the behaviour of wedge nuts in the slots of 'V' profiles when loads are applied.



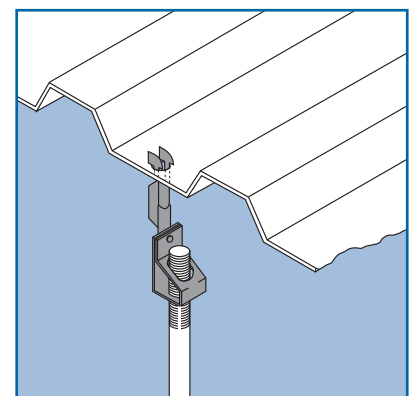
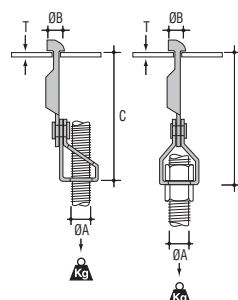
## Decking clips for chain and wire

Part No.	T (mm)	ØA (mm)	ØB (mm)	C (mm)	Load rating (kg)	Material finishes*	Quantity (pieces)
NH-083	0.8-2	7	6.5	45	45	F8+	100
	2-3	7	6.5	45	90	F8+	100

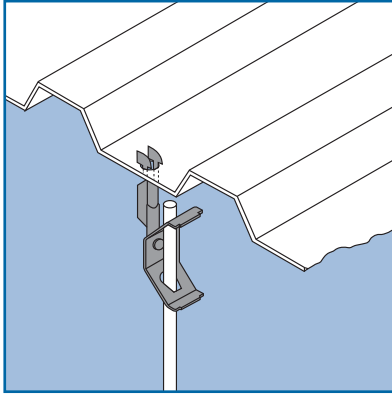


## Decking clips for threaded rod

Part No.	T (mm)	ØA (mm)	ØB (mm)	C (mm)	Load rating (kg)	Material finishes*	Quantity (pieces)
NH083-AM127	0.8-2	12.7	7	74	45	F8+	25
	2-3	12.7	7	74	68	F8+	25
NH083-AM6T	0.8-2	M6	7	74	45	F8+	25
	2-3	M6	7	74	68	F8+	25
NH083-AM8T	0.8-2	M8	7	74	45	F8+	25
	2-3	M8	7	74	68	F8+	25
NH083-AM10T	0.8-2	M10	7	74	45	F8+	25
	2-3	M10	7	74	68	F8+	25
NH083-YM127	0.8-2	12.7	7	76	45	F8+	25
	2-3	12.7	7	76	90	F8+	25

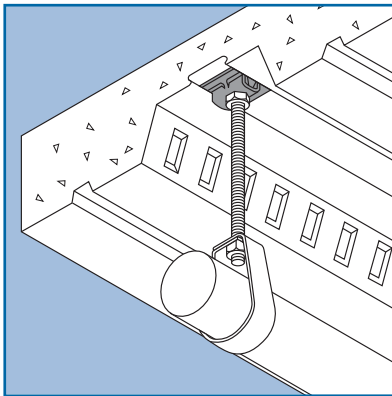
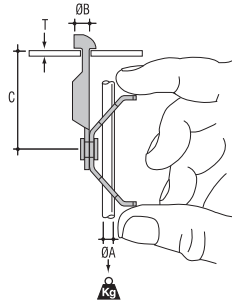


\* See page 50 for material finishes



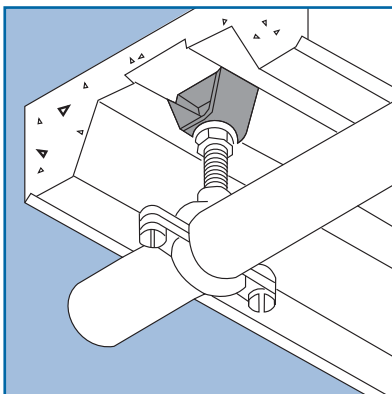
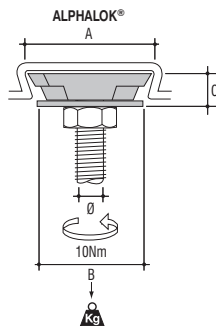
## Decking clips for rod

Part No.	T (mm)	ØA (mm)	ØB (mm)	C (mm)	Load rating (kg)	Material finishes*	Quantity (pieces)
NH083-BM6	0.8-2	6	7	45	45	F8+	25
	2-3	6	7	45	90	F8+	
NH083-BM8	0.8-2	8	7	45	45	F8+	25
	2-3	8	7	45	90	F8+	
NH083-BM10	0.8-2	10	7	45	45	F8+	25
	2-3	10	7	45	90	F8+	



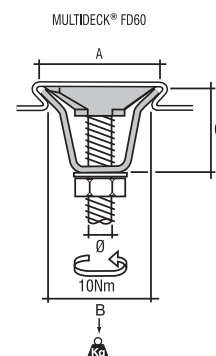
## Decking clips for threaded rod

Part No.	A (mm)	B (mm)	C (mm)	Ø (mm)	Load rating (kg)	Material finishes*	Quantity (pieces)
DWH-6T	50	40	15	M6	100	F1	25
DWH-8T	50	40	15	M8	100	F1	25
DWH-10T	50	40	15	M10	100	F1	25



## Decking clips for threaded rod

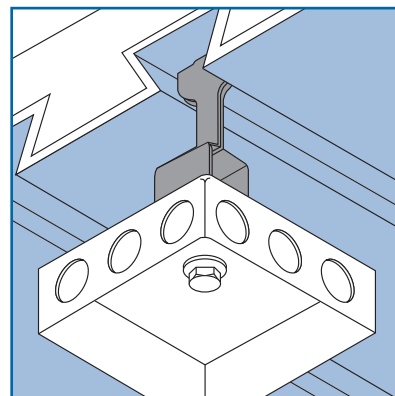
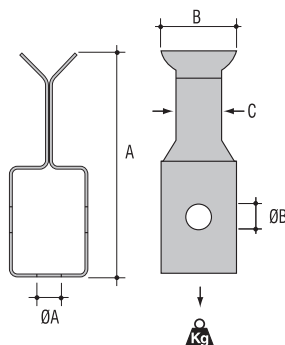
Part No.	A (mm)	B (mm)	C (mm)	Ø (mm)	Load rating (kg)	Material finishes*	Quantity (pieces)
DMH-6T	50	40	34	M6	150	F1	25
DMH-8T	50	40	34	M8	150	F1	25
DMH-10T	50	40	34	M10	150	F1	25



\* See page 50 for material finishes

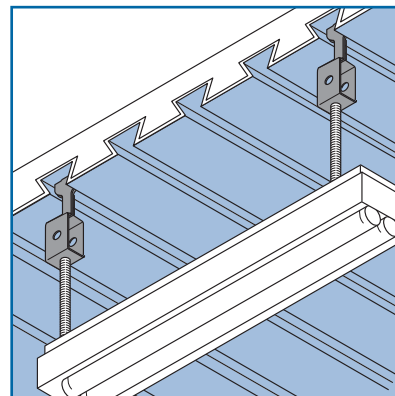
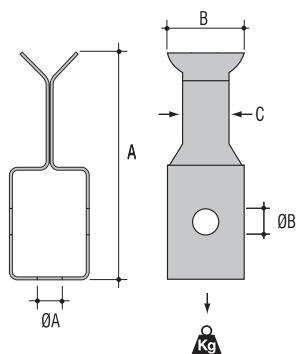
## Decking clips for conduit box

Part No.	ØA (mm)	ØB (mm)	A (mm)	B (mm)	C (mm)	Load rating (kg)	Material finishes*	Quantity (pieces)
DH1217-105	10.5	6.5	60	20	11.5	60	F3	100
DH1217-65	6.5	6.5	60	20	11.5	60	F3	100
DH1722-105	10.5	6.5	60	25	16.5	60	F3	100
DH1722-65	6.5	6.5	60	25	16.5	60	F3	100

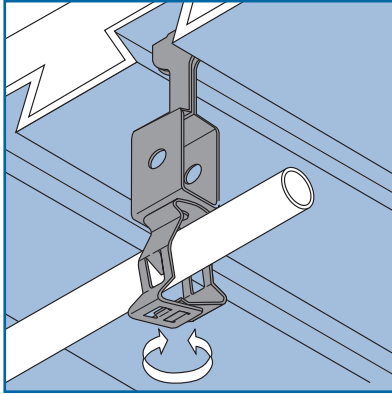


## Decking clips for threaded rod

Part No.	ØA (mm)	ØB (mm)	A (mm)	B (mm)	C (mm)	Load rating (kg)	Material finishes*	Quantity (pieces)
DH1217-M8	M8	6.5	60	20	11.5	60	F3	100
DH1217-M10	M10	6.5	60	20	11.5	60	F3	100
DH1722-M8	M8	6.5	60	25	60	F3	100	
DH1722-M10	M10	6.5	60	25	16.5	60	F3	100

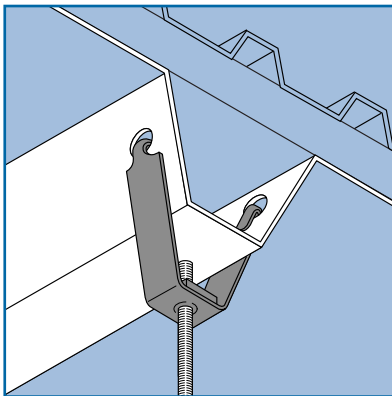
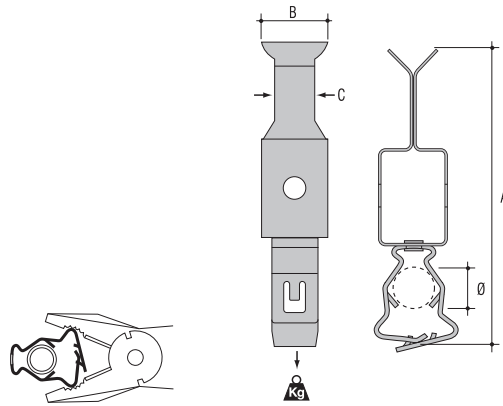


\* See page 50 for material finishes



## Decking clips for conduit

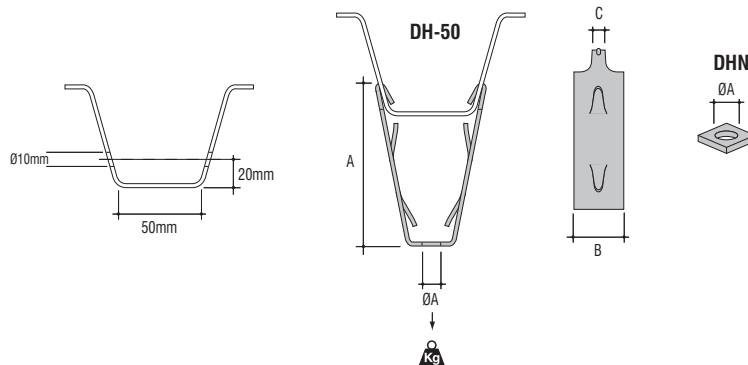
Part No.	Ø (mm)	A (mm)	B (mm)	C (mm)	PG type	Load rating (kg)	Material finishes*	Quantity (pieces)
DH1217-GM1219	12-19	104	20	11.5	7/9/11	45	F3	25
DH1217-GM1926	19-26	104	20	11.5	13.5/16	45	F3	25
DH1217-GM2632	26-32	115	20	11.5	21	45	F3	25
DH1217-GM3240	32-40	128	20	11.5	29	45	F3	25
DH1217-GM4047	40-47	139	20	11.5	36	45	F3	25
DH1217-GM4757	47-57	147	20	11.5	36/42	45	F3	25
DH1722-GM1219	12-19	104	25	16.5	7/9/11	45	F3	25
DH1722-GM1926	19-26	104	25	16.5	13.5/16	45	F3	25
DH1722-GM2632	26-32	115	25	16.5	21	45	F3	25
DH1722-GM3240	32-40	128	25	16.5	29	45	F3	25
DH1722-GM4047	40-47	139	25	16.5	36	45	F3	25
DH1722-GM4757	47-57	147	25	16.5	36/42	45	F3	25



## Decking clips for threaded rod

Part No.	ØA (mm)	A (mm)	B (mm)	C (mm)	Load rating (kg)	Material finishes*	Quantity (pieces)
DH-50	10.5	100	30	8	75	F8+	50
DHN-6T*	M6	-	-	-	75	F7	50
DHN-8T*	M8	-	-	-	75	F7	50
DHN-10T*	M10	-	-	-	75	F7	50

\* Nut only



\* See page 50 for material finishes