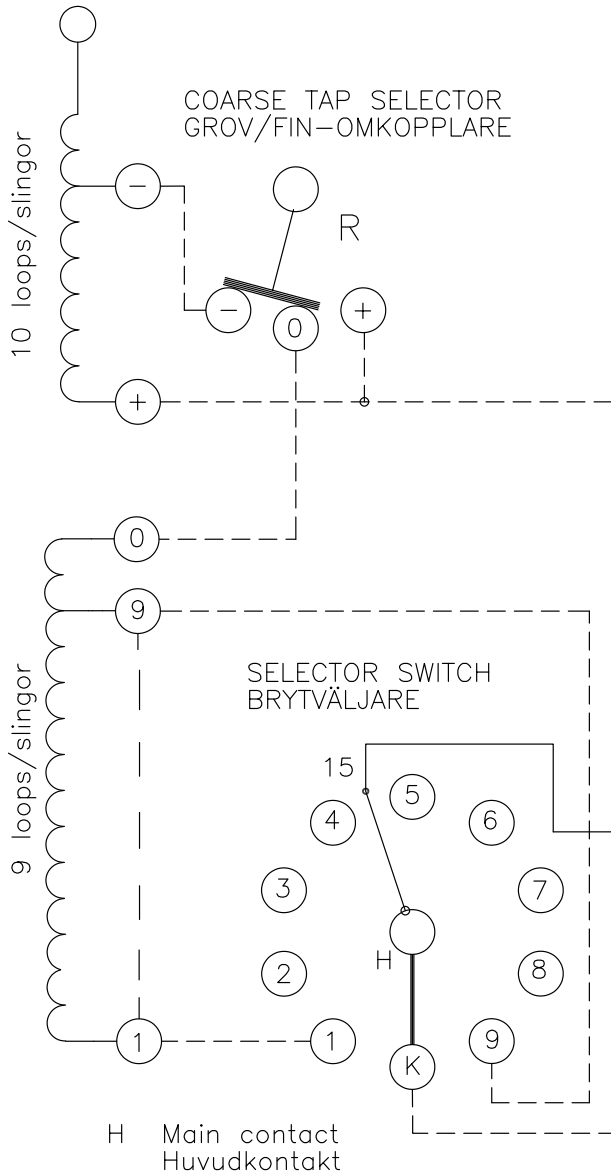


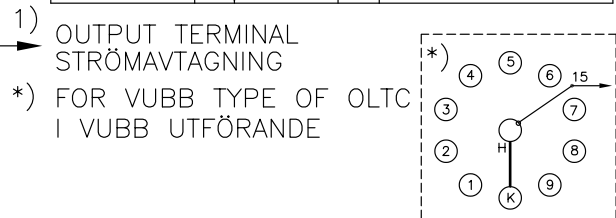
On-load tap-changer type VUBBD, UBBD, 19 tap positions, coarse/fine-switching.
 Min effective No. of turns in pos 1.
 The tap-changer is delivered set in pos 10, the preceding pos. was 9.

Lindningskopplare typ VUBBD, UBBD, 19 lägen, grov/fin-koppling.
 Min antal effektiva varv i läge 1.
 Lindningskopplaren levereras inställd i läge 10, föregående läge var 9.



Pos Läge	R connects förbinder	H connects förbinder
1		9 - 15
2		8 - 15
3		7 - 15
4		6 - 15
5		5 - 15
6		4 - 15
7	0 -	3 - 15
8		2 - 15
9		1 - 15
10		K - 15
11		9 - 15
12		8 - 15
13		7 - 15
14	0 +	6 - 15
15		5 - 15
16		4 - 15
17		3 - 15
18		2 - 15
19		1 - 15

We reserve all rights in this document and in the information contained therein. Reproduction, use or disclosure to third parties without express authority is strictly forbidden.
 © ABB '19



1) Internal connections between the terminals 15 of the three phases are included in the star-point type. Dashed lines show in delivery not included leads belonging to cleats and leads.

Inre förbindningar mellan uttag 15 i de tre faserna ingår i nollpunktsutförande. Streckade linjer visar i leveransen ej ingående ledare tillhörande anslutningsdonet.

2	Output for VUBB type added.	DAAN	20	15
1	VUBBD added.	TL	10	27
Rev Ind	Revision	Appd	Year	Week

Accepted by qual control R.Yngvesson	Accepted for prod by	Description (English) CONNECTION DIAGRAM	DATAORIGINAL
Design checked by B-O.Stenestam	Drawn by L.Bergman	Description (own language) KOPPLINGSSHEMA	File name 0392-7
Drawing checked by M.Hedlund	Issued by Dept Year Week COM/TKO 97 32		Lang Sheet 1
ABB Asea Brown Boveri		5492 0392-7	RevInd Cont 2 -

Sheet	Cont
Year	Week
Dept	
RevInd	
Design checked by	
Drawn by	Form No.