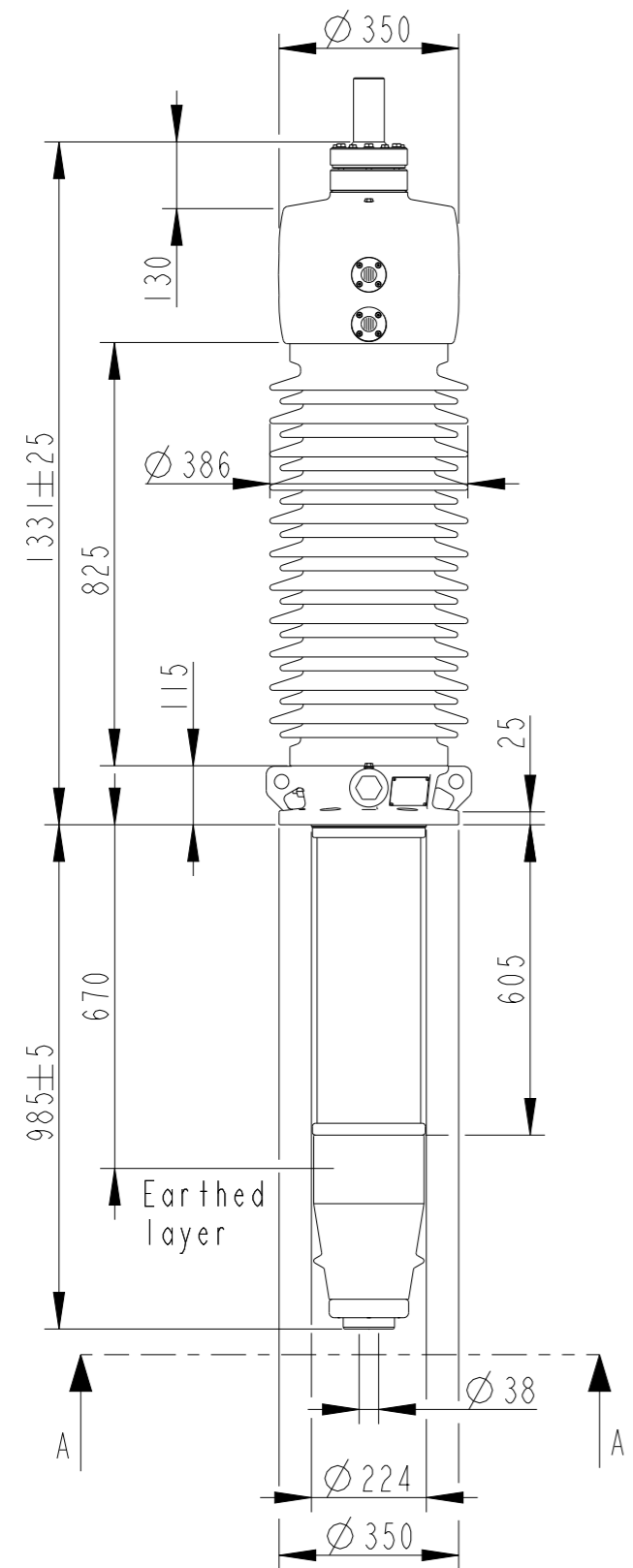


This document is issued by means of a computerized system. The digitally stored original is electronically approved. The approved document has a date entered in the 'Approved'-field. A manual signature is not required.

The information contained in this document has to be kept strictly confidential. Any unauthorized use, reproduction, distribution or disclosure to third parties are strictly forbidden. ABB reserves all rights regarding Intellectual Property Rights. © Copyright 2013 ABB. All rights reserved.



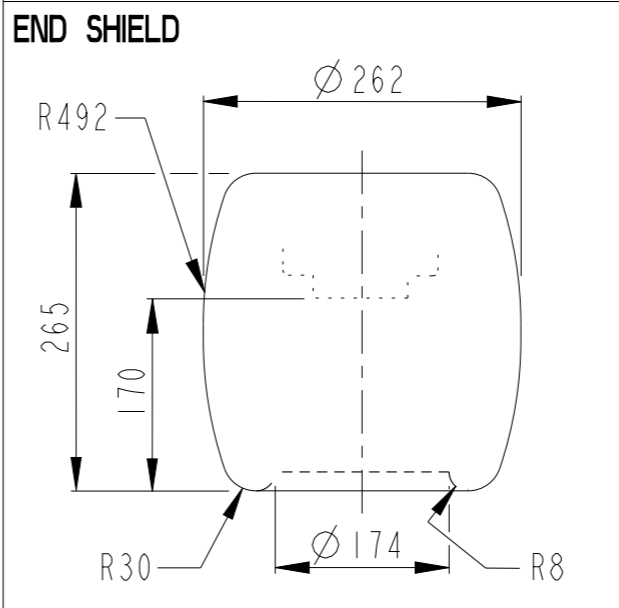
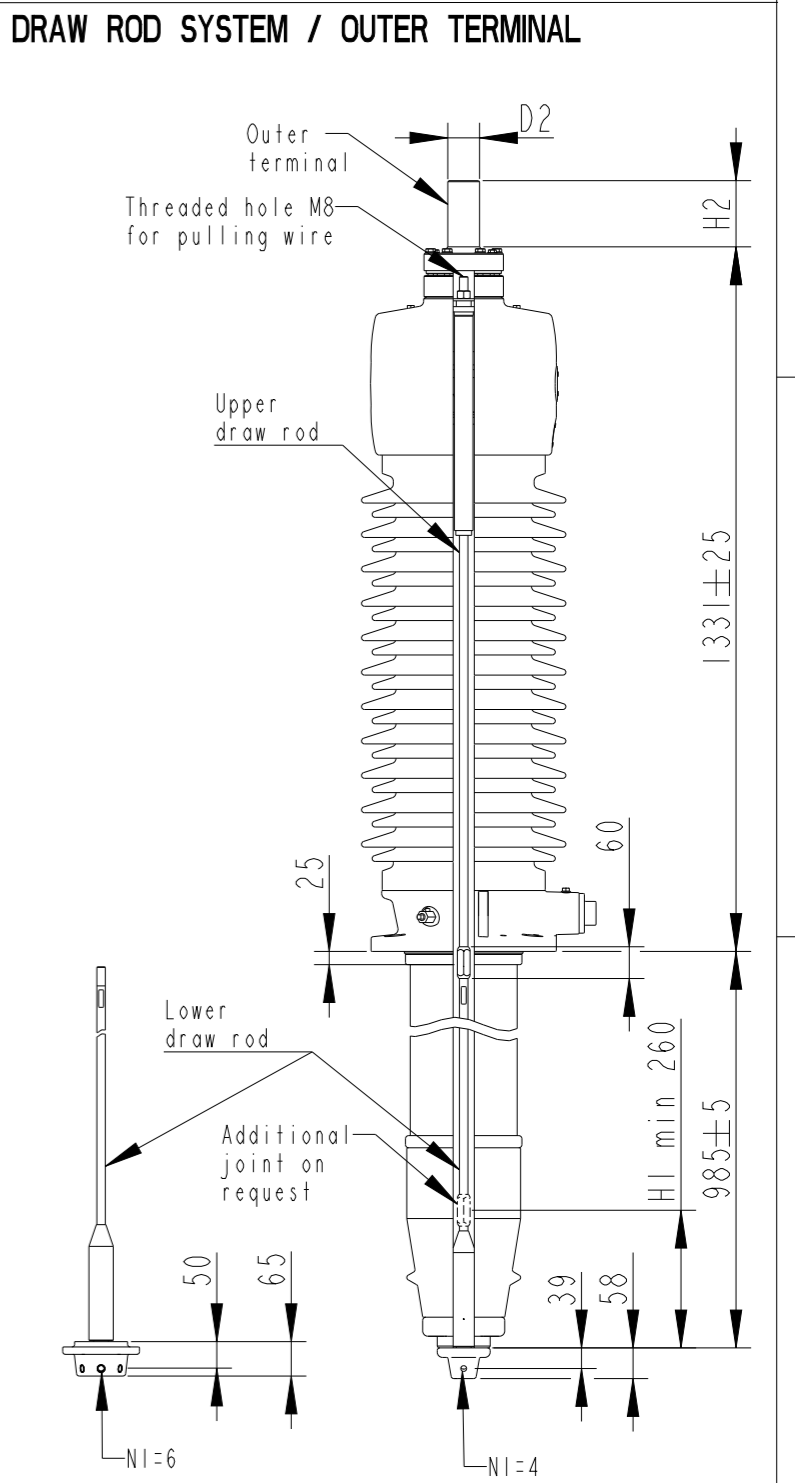
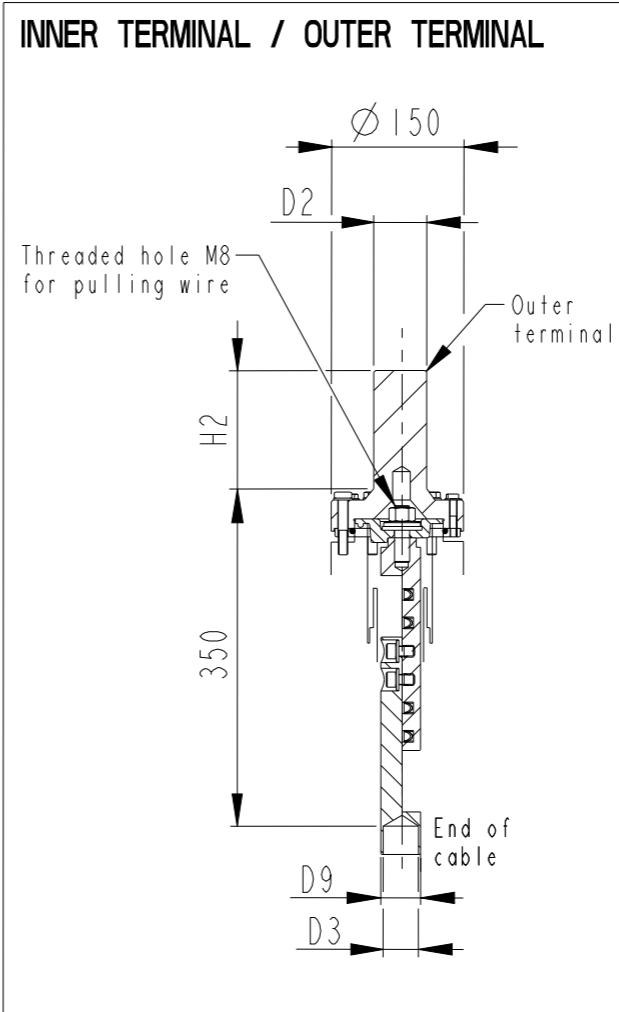
**Bushing Data:**

Rated Voltage	72.5 kV
Phase to-earth Voltage	42 kV
Dry Lightning Impulse 1,2/50µs	380 kV
Wet Switching Impulse	300 kV
Wet Power frequency AC	170 kV
Routine test 1min dry 50Hz	175 kV
Rated Current	5000 A
Creepage Distance	2955 mm
Mass	300 kg

**Ordering Data:**

<b>BUSHING</b>	COLOUR AIR INSULATOR				
I ZSC902072-ABB	BROWN				
<b>OUTER TERMINAL</b>		Max. Rated H2	D2		
		Current (A)	(mm)		
LF170 073-A	Al	2500	125	60	
LF170 073-B	Cu	4000	125	60	
LF170 073-G	Cu/Ag	4000	125	60	
LF170 073-L	Cu/Sn	4000	125	60	
LF170 073-BA	Cu/Ag	3000	125	2"-12UN	
LF170 073-AA	Cu	5000	115	96	
LF170 073-DB	Cu/Ag	5000	125	96	
<b>END-SHIELD</b>		EPOXY INSULATED			
LF170 046-U		INSULATED WITH 3 mm PRESSBOARD			
<b>DRAW ROD SYSTEM</b>		LOWER DRAW ROD WITH NI=4 OR NI=6			
LF170 059		UPPER DRAW ROD			
<b>INNER TERMINAL</b>	D3	D9	Cond.area	Current (A)	
	(mm)	(mm)	(mm <sup>2</sup> )	IEC	IEEE
LF170 056-A	0 *)	35	-	-	-
LF170 056-B	15	35	95	390	370
LF170 056-C	30	35	285	1000	830

\*) WITH PILOT HOLE D=5



NI=Number of holes M12, equipped with thread insert with screw lock, depth 20, for cable lugs.

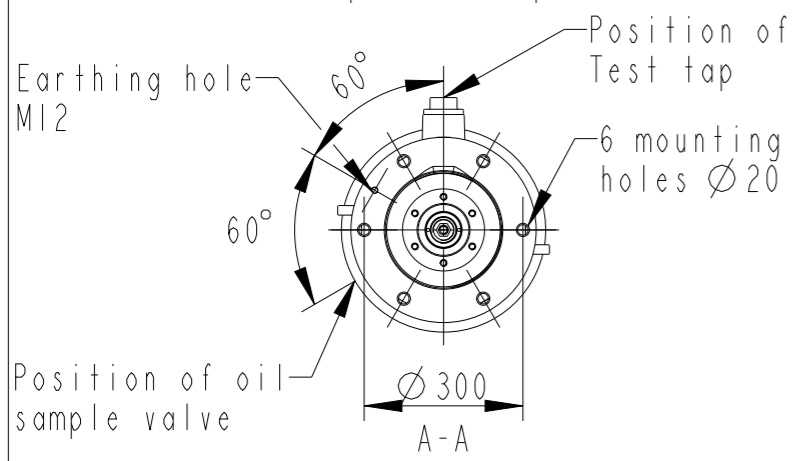


ABB Ludvika, Sweden

No.	Um/Uy	kV Ir	A	50/60 Hz	
BL	kV	SIL	kV	AC	kV
M	kg	L	mm	✓	°
C1	pF	Tan δ		x	
C2	pF	Tan δ		x	

Prepared	Balaji.G.R	2017-06-15	Responsible department	PGCO/BK	Title	GOE 380-300-5000-0.6
Modified by	Balaji.G.R	2017-07-04	Take over department			
Approved by	Natalia Gutman	2017-07-04	Used in product			
Revision	F	Drawing display updated	Order			
Document no.					2751369-304	No. Shis. (1)

