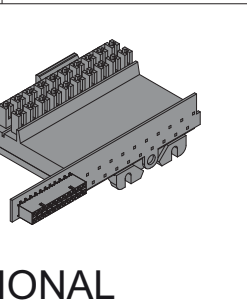
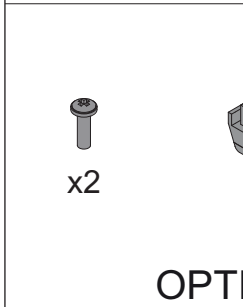
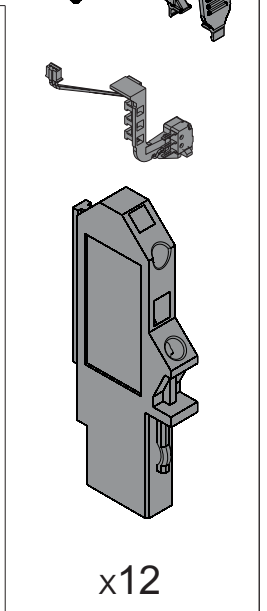
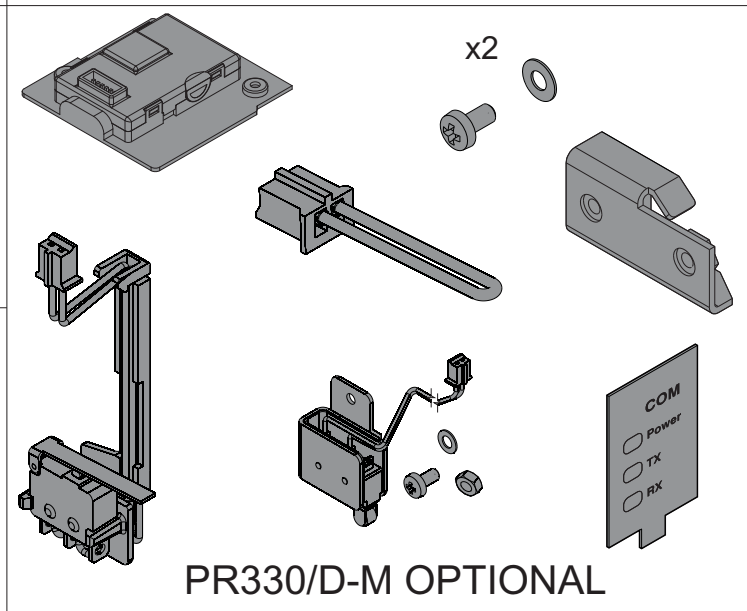
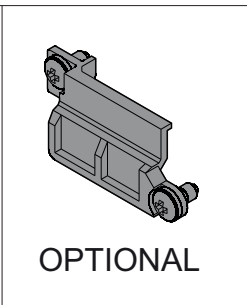
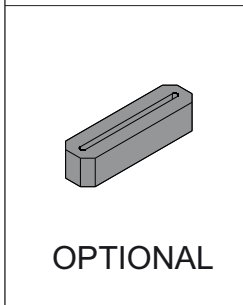
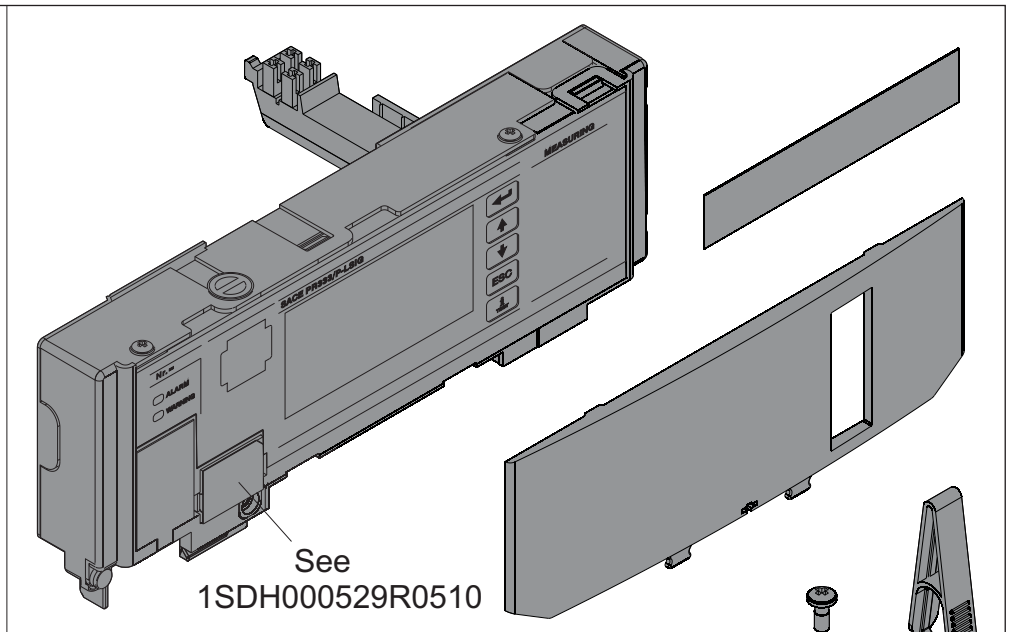
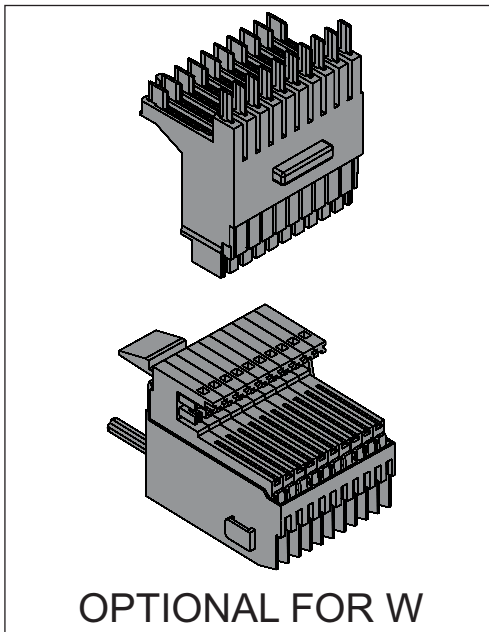
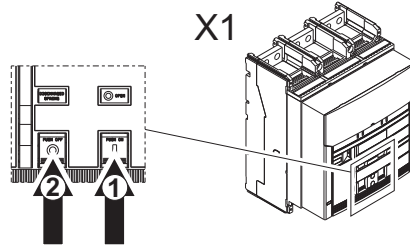
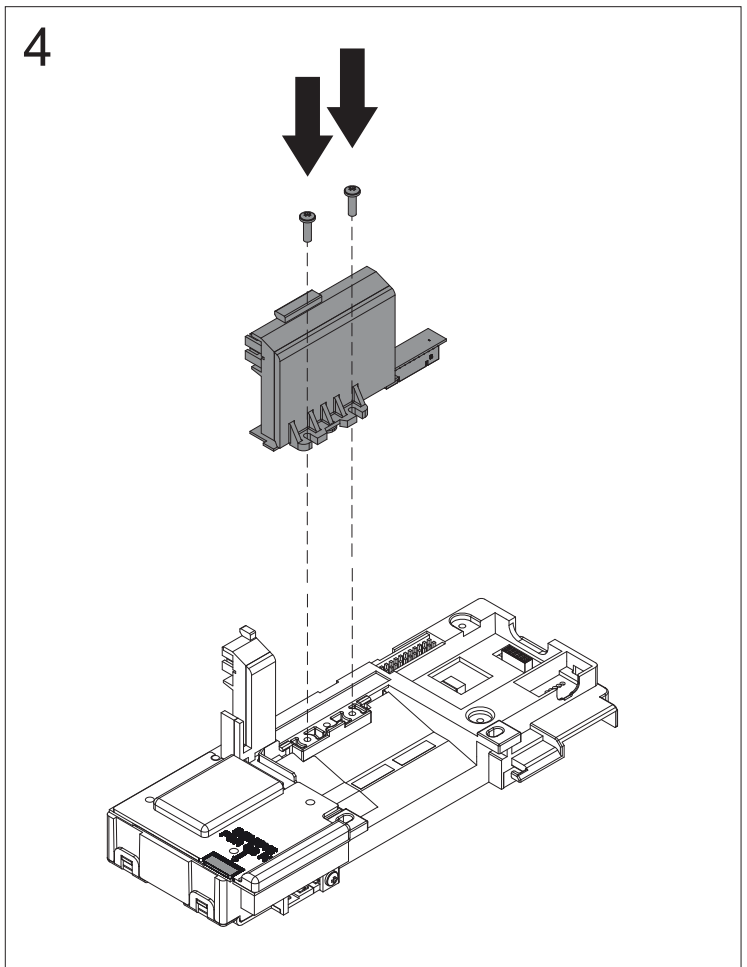
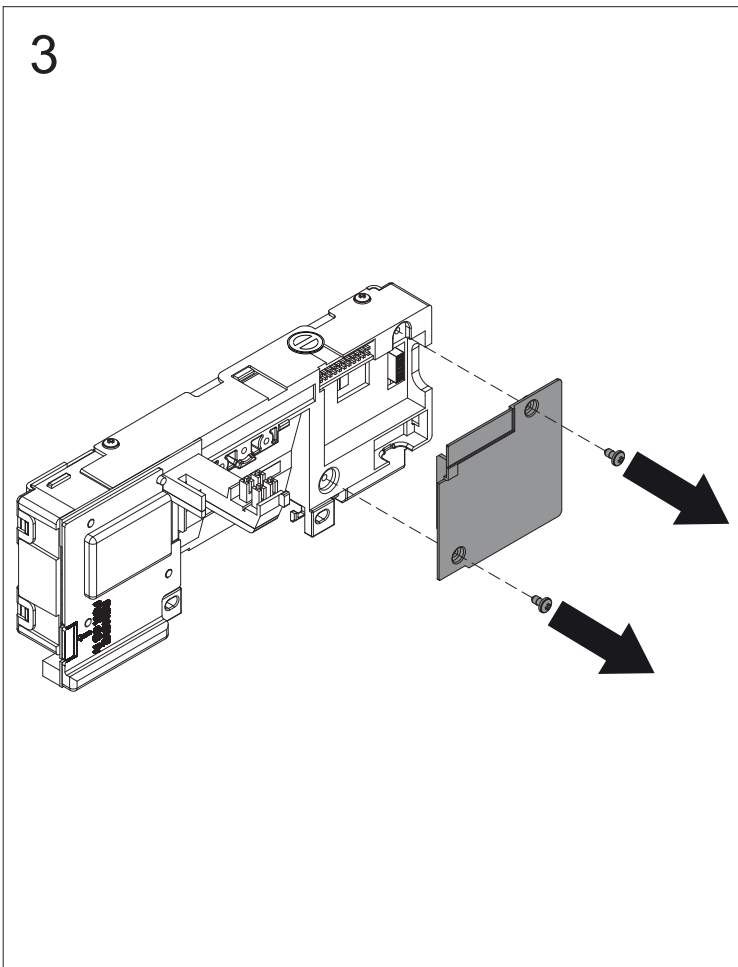
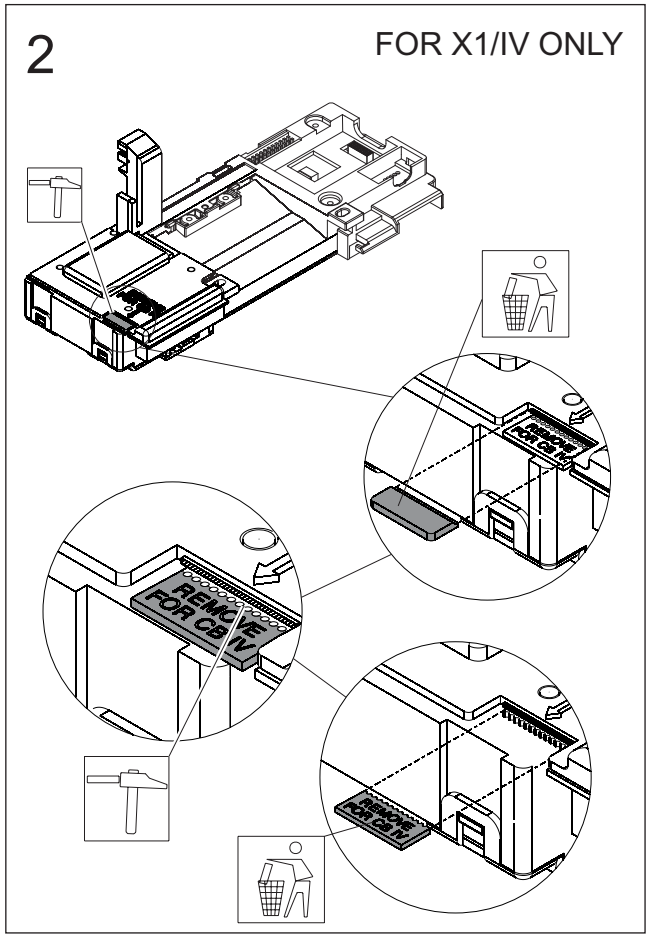
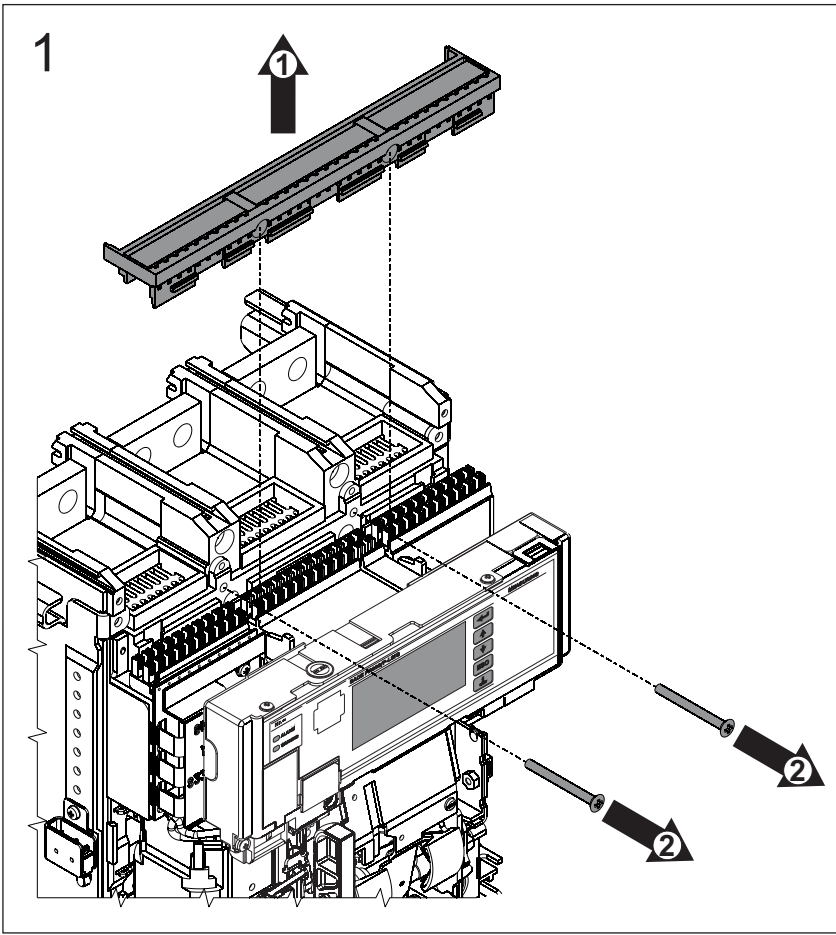


Emax - Tmax

DOC. N.° 1SDH000529R0504 - L8482

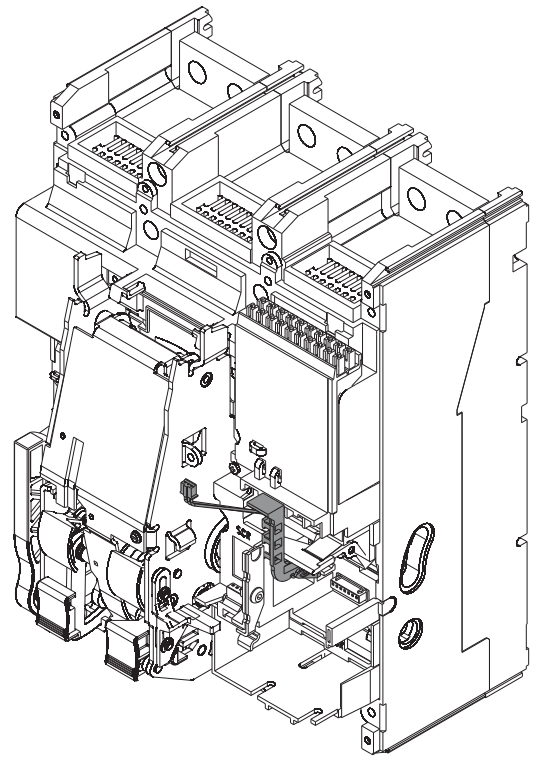
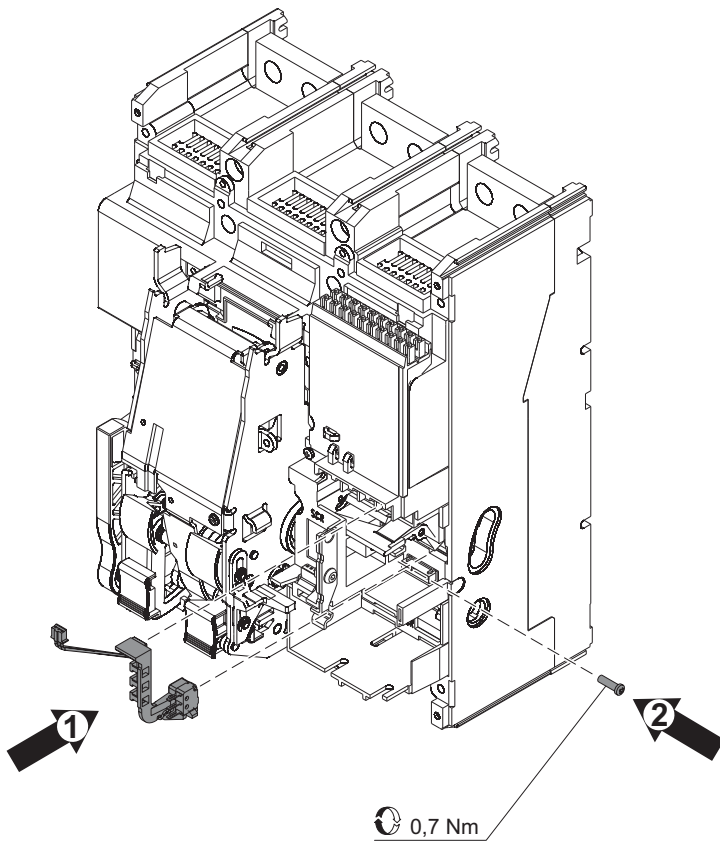
Sganciatore elettronico a microprocessore SACE PR333 e moduli X1
 SACE PR333 X1 microprocessor-based electronic release and module
 Elektronischer Mikroprozessor-Auslöser und Module SACE PR333 X1
 Déclencheur électronique à microprocesseur et modules SACE PR333 X1
 Relé electrónico con microprocesador y módulos SACE PR333 X1



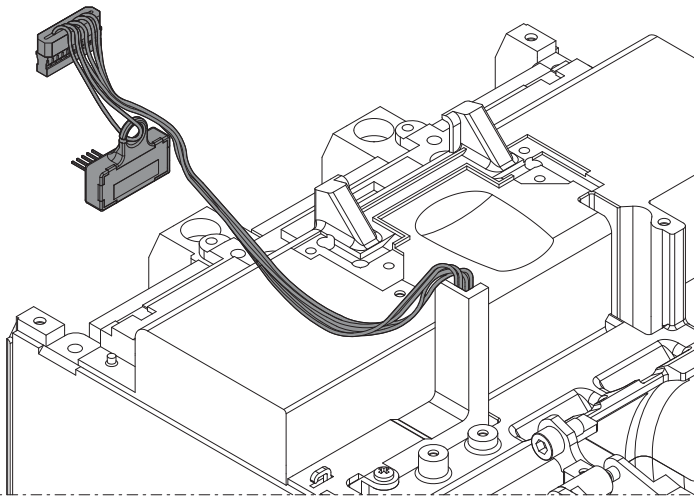


5

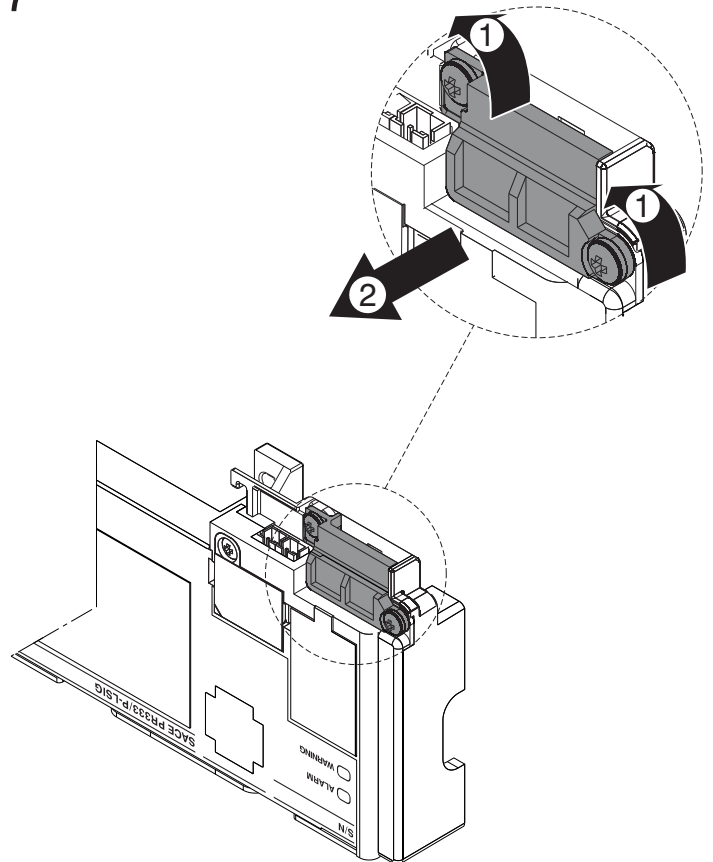
T7-T7M-X1



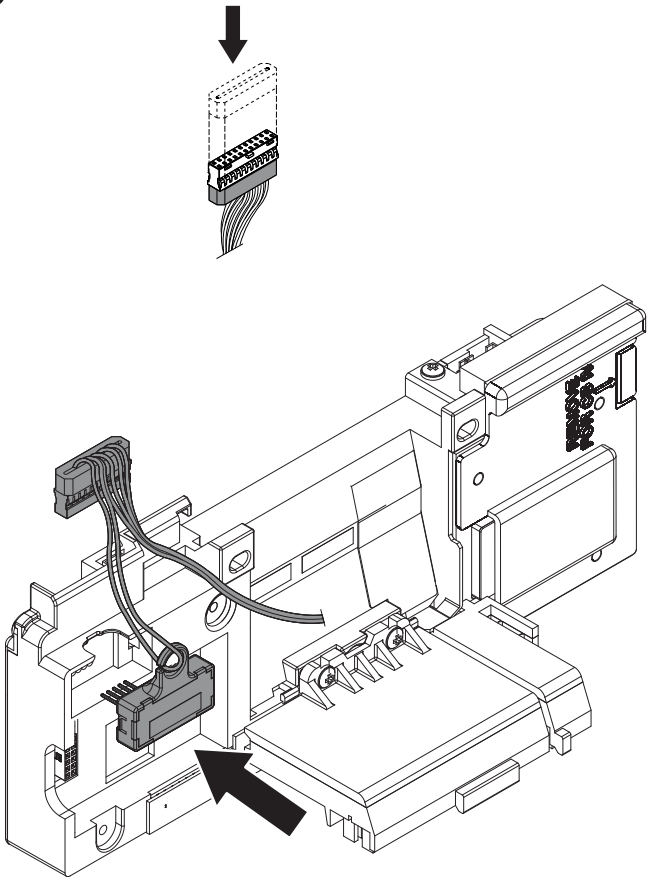
6



7

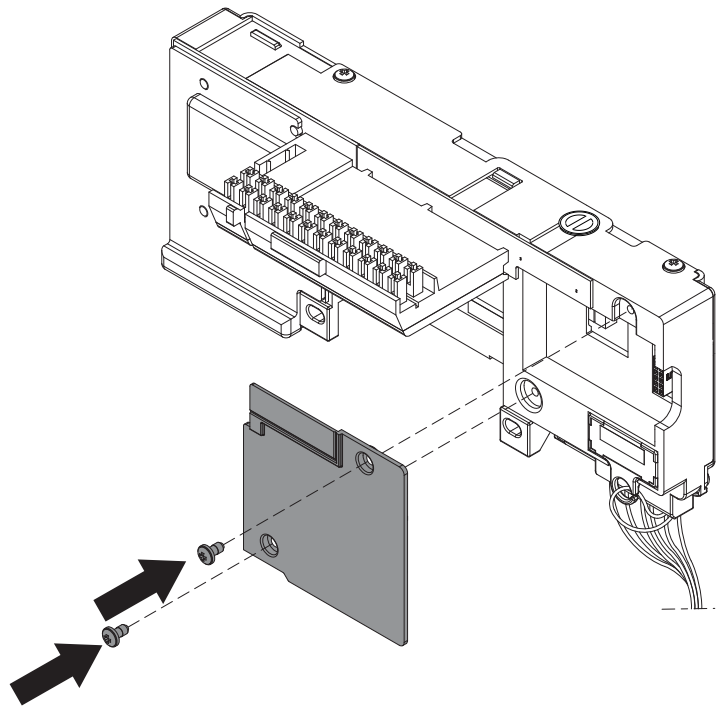


8



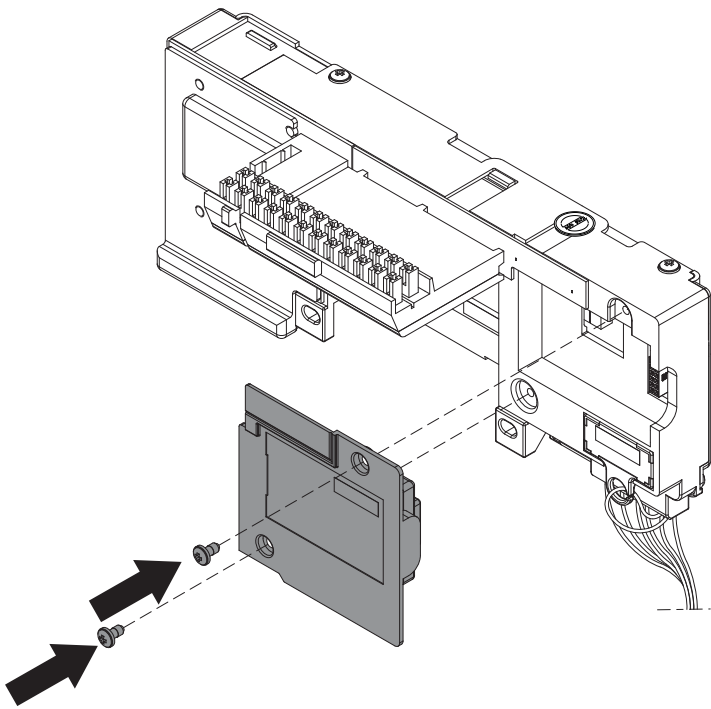
9

WITHOUT PR330/D-M

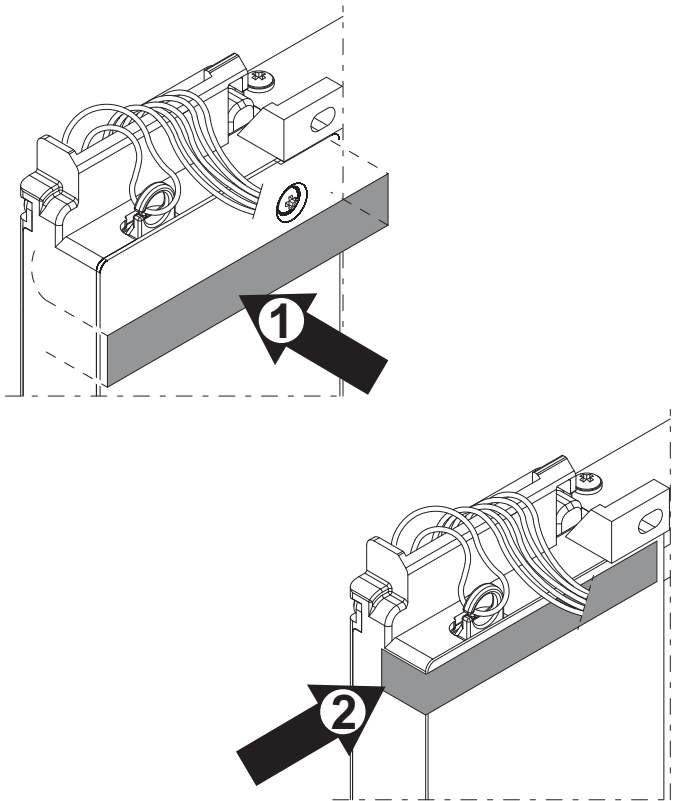


10

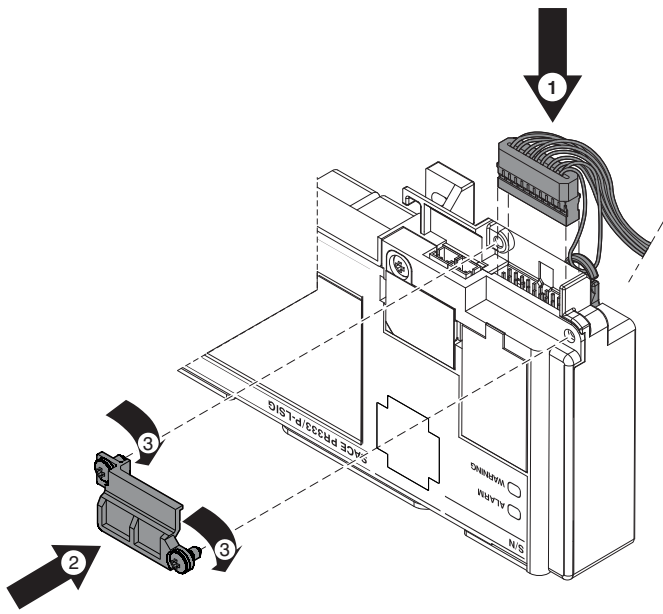
WITH PR330/D-M ONLY



11

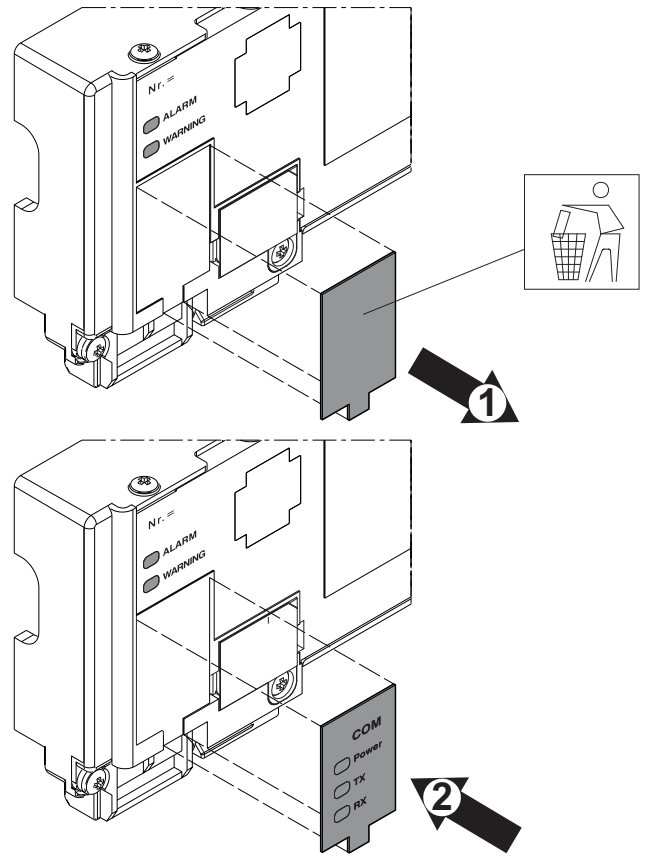


12

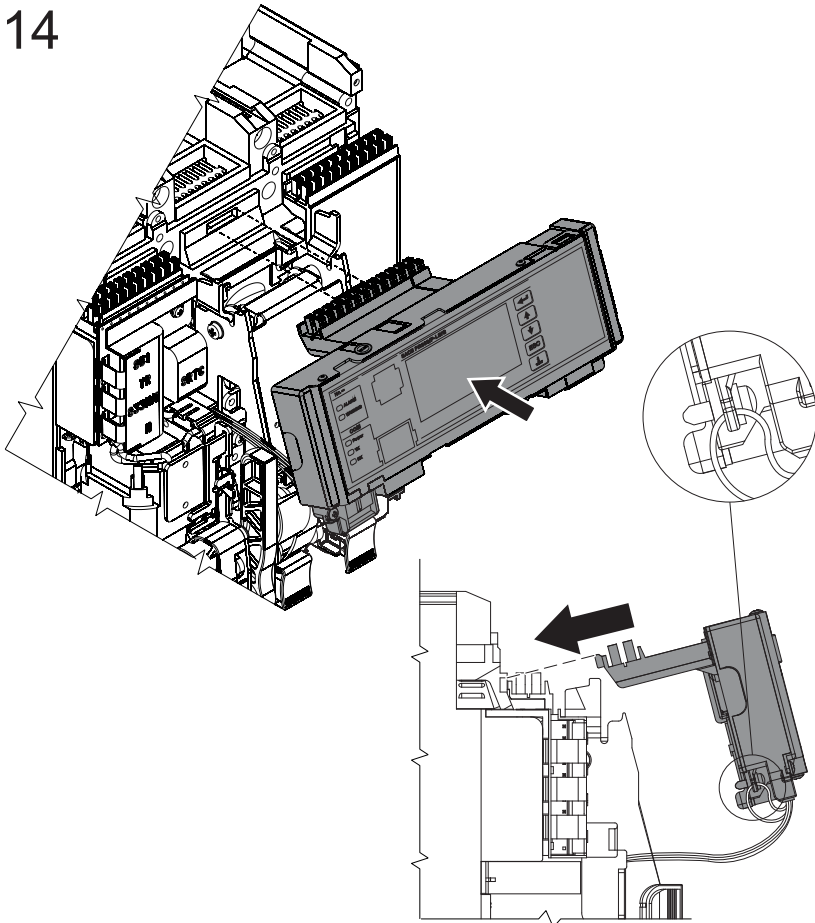


13

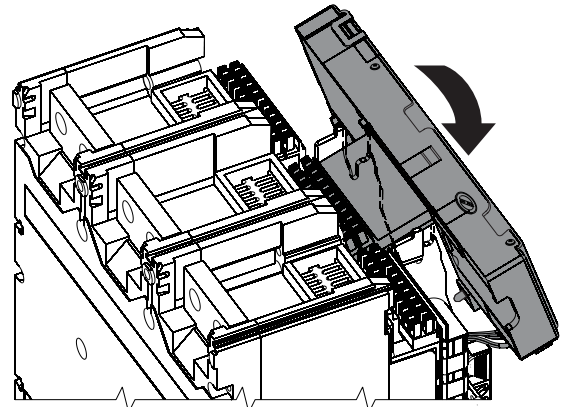
WITH PR330/D-M ONLY



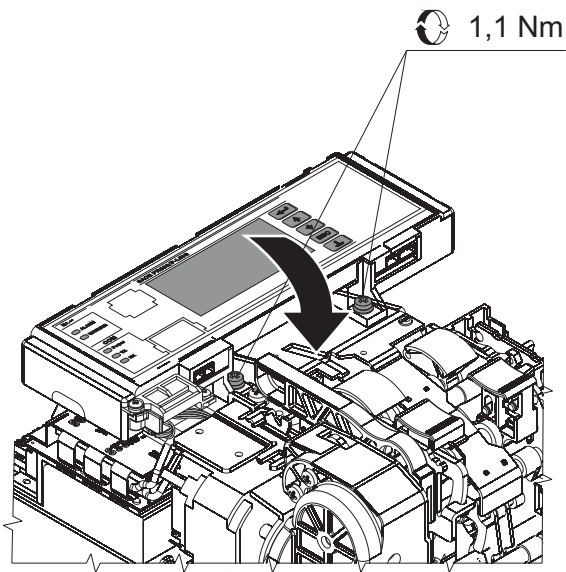
14



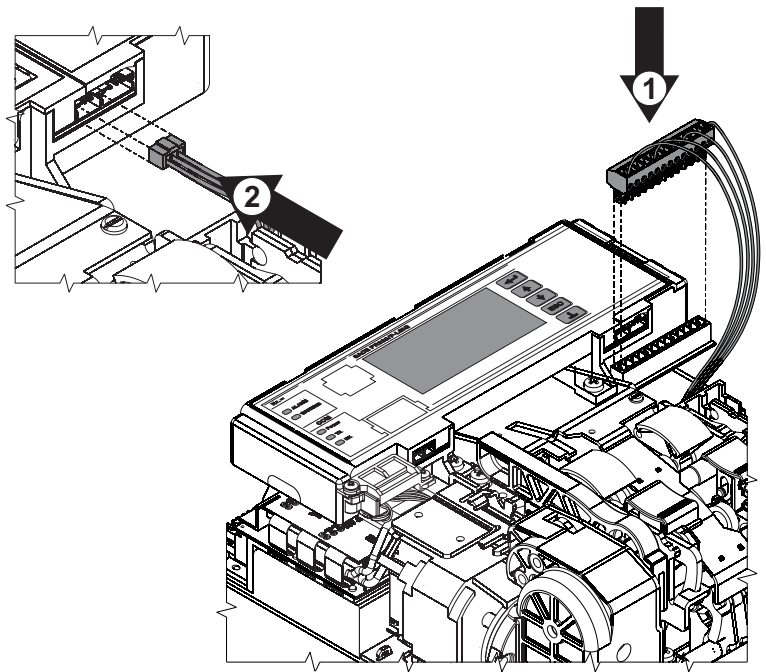
15



16

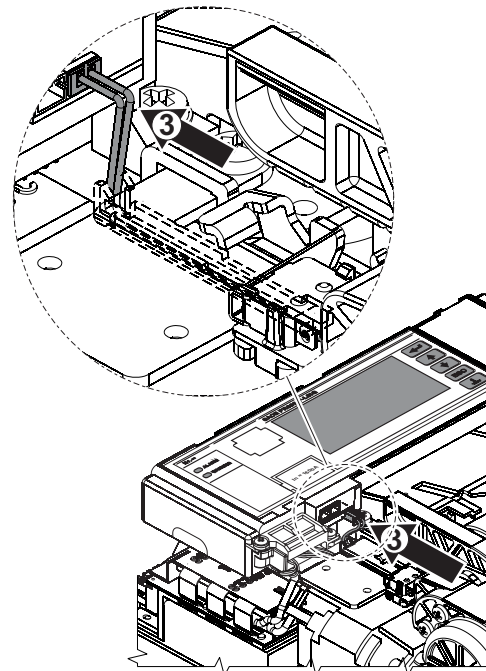
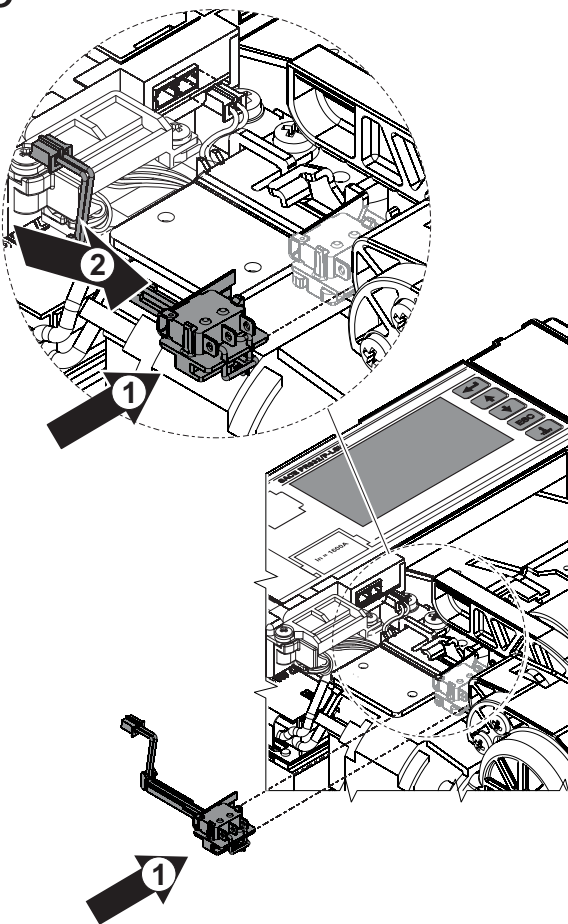


17

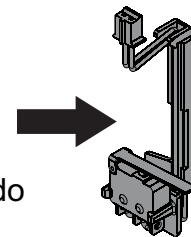


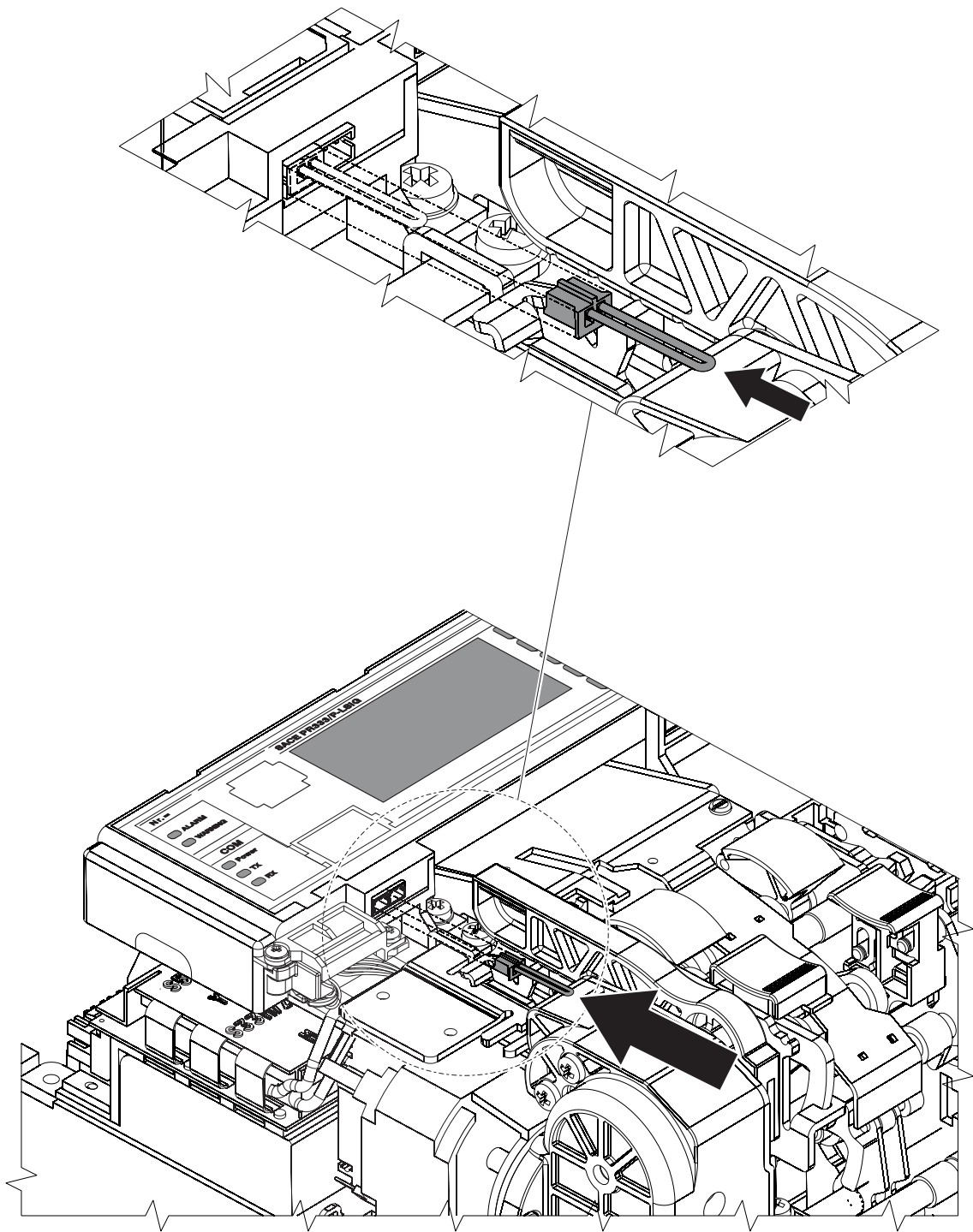
18

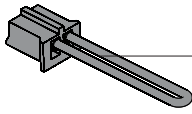

FOR PR330/D-M ONLY



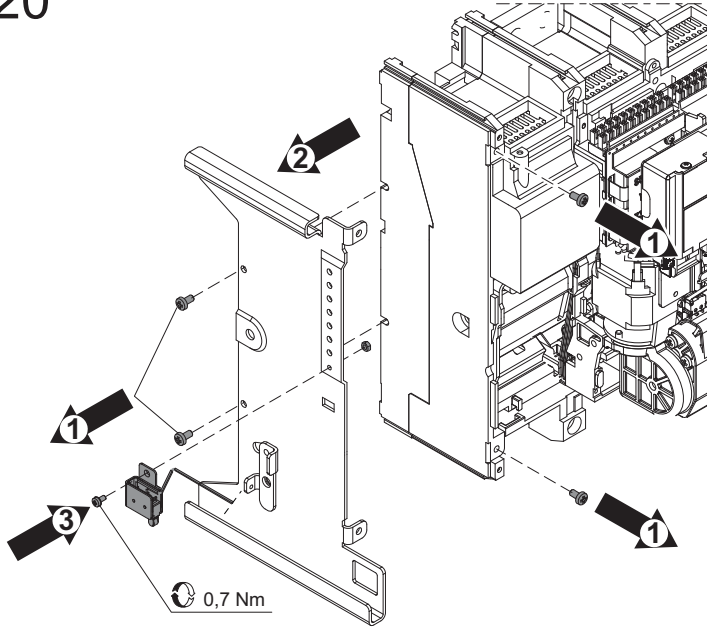
se montato
if mounted
falls montiert
s'il est monté
si está montado



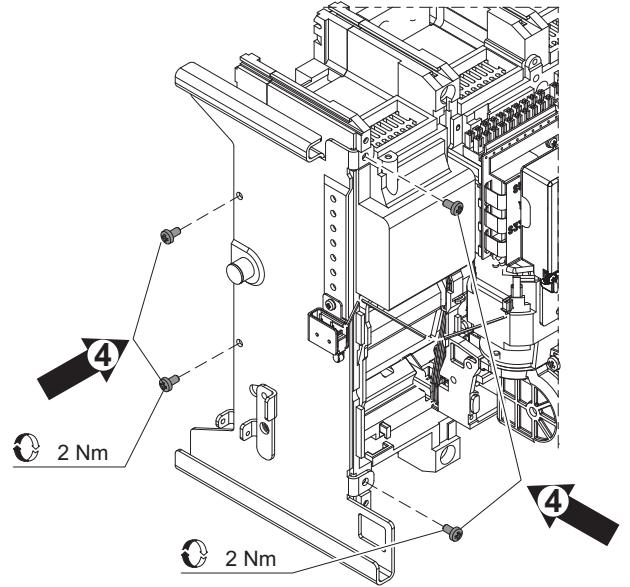


FOR W ONLY →  

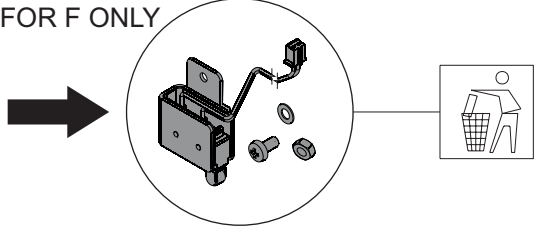
20



FOR X1/W (IV) WITH PR330/D-M ONLY

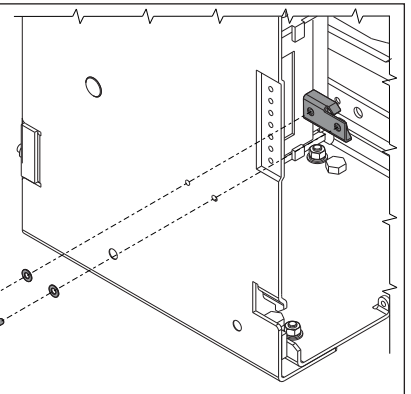


FOR F ONLY

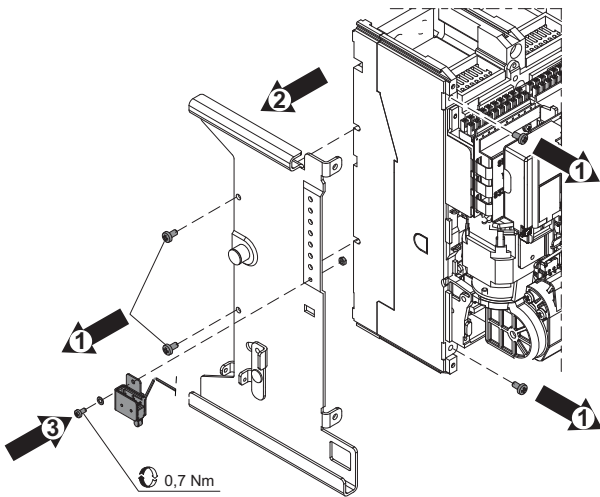


FIXED PART

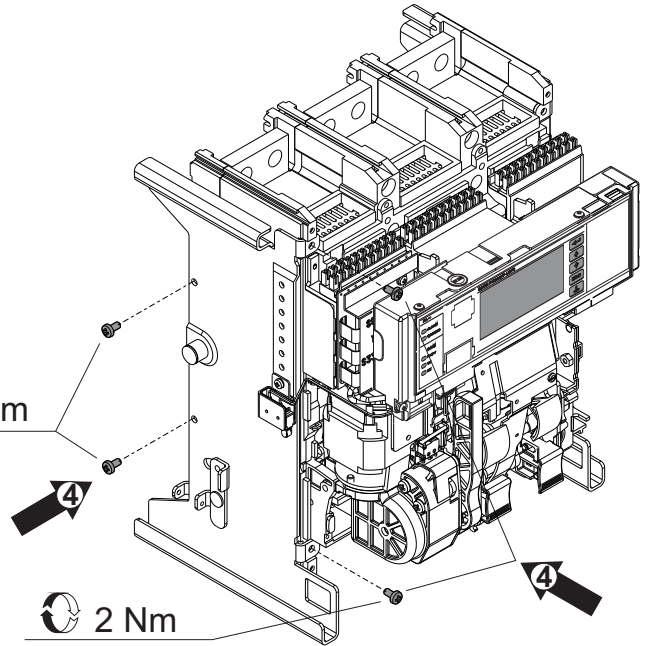
0,7 Nm

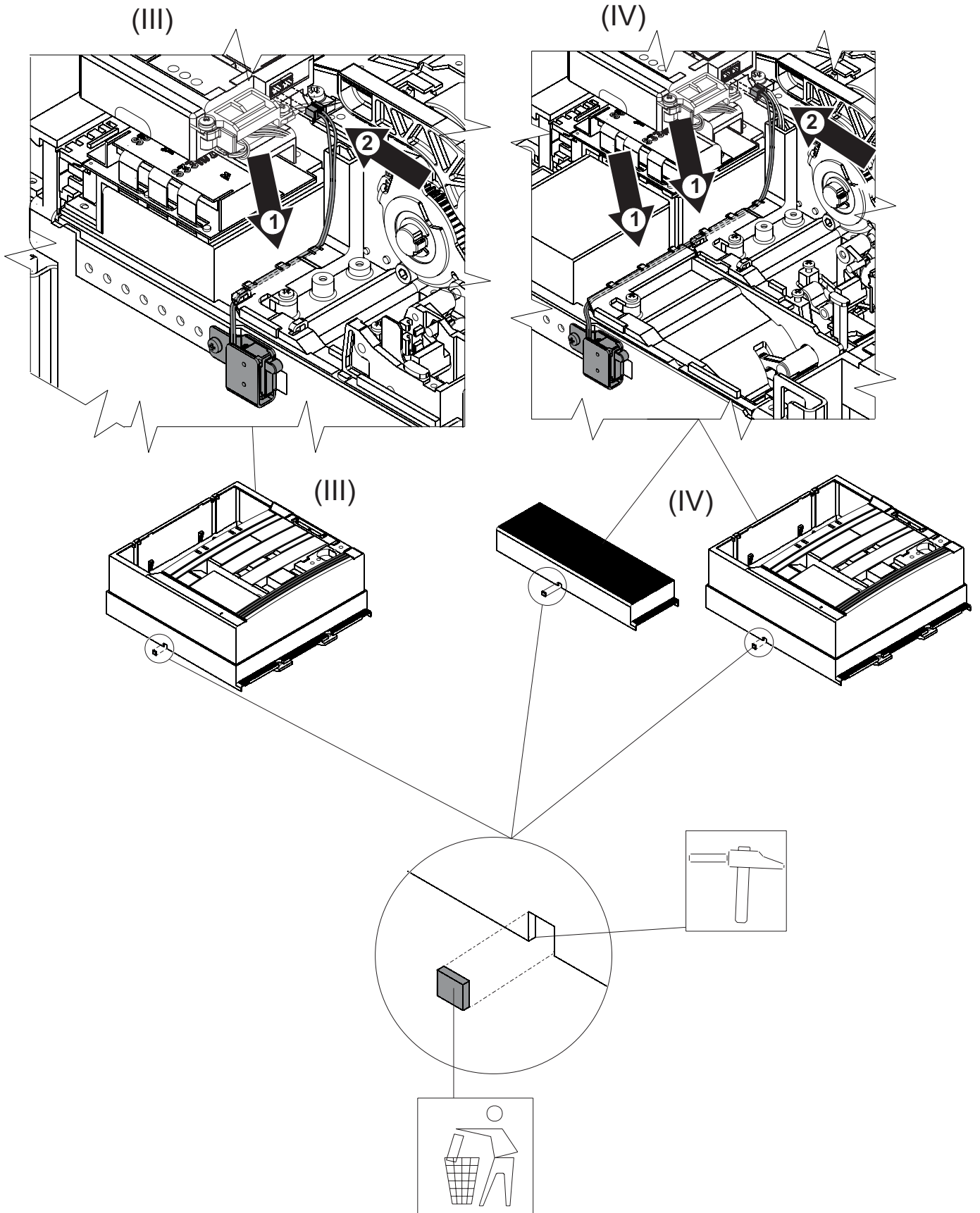


FOR X1/W (III) WITH PR330/D-M ONLY

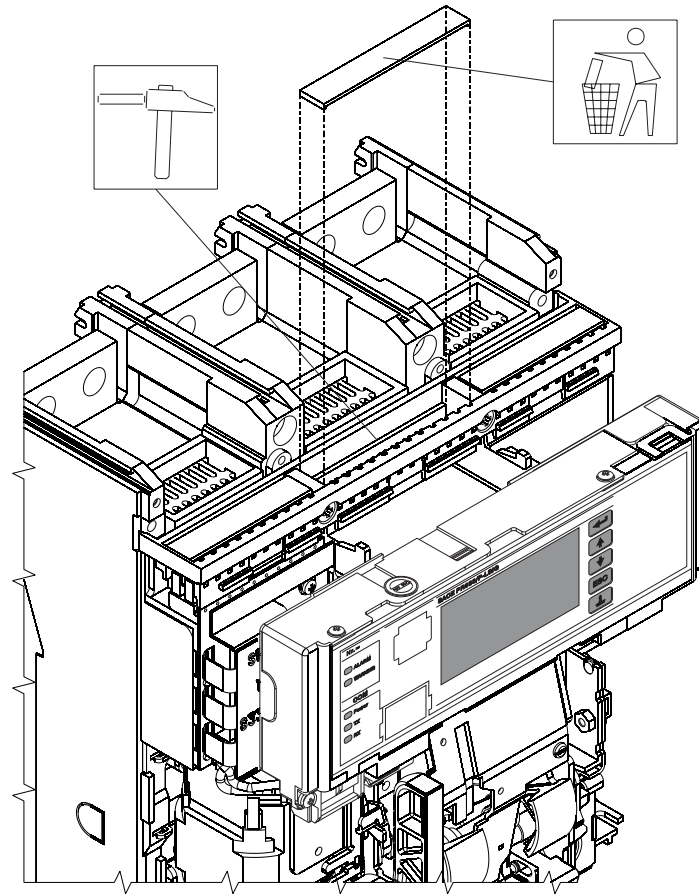


2 Nm

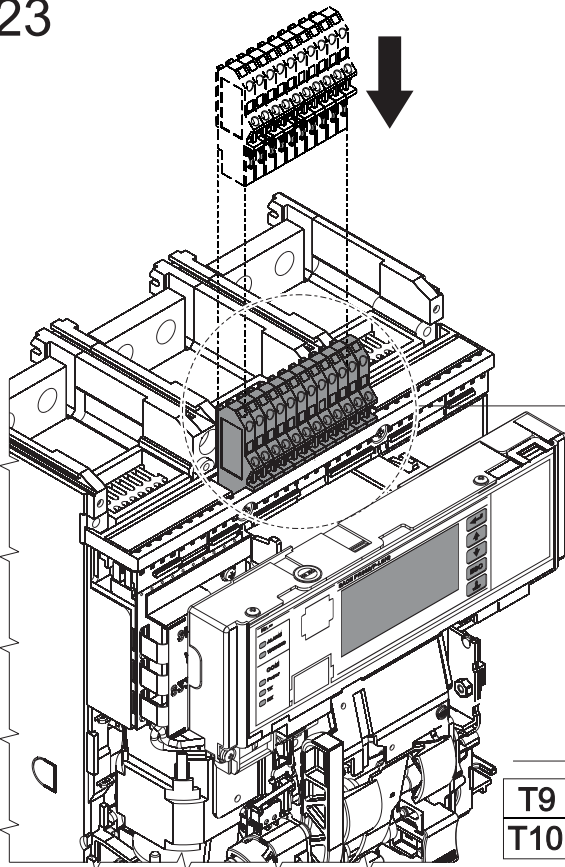




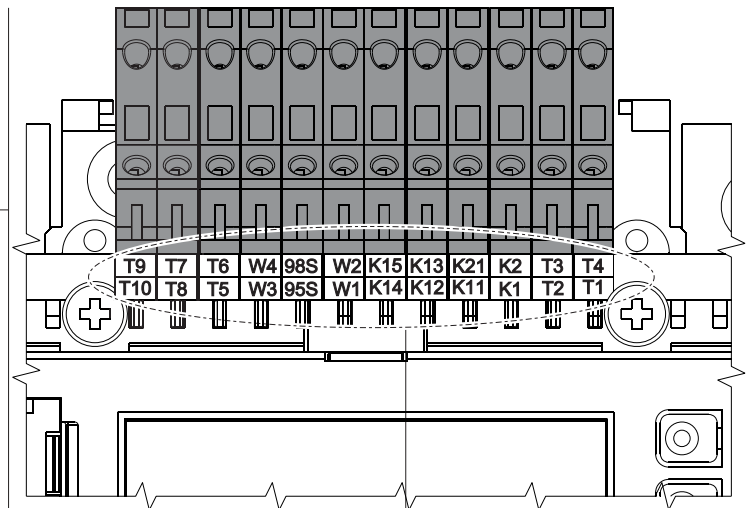
22



23

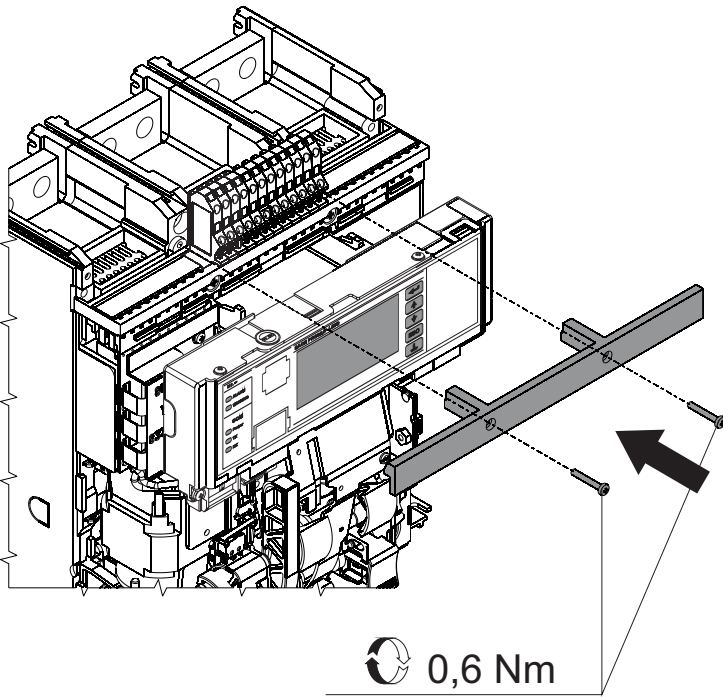


SEE WIRING DIAGRAMS 1SDM000057R0001

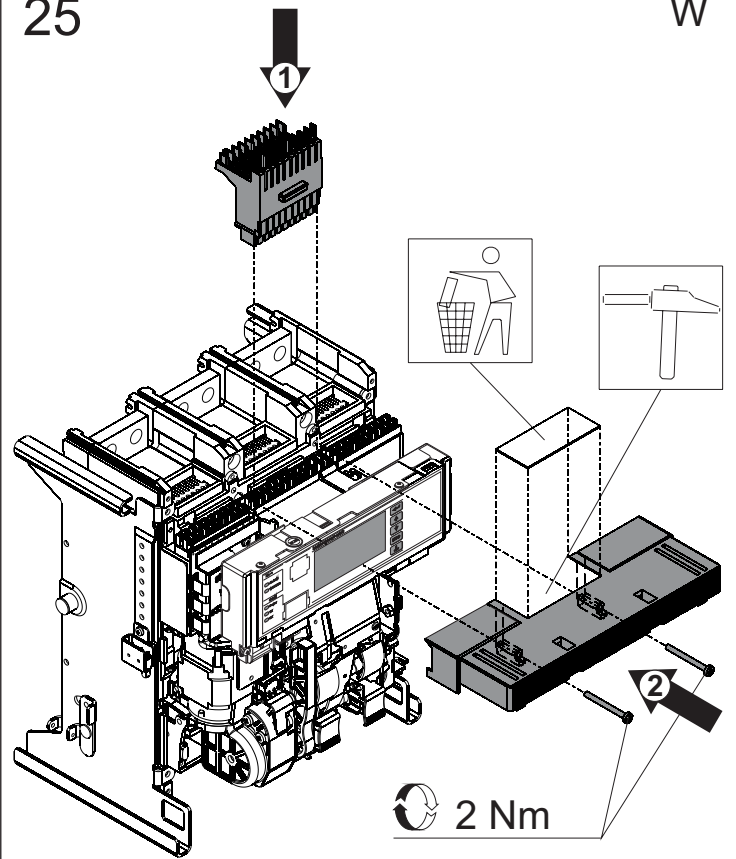


T9	T7	T6	W4	98S	W2	K15	K13	K21	K2	T3	T4
T10	T8	T5	W3	95S	W1	K14	K12	K11	K1	T2	T1

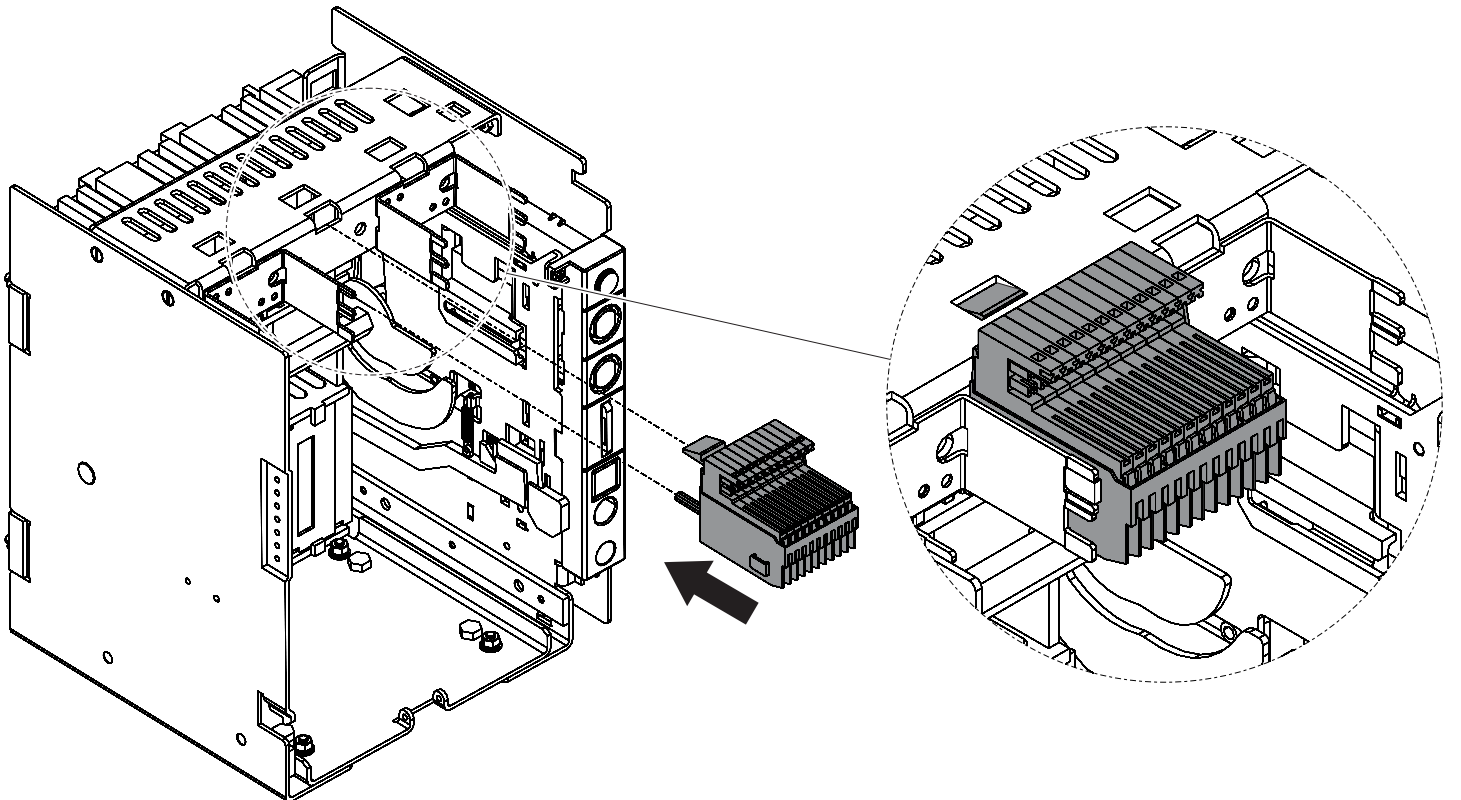
24



25



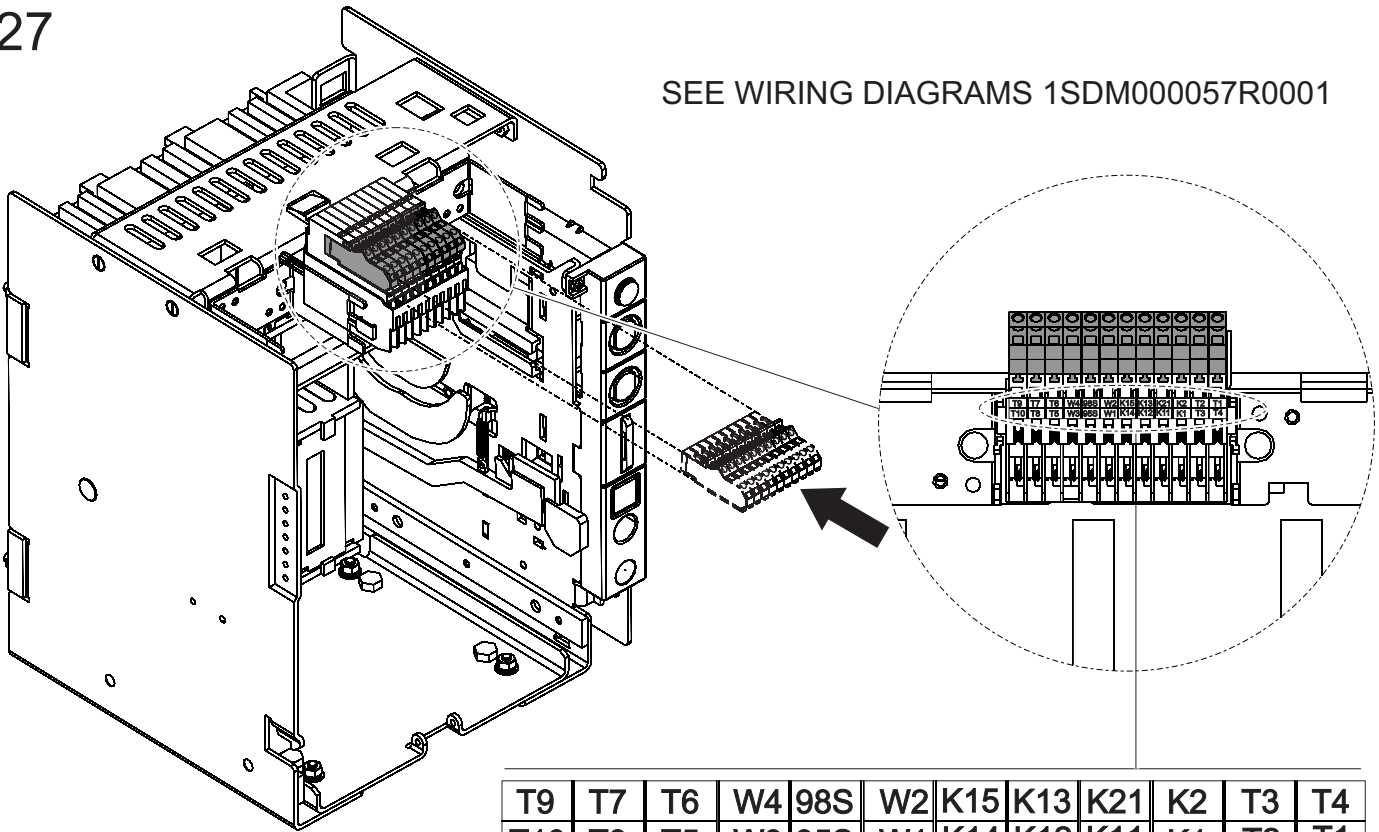
26



27

W

SEE WIRING DIAGRAMS 1SDM000057R0001



T9	T7	T6	W4	98S	W2	K15	K13	K21	K2	T3	T4
T10	T8	T5	W3	95S	W1	K14	K12	K11	K1	T2	T1

28

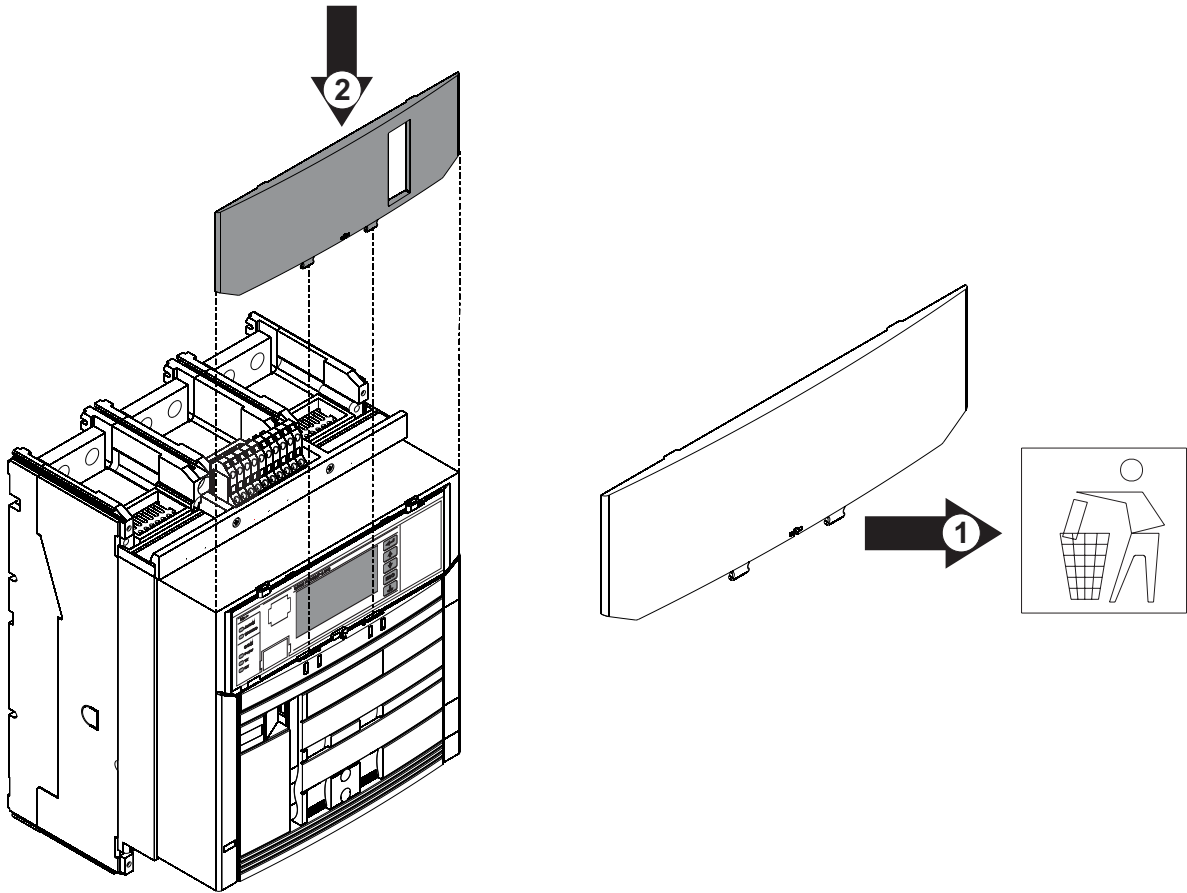


ABB SACE S.p.A.

Via Baioni, 35
24123 Bergamo Italy

Tel.: +39 035 395.111 - Telefax: +39 035 395.306-433

<http://www.abb.com>