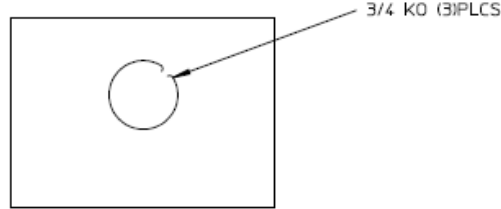
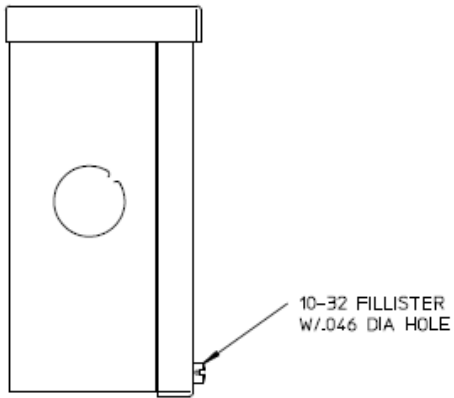


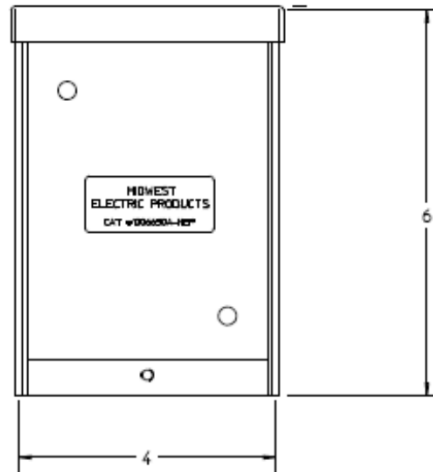
Top View



Left Side View



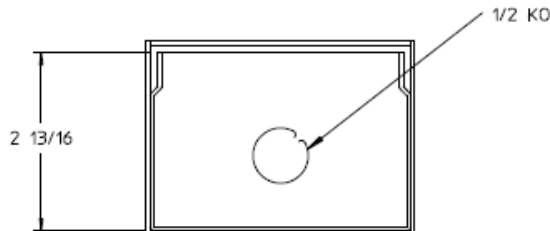
Front View




Notes

- 1) CABINET AND FRONT CONSTRUCTED FROM 16GA
- 2) PAINT: GREY
- 3) ALL KOS ARE REMOVABLE FROM OUTSIDE OF ENCLOSURE
- 4) MIDWEST LABEL ATTACHED TO THE END OF THE CARTON
- 5) MIDWEST LOGO LOCATED ON THE CENTER OF THE FRONT.

Bottom View



		
METER SOCKET - AUXILLARY CONTACTS ENCLOSURE G90 STEEL		
CAT NO	DWG DATE	REV #
1006630AMEP	05/26/2016	01