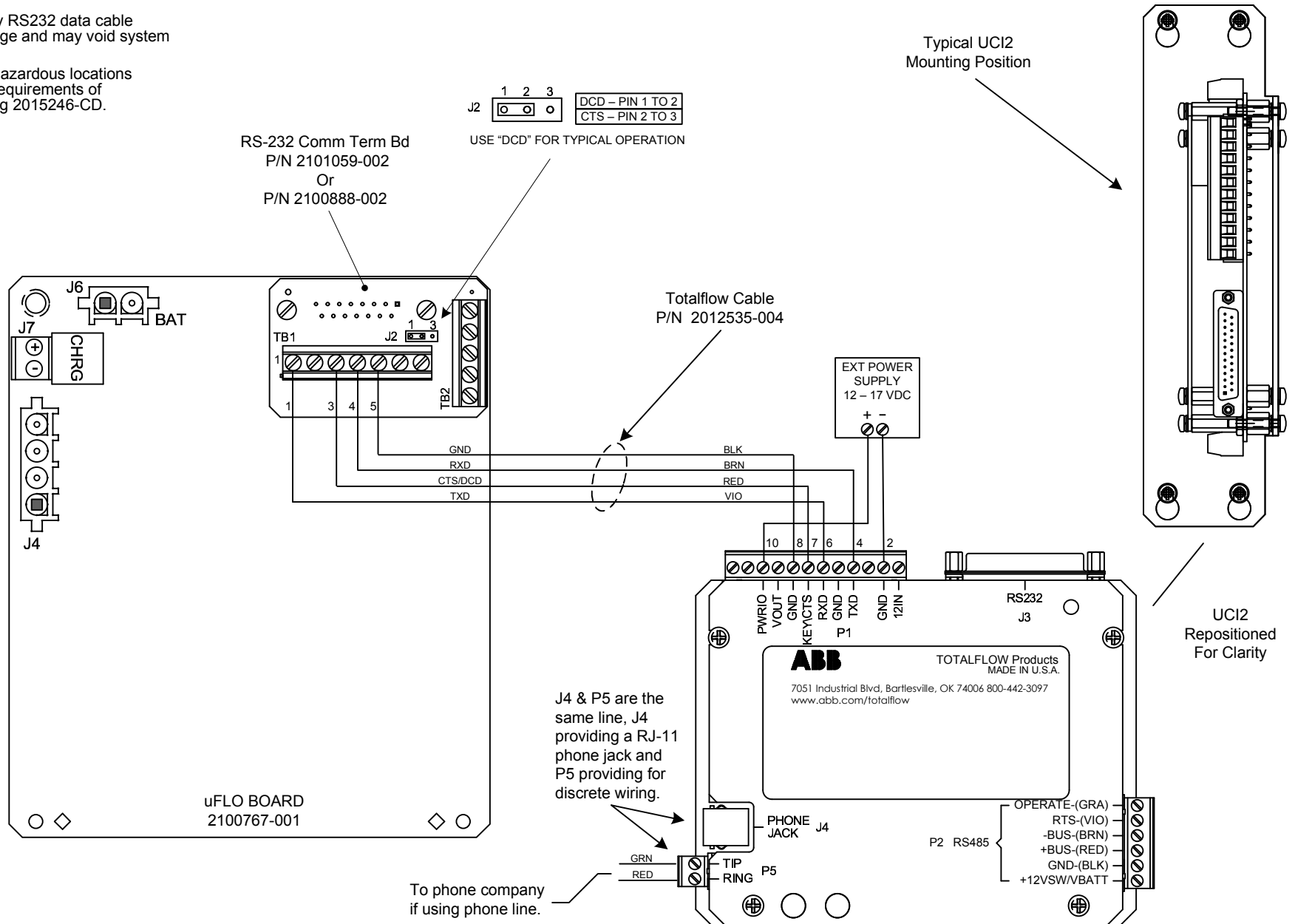


NOTES:

- WARNING**
Using a non-factory RS232 data cable may result in damage and may void system warranty.
- All installations in hazardous locations must comply with requirements of certification Drawing 2015246-CD.



REF: 2101058-WI

	TOTALFLOW Products	ACTION	DOC TYPE	TITLE	DWG NO.	REV	SHEET
		D19346	UD	UFLO W/ RS-232 COM TERM BD TO UCI2 W/ EXT CONTINUOUS POWER	2101723	AB	1 OF 1