

# 250A Deadbreak Elbow Connector

Up to 24kV



The Elastimold® ESE2 Elbow Connector is a fully-rated up to 24kV, 250A Class Deadbreak connector. It has a standard A interface for connecting up to 24kV, 250A Deadbreak bushing inserts, junctions and other accessories. The ESE2 is equipped with an integral voltage test point.

### Features and benefits

- Up to 24kV, 250A Deadbreak Elbow
- Fully shielded, fully submersible molded rubber housing
- 100% peroxide-cured construction includes insulation and conductive EPDM materials
- Provision for ground wire connection
- Wide cable range with minimum number of sizes

### Applications

Medium voltage dead break applications up to 24kV and 250A using EN50180 & EN50181 Interface A.

### Materials

100% peroxide-cured EPDM.

### Ratings

Meets IEC 60502-4, CENELEC HD 629.1 S3

$U_0/U(U_m)$

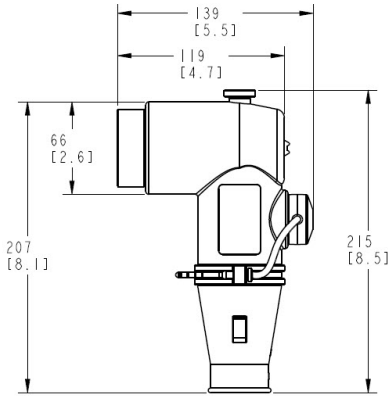
### For 6.35/11(12)kV Voltage Class:

6.35kV Phase-to-Ground  $U_0$  – Operating Voltage  
 11kV Phase-to-Phase U  
 95kV BIL – Impulse Withstand (1.2 x 50 microsecond wave)  
 28.5kV AC – Five minute withstand  
 Max 10 pC at 12.5 kV  
 250A – Continuous

### For 12/20(24)kV Voltage Class:

12kV Phase-to-Ground  $U_0$  – Operating Voltage  
 20kV Phase-to-Phase U  
 125kV BIL – Impulse Withstand (1.2 x 50 microsecond wave)  
 54kV AC – Five minute withstand  
 Max 10 pC at 24kV  
 250A – Continuous

**Interface A:** EN50180 and EN50181



Voltage Class	Certified Cable Conductor Size MIN
12kV	16 mm <sup>2</sup>
24kV	35 mm <sup>2</sup>

#### Part Number Selection

1. Determine Umax needed.
2. Choose code relevant to cable size (mm<sup>2</sup>).
3. Choose code for armor type.
4. Choose the correct code for the cable adapter being used.
5. Choose Differentiator code if applicable.

#### Example:

The ordering number for an Elbow Connector with 24kV Umax, 150 mm<sup>2</sup>, unarmored, with J cable adapter, and AA as differentiator is ESE25JAJ(AA through ZZ if applicable). Cable adapter selection is determined based on the insulation diameter of the cable.

Umax	
Code	Type
5	Up to 24kV

Cable Conductor MAX mm <sup>2</sup> Code	
Code	mm <sup>2</sup>
J	150

Cable Type Code	
Code	Type
A	Unarmored

Cable Adapter Code	
Code	Cable Adapter
Letters A through Z	

Differentiator (if applicable)	
Code	Phases
Letters AA through ZZ	

Cable Adapter	Cable Insulation Diameter mm		Cable Insulation Diameter Inches	
	MIN	MAX	MIN	MAX
E	13.46	17.27	0.53	0.68
F	16.26	20.83	0.64	0.82
G	19.30	24.13	0.76	0.95
H	21.59	26.67	0.85	1.05
J	24.89	29.97	0.98	1.18

ESE2	Umax	Cable Conductor MAX mm <sup>2</sup> Code	Cable Type Code	Cable Adapter Code	Differentiator Code (if applicable)
------	------	--	-----------------	--------------------	-------------------------------------

We reserve the right to make technical changes or modify the contents of this document without prior notice. With regard to purchase orders, the agreed particulars shall prevail. ABB does not accept any responsibility whatsoever for potential errors or possible lack of information in this document.

We reserve all rights in this document and in the subject matter and illustrations contained therein. Any reproduction - in whole or in part - is forbidden without prior written consent of ABB. © 2024 ABB Installation Products Inc. and/or its related companies. All Rights Reserved.

**The 1 Phase kit contains the following**

\*: Last letter in part number corresponds to cable adapter size.

Example of F size Cable Adapter:

ESX6-MAAF

\*\* : Connector should be sized accordingly as shown in Cable Conductor

MAX mm<sup>2</sup> Code table page 2

1 Phase kit		
Quantity	Description	Part #
1	250A Insulated elbow	ESE2-MIB1
1	VD Cap	ESX1-MTC1
1	Cleaning Cloth	ECX1-CCL1
1	Earthing Wire Assembly	ESX1-GKA1
1	Bailing Plate Bent	ESE2-CBP1
2	Hook Bolt M4	ESX2-CBH1
2	Wing Nut M4 DIN125A A2	ESX2-CBN1
2	Compound Lube	82-08
1	Shearbolt Contact 250A Elbow	ESE2-CSBA**
1	Cable Adapter 250A Size	ESX2-MAAF*
2	Gloves	ECX1-GLO1
1	PVC Tape	ECX1-PTA1
1	Abrasive Paper	ECX1-APA1
1	Instruction Sheet 250A	ESX2-CUM1
1	Mastic Tape	ECX1-MTA1/2
1	Bleeder Line	ECX1-BLN1
1	Cold Shrink Tube 1/2	ECX1-CST1/2
1	Screen Wire Lug 12mm Hole	ECX1-GWL1
1	Male Contact Pin 250A Elbow	ESE2-CCP1
2	Washer M4 DIN125A A2	ESX1-CWA1