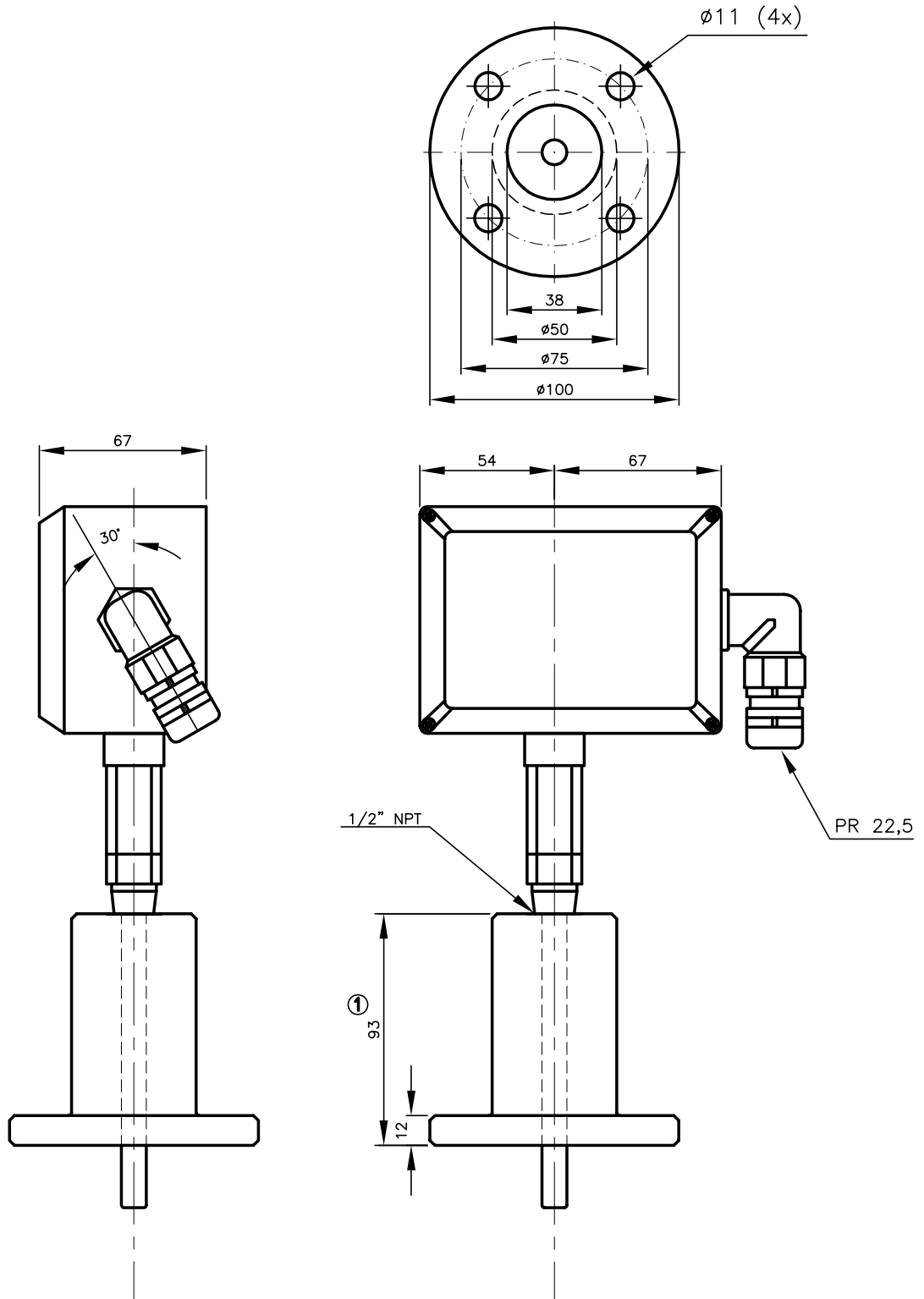


We reserve all rights in this document and in the information contained therein. Reproduction, use or disclosure to third parties without express authority is strictly forbidden.  
© ABB '99



Drawn by	Form No.	Sheet	
	Design checked by	Year	Week

1	93 was/var 103.	HO	04	12
Rev Ind	Revision	Appd	Year	Week

Accepted by qual control      Accepted for prod by

Design checked by      Drawn by  
M-L Eriksson      HO

Drawing checked by      Issued by Dept Year Week  
M-L Eriksson      COM/TK 03 20



Asea Brown Boveri

Description (English)  
THERMOSWITCH WITH HOUSING UZ      DATAORIGINAL

Description (own language)  
TERMOKONTAKT MED HUS UZ      File name  
0083-35

Lang      Sheet  
1

RevInd      Cont  
1      -

5492 0083-35