

# XSL5

## HID Series

Your go-to versatile explosion-proof lighting fixture, ideal for use in marine and wet locations, and a variety of hazardous areas.



### CERTIFICATIONS



UL844  
UL1598A

Outdoor wet locations  
Temperature range: -30 °C to 40 °C

### CLASSIFICATION

<b>CLASS I</b>	
Division 1	Groups C, D
Division 2	Groups A, B, C, D
Zone 1	Groups IIC, IIB, IIA
<b>CLASS II</b>	
Division 1	Groups E, F, G
Division 2	Groups E, F, G

Classification may vary upon light source and wattage. For details, see thermal performance chart on p. 30-31.

### Applications

- Chemical plants
- Oil refineries
- Waste treatment facilities
- Automotive manufacturing plants
- Paint manufacturing facilities
- Paint spray locations
- Chemical & plastic mixing and storage areas
- Pipeline pumping stations
- Oil and gas terminals
- Defense and government facilities

## XSL5

### Key features and benefits

#### Features

- UL® Listed for Class I, Division 1 for safe, explosion-proof application in a variety of hazardous areas
- Factory-sealed assembly meets code requirements without the need for external sealing fittings
- Dual-pitch Acme threads make assembly easy and faster than designs with standard V-cut threads, greatly reducing the risk of cross threading
- Factory-wired connection block means ballast is pre-wired to lower half of electrical connection block, allowing wireless connection of ballast housing to mounting module
- Five mounting styles – pendant, ceiling, wall, angle stanchion and bulkhead – provide versatility for installation
- Thermal shock-resistant glass globes are factory assembled and pre-tested to ensure the highest quality and safety
- Die-cast aluminum guards are epoxy powder coated for corrosion resistance and have keyhole slots for easy attachment to stainless steel screws
- High-pressure sodium in wattages from 50 to 400 watts
- Polymeric reflectors are available in standard dome and 30° angle versions
- UL paint spray listed in wattages up to 100 watts

#### Applications

Chemical plants
Oil refineries
Waste treatment facilities
Automotive manufacturing plants
Paint manufacturing facilities
Paint spray locations
Chemical and plastic mixing and storage areas
Pipeline pumping stations
Oil and gas terminals
Defense and government facilities

#### Wattages and voltages

- High-pressure sodium: 50–400 watts
- All luminaires: multi-tap standard (120, 208, 240, 277 V), wired 120 V (other voltages, frequencies available)

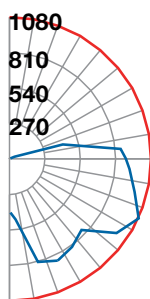
#### Materials and finishes

- Ballast housing: copper-free aluminum, powder finish
- Mounting modules: copper-free aluminum, powder finish
- Hardware: stainless steel
- Globes: tempered glass
- Guard: copper-free aluminum, powder finish
- Reflectors: fiberglass-reinforced

## Ceiling mount photometry

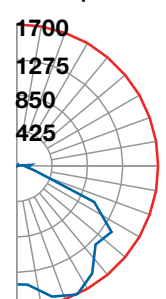
Reference data	
Catalog number	XSL5SO10H04G-C2-E
Lamp	100W HPS ED23 1/2
Lamp lumens	9500
Input watts	130
Luminaire lumens	7162
Efficiency	75%
Efficacy rating (LER)	55.1
Spacing criterion (0–180)	2.66
Spacing criterion (90–270)	2.66
Spacing criterion (diagonal)	2.74

#### Candlepower curve



Reference data	
Catalog number	XSL5SO10H04G-C2-E + VR31P
Lamp	100W HPS ED23 1/2
Lamp lumens	9500
Input watts	130
Luminaire lumens	6254
Efficiency	66%
Efficacy rating (LER)	48.1
Spacing criterion (0–180)	1.60
Spacing criterion (90–270)	1.60
Spacing criterion (diagonal)	1.70

#### Candlepower curve



## XSL5

### Fixture assembly guide

# 1

#### Mounting style



Pendant mount



Stanchion mount



Ceiling mount



Wall mount



Bulkhead mount

# 2

#### Globe assemblies



Up to 150 HPS



250 HPS and 400 HPS

# 3

#### Guards

Cast guard  
for 150 HPSCast guard  
for 250 HPS

# 4

#### Optional reflectors (sold separately)



Standard dome



30° Angle reflector

### Individual components

#### Mounting options

Part number	Description	Conduit hub size
XP2	Pendant mount	¾"
XP3	Pendant mount	1"
XS4	Stanchion mount	1¼"
XS5	Stanchion mount	1½"
XC2	Ceiling mount	¾"
XC3	Ceiling mount	1"
XB2	Wall mount	¾"
XB3	Wall mount	1"
XJ2	Bulkead mount	¾"
XJ3	Bulkead mount	1"

#### Replacement globe assemblies<sup>1</sup>

Part number	Description
XGSA44	XSL5 replacement globe assembly – up to 150 HPS
XGSA44A	XSL5 replacement globe assembly – 250 HPS & 400 HPS

<sup>1</sup> For stainless steel inserts, please add "SI" to part no. (ex: XGSA44SI)

#### Guards

Part number	Description
XGU44	Cast aluminum guard
VGU31 <sup>2</sup>	Cast aluminum guard

<sup>2</sup> Used on all 400-watt fixtures and 250-watt HPS fixtures

#### Reflectors

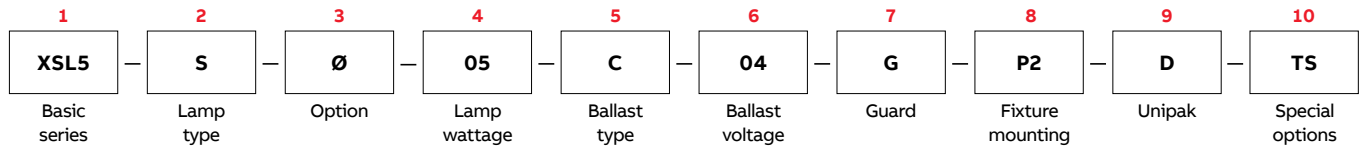
Part number	Description
VR31P	Standard dome, fiberglass-reinforced polyester
VRA31P	30° Angle reflector, fiberglass-reinforced polyester

Reflectors are shipped bulk unless specified.

## XSL5

### Numbering system

Unipak™ = Ballast tank + optics and mountings + options (if necessary)



#### Ballast tank

Part	Part number	Description
<b>1</b> Basic series	<b>XSL5</b>	XSL5 fixture
<b>2</b> Lamp type	<b>S</b>	High-pressure sodium
<b>3</b> Option	<b>∅</b>	Standard no option
	<b>Q</b>	Quartz lamp (100 W maximum) (Class I, Div. 2 only)
	<b>R</b>	HPS fixture provided with instant restart starter as opposed to conventional ignitor
<b>4</b> Lamp wattage	<b>05</b>	50 W HPS S68
	<b>07</b>	70 W HPS
	<b>10</b>	100 W HPS
	<b>15</b>	150 W HPS
	<b>25</b>	250 W HPS
	<b>40</b>	400 W HPS
<b>5</b> Ballast type	<b>C</b>	Constant wattage autotransformer
	<b>H</b>	High power factor
<b>6</b> Ballast voltage	<b>04</b>	120/208/240/277 V at 60 Hz
	<b>12</b>	120 V at 60 Hz
	<b>20</b>	208 V at 60 Hz
	<b>24</b>	240 V at 60 Hz
	<b>27</b>	277 Volt, 60 Hz
	<b>34</b>	347 V at 60 Hz
	<b>48</b>	480 V at 60 Hz

#### Optics and mountings

Part	Part number	Description
<b>7</b> Guard	<b>G</b>	Cast globe guard
<b>8</b> Fixture mounting	<b>P2</b>	¾" Pendant
	<b>C3</b>	1" Ceiling
	<b>B4</b>	1¾" Wall
	<b>J5</b>	1½" Bulkhead
	<b>S</b>	Stanchion
<b>9</b> Unipak	<b>D</b>	Unipak with diffused lamp
	<b>E</b>	Unipak with clear lamp
	<b>U</b>	Unipak no lamp

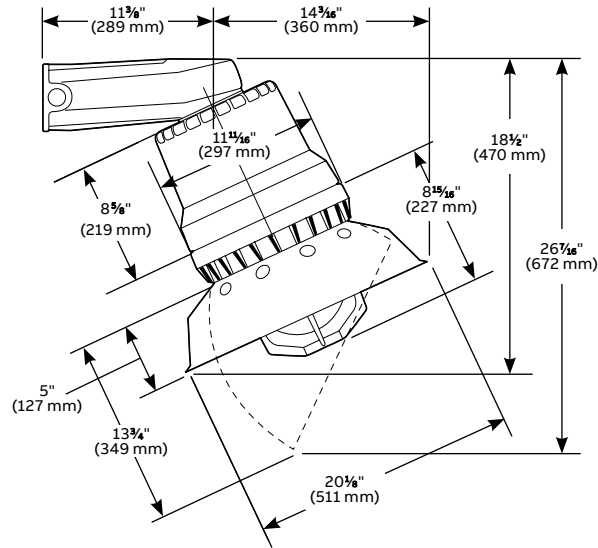
#### Options

Part	Part number	Description
<b>10</b> Special options	<b>PS</b>	Paint spray label (100W max)
	<b>TS</b>	Silicon coated tempered glass globe

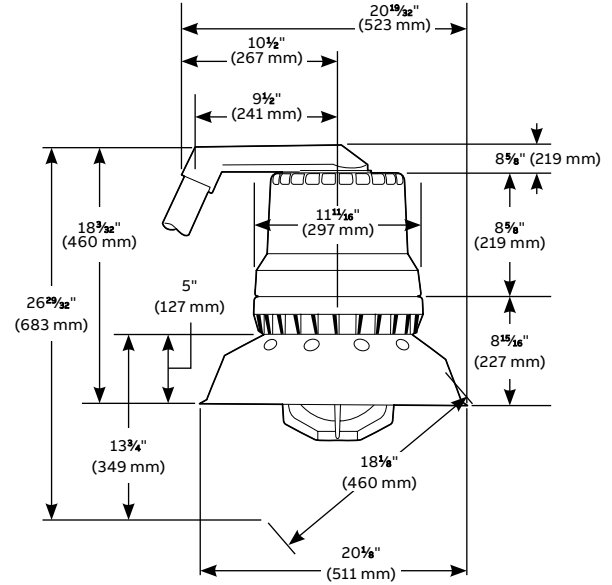
# XSL5

## Dimensions

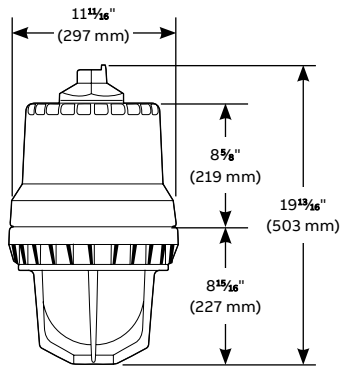
**Bulkhead mount with globe, guard and reflector**



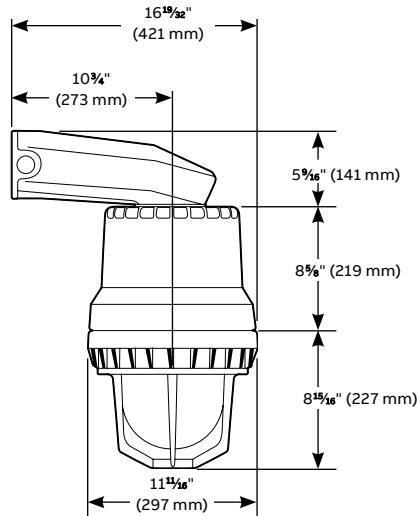
**Stanchion mount with globe, guard and reflector**



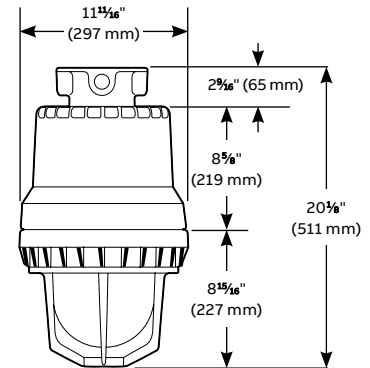
**Pendant mount with globe and guard**



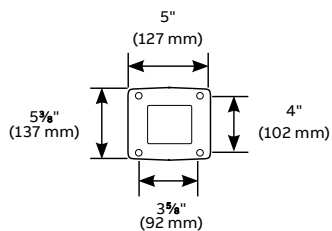
**Wall mount with globe and guard**



**Ceiling mount with globe and guard**



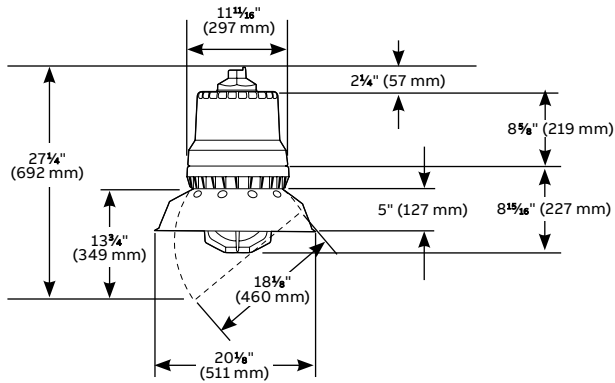
**Template for bulkhead for wall mount**



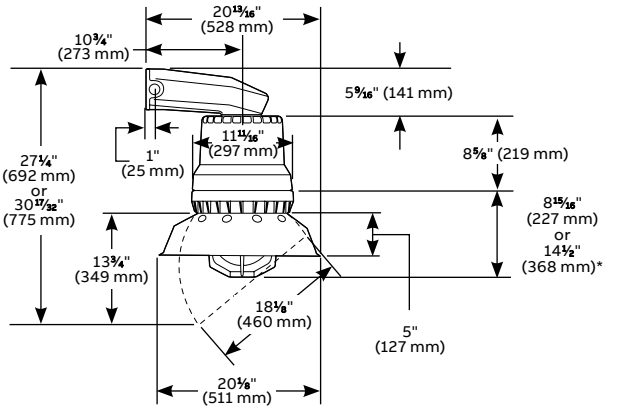
# XSL5

## Dimensions

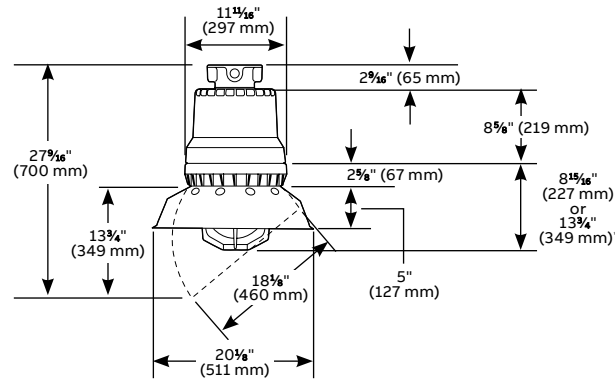
**Pendant mount with globe, guard and reflector**



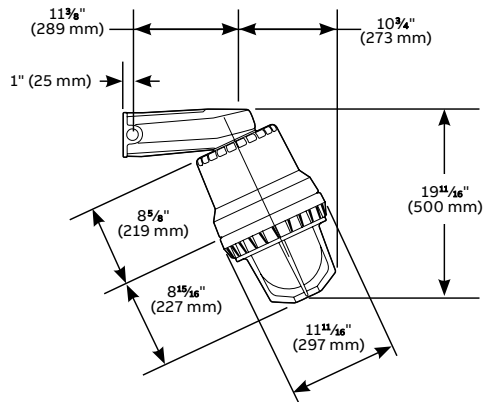
**Wall mount with globe, guard and reflector**



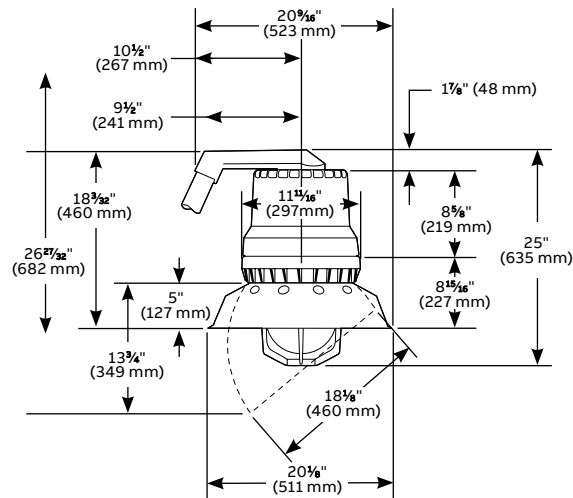
**Ceiling mount with globe, guard and reflector**



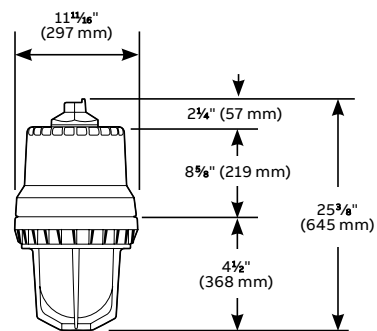
**Bulkhead mount with globe and guard**



**Stanchion mount with globe, guard and reflector**



**Pendant mount with globe and guard**



## XSL5

### Thermal performance data

Class I, Division 1, Group C & D – Maximum external fixture temperature in °C at 40°C | ambient in free air

High pressure sodium / nameplate marked with rating based on hottest fixture congestion									
Configuration		50 W (S68 lamp)		70 W (S62 lamp)		100 W (S54 lamp)		150 W (S55 or S56 lamp)	
		Lamp	Lamp w/ auxiliary qtz.	Lamp	Lamp w/ auxiliary qtz.	Lamp	Lamp w/ auxiliary qtz.	lamp	Lamp w/ auxiliary qtz.
			T no.		T no.		T no.		T no.
Globe and guard	A	T6	T4A	T6	T4A	T5	T4	T4	T4A
Globe, guard and dome reflector	B	T6	T4A	T6	T4A	T5	T4	T4	T3C
Globe, guard and angle reflector	C	T6	T4A	T6	T4A	T5	T3C	T4	T3C

Class II & III\*, Division 1 & 2 – Maximum external fixture temperature in °C at 40°C | ambient in free air

High pressure sodium / nameplate marked with rating based on hottest fixture congestion									
Configuration		50 W (S68 lamp)		70 W (S62 lamp)		100 W (S54 lamp)		150 W (S55 or S56 lamp)	
		Lamp	Lamp w/ auxiliary qtz.	Lamp	Lamp w/ auxiliary qtz.	Lamp	Lamp w/ auxiliary qtz.	Lamp	Lamp w/ auxiliary qtz.
			Class II groups		Class II groups		Class II groups		Class II groups
Globe and guard	A	EFG	EFG	EFG	EFG	EFG	EF	EFG	EF
Globe, guard and dome reflector	B	EFG	EFG	EFG	EFG	EFG	EF	EFG	EF
Globe, guard and angle reflector	C	EFG	EFG	EFG	EFG	EFG	EF	EFG	EF

Class I, Division 1, Group C & D – Maximum external fixture temperature in °C at 55°C | ambient in free air

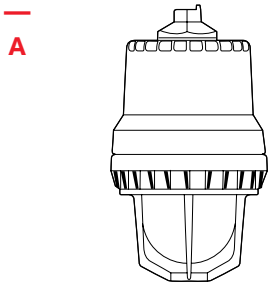
High pressure sodium / nameplate marked with rating based on hottest fixture congestion									
Configuration		50 W (S68 lamp)		70 W (S62 lamp)		100 W (S54 lamp)		150 W (S55 or S56 lamp)	
		Lamp	Lamp w/ auxiliary qtz.	Lamp	Lamp w/ auxiliary qtz.	Lamp	Lamp w/ auxiliary qtz.	Lamp	Lamp w/ auxiliary qtz.
			T no.		T no.		T no.		T no.
Globe and guard	A	T6	T4	T5	T4	T5	T4A	–	T4A
Globe, guard and dome reflector	B	T6	T4	T5	T4	T5	T4A	–	T4A
Globe, guard and angle reflector	C	T6	T4	T5	T4	T5	T4A	–	T4A

# XSL5

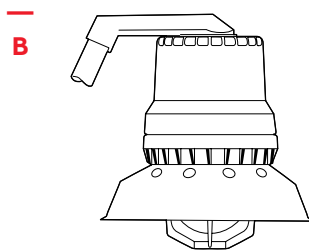
## Thermal performance data

Class I, Division 1, Group C & D – Maximum external fixture temperature in °C at 65 °C | ambient in free air

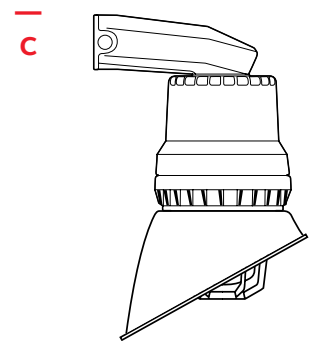
Configuration	High pressure sodium / nameplate marked with rating based on hottest fixture congestion						
	50 W (S68 lamp)		70 W (S62 lamp)		100 W (S54 lamp)		
	Lamp	Lamp w/ auxiliary qtz.	Lamp	Lamp w/ auxiliary qtz.	Lamp	Lamp w/ auxiliary qtz.	
	T no.	T no.	T no.	T no.	T no.	T no.	
Globe and guard	A	T5	-	T4A	-	T4A	-
Globe, guard and dome reflector	B	T5	-	T4A	-	T4A	-
Globe, guard and angle reflector	C	T5	-	T4A	-	T4A	-



Globe and guard



Globe, guard and dome reflector



Globe, guard and angle reflector

### Thermal data

Lamp type	Ambient temperature (°C)	Groups	Class I	
			Temp. code	Supply wire suitable temperature (°C)
250 Watt HPS type S50	40	C, D	T4A	85
400 Watt HPS type S51	40	C, D	T4A	85

