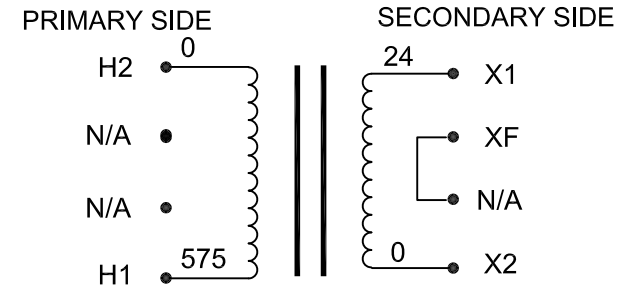


TRANSFORMER SPECIFICATIONS	
PRIMARY VOLTAGE(S)	575
SECONDARY VOLTAGE(S)	24
RATED V.A.	45
RATED FREQUENCY	50/60
INSULATION CLASS	105
AGENCY APPROVALS	UL, CUL
ESTIMATED WEIGHT	2.6 LBS

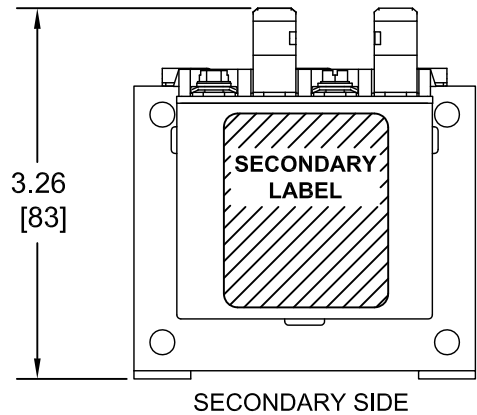


SEC.FUSECLIPS INTERNALLY JUMPERED

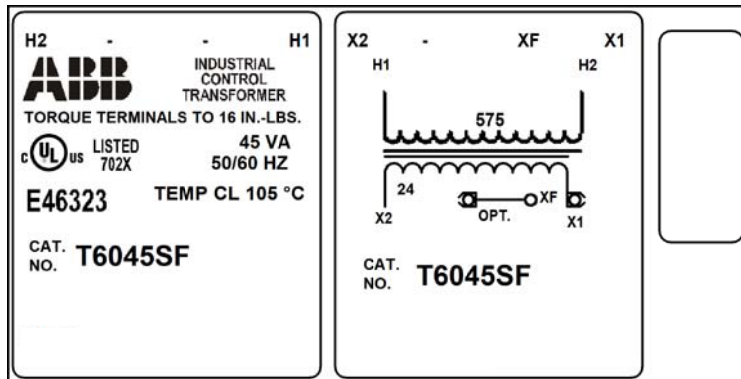
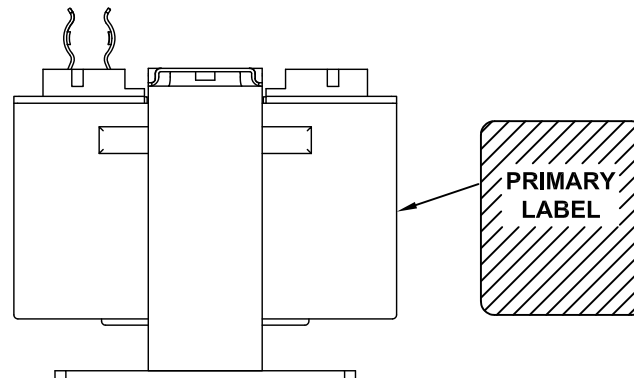
**CONNECTION DIAGRAM**

**NOTES:**

1. ALL MEASUREMENTS IN INCHES (MM)
2. TERMINAL SCREWS ARE COMBO #8-32 PHIL-SLOT-1/4" HEX WITH SEMS WASHER.
3. SECONDARY FUSE CLIP ACCOMMODATES ONE 13/32" X 1-1/2" MIDGET FUSE.



SECONDARY SIDE      PRIMARY SIDE



**PACKAGED ACCESSORIES**

1	
-	-
<b>ABB</b>	
DATE 4/21/20	DRAWN J.G.V
RELEASE DATE	CHECKED
1TQY200060X0004	
SIZE C	SCALE NONE
<b>T6045SF</b>	

REV	DESCRIPTION	DATE	BY	DATE
A	I3 CONSTRUCTION	4/21/20	JW	
ECL	REVISIONS			