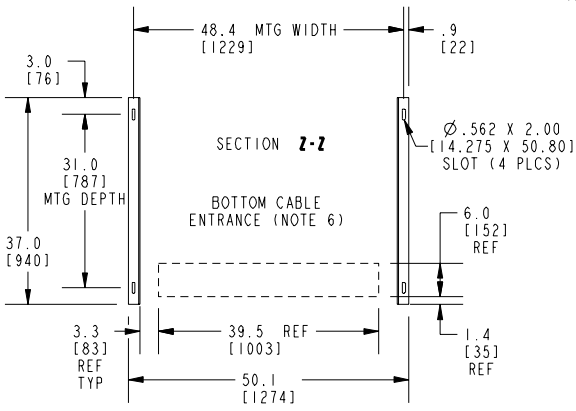
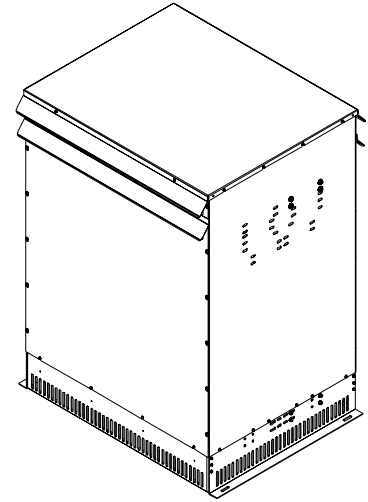
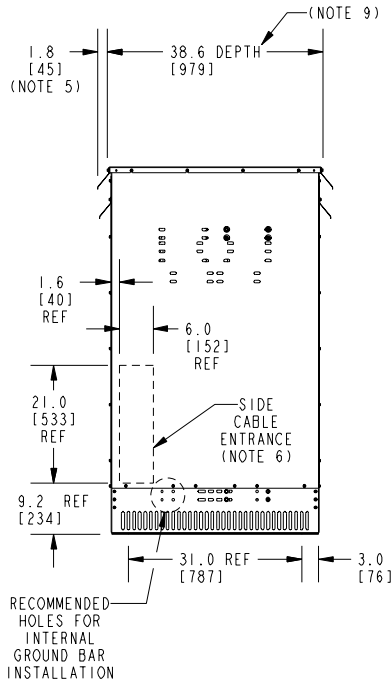
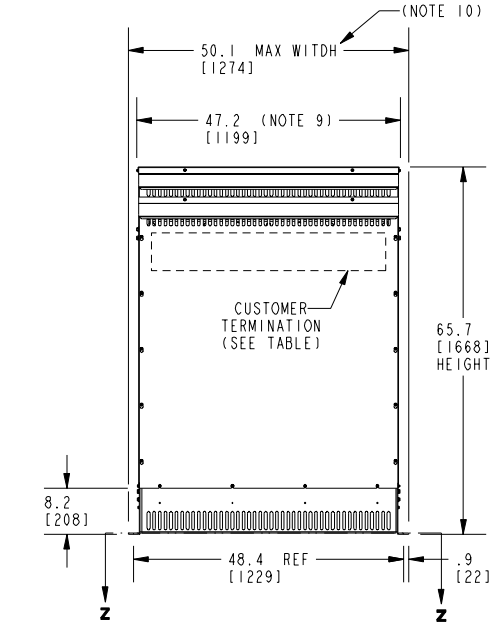


**FRONT VIEW**

**SIDE VIEW**

**ISOMETRIC VIEW**



**BOTTOM VIEW OF MOUNTING HOLE PATTERN**

CUSTOMER TERMINATION				
STEP DOWN UNIT	STEP UP UNIT	CONNECTION TYPE	HOLE SIZE	HOLE QTY
PRIMARY BUS BARS	SECONDARY BUS BARS	STANDARD BUS BAR (LUGS ARE OPTIONAL)	.56 [14.2] DIA	4 PER BUS BAR
SECONDARY BUS BARS	PRIMARY BUS BARS			6 PER BUS BAR

**APPROX TOTAL WEIGHT LBS [KG]**  
**PAINTED: 2713 [1231]**

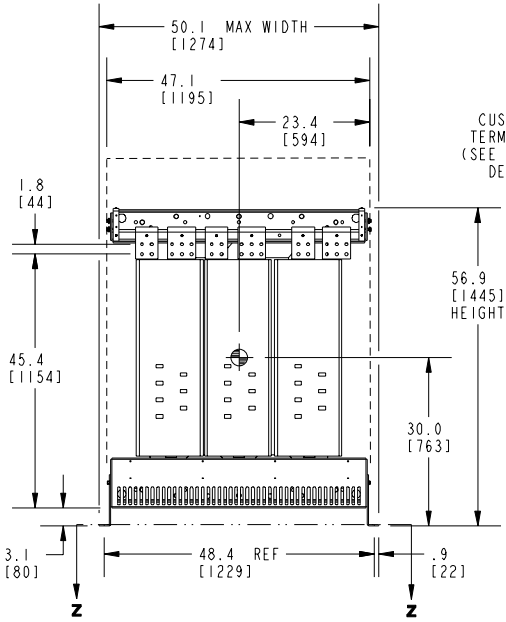
**kVA RATING:**  
**K-FACTOR:**  
**PRI VOLTAGE:**  
**SEC VOLTAGE:**  
**FREQ (Hz):**  
**TEMP RISE:**  
**WINDING MATL:**  
**ES SHIELD:**  
**SOUND LVL (dB):**

**NOTES:**

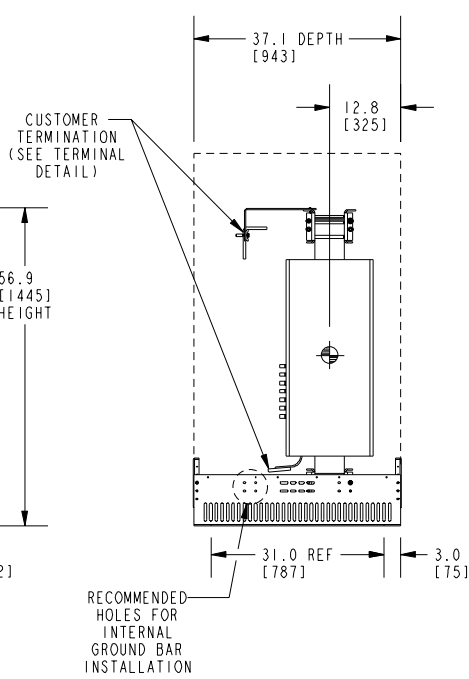
- 1) ALL UNITS ARE UL LISTED AND ARE DESIGNED PER NEMA ST-20 STANDARDS.
- 2) THE TEMPERATURE RISE LISTED IS DETERMINED WHEN THE TRANSFORMER IS MOUNTED IN A STANDARD NEMA-2 ENCLOSURE.
- 3) TRANSFORMER IS DESIGNED FOR FLOOR MOUNTING. OPTIONAL WALL MOUNTING BRACKETS ARE NOT AVAILABLE FOR THIS DESIGN/STYLE.
- 4) TRANSFORMERS ARE DRY TYPE, CLASS AA, WITH VENTILATED ENCLOSURES FOR INDOOR USE. OPTIONAL RAIN SHIELD KITS ARE AVAILABLE TO ADAPT ALL SIZES FOR TYPE 3R OUTDOOR USE WITHOUT VOIDING THE WARRANTY.
- 5) APPLICABLE WHEN OPTIONAL RAIN SHIELDS ARE INSTALLED. RAIN SHIELDS ARE SHIPPED IN KITS FOR FIELD INSTALLATION.
- 6) CABLE ENTRANCE IS PERMITTED THROUGH THE LEFT SIDE, RIGHT SIDE AND/OR BOTTOM ENTRANCE ONLY. CABLE ENTRANCE IS NOT PERMITTED THROUGH THE FRONT, REAR OR TOP PANELS.
- 7) FOR MOVING THE UNIT WITH A PALLET JACK OR FORK TRUCK, INSERT FORKS COMPLETELY UNDERNEATH BOTH FRONT AND REAR LIFTING GRILLS. FOR CRANE LIFTING USE 1" [25 MM] DIAMETER HOLES IN THE TOP CORE CLAMPS.
- 8) ENCLOSURE PAINT COLOR IS ANSI #61 GRAY.
- 9) 6" [152 MM] MINIMUM CLEARANCE IS REQUIRED FROM ALL WALLS.
- 10) USE THIS DIMENSION WHEN PLANNING THE MOUNTING PAD.

<b>JOB NAME:</b>	UNLESS OTHERWISE SPECIFIED ALL DIMENSIONS ARE INCH [MM]	<b>ABB</b>	
	THIRD ANGLE PROJECTION 		
<a href="http://electrification.us.abb.com">electrification.us.abb.com</a>	SHEET 1 OF 2	CATALOG #	REV <b>2</b>
CAD DRAWING: 303B112GEDYP79A			

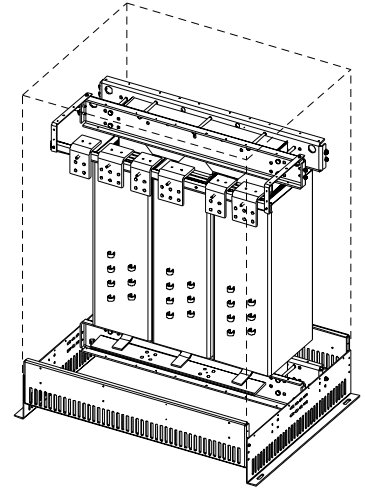
**FRONT VIEW**



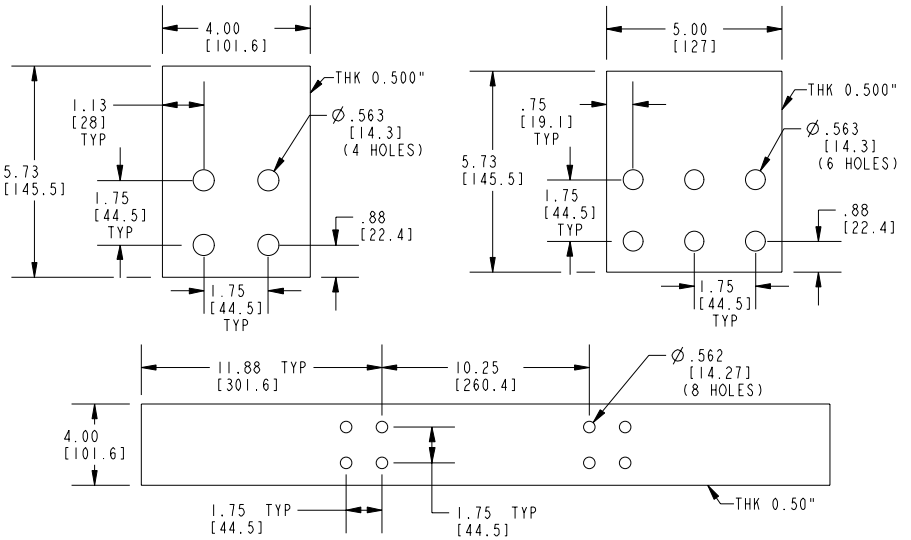
**SIDE VIEW**



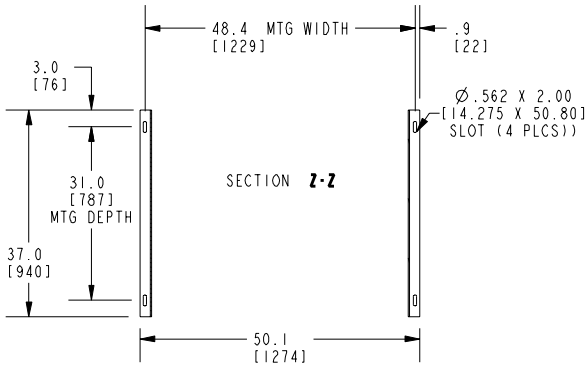
**ISOMETRIC VIEW**



**TERMINAL DETAIL**



CONNECTION TYPE: STANDARD BUS BAR (LUGS ARE OPTIONAL).



**BOTTOM VIEW OF MOUNTING HOLE PATTERN**

**APPROX TOTAL WEIGHT LBS [KG]**  
**PAINTED: 2713 [1231]**

**kVA RATING:**  
**K-FACTOR:**  
**PRI VOLTAGE:**  
**SEC VOLTAGE:**  
**FREQ (Hz):**  
**TEMP RISE:**  
**WINDING MATL:**  
**ES SHIELD:**  
**SOUND LVL (dB):**

**NOTES:**

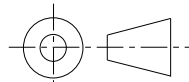
- 1) ALL UNITS ARE UL LISTED AND ARE DESIGNED PER NEMA ST-20 STANDARDS.
- 2) THE TEMPERATURE RISE LISTED IS DETERMINED WHEN THE TRANSFORMER IS MOUNTED IN A STANDARD NEMA-2 ENCLOSURE.
- 3) TRANSFORMER IS DESIGNED FOR FLOOR MOUNTING. OPTIONAL WALL MOUNTING BRACKETS ARE NOT AVAILABLE FOR THIS DESIGN/STYLE.
- 4) TRANSFORMERS ARE DRY TYPE, CLASS AA FOR INDOOR USE.
- 5) FOR MOVING THE UNIT WITH A PALLET JACK OR FORK TRUCK, INSERT FORKS COMPLETELY UNDERNEATH BOTH FRONT AND REAR LIFTING GRILLS. FOR CRANE LIFTING USE 1" [25 MM] DIAMETER HOLES IN THE TOP CORE CLAMPS.
- 6) PAINTED GRILL AND MOUNTING BRACKET COLOR IS ANSI #61 GRAY.
- 7) 6" [152 MM] MINIMUM CLEARANCE IS REQUIRED FROM ALL WALLS.
- 8) ⊕ INDICATES APPROXIMATE CENTER OF GRAVITY.

**JOB NAME:**

UNLESS OTHERWISE SPECIFIED  
 ALL DIMENSIONS ARE INCH [MM]



THIRD ANGLE PROJECTION



**DRY TYPE TRANSFORMER OUTLINE DRAWING**  
**TYPE QL, 3-PHASE, DOE 2016 EFFICIENCY**  
**(INTERNAL VIEW WITH MOUNTING BRACKETS)**

[electrification.us.abb.com](http://electrification.us.abb.com)

CAD DRAWING: 303B112GEDYP79A

SHEET 2 OF 2

CATALOG #

REV **2**