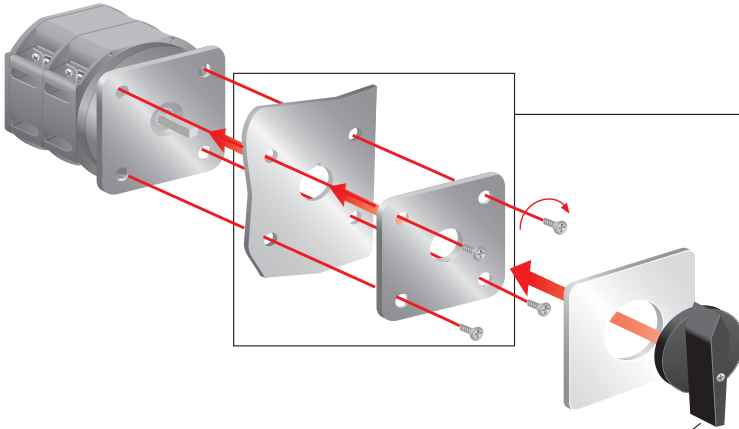


OL63-200 Door mounting

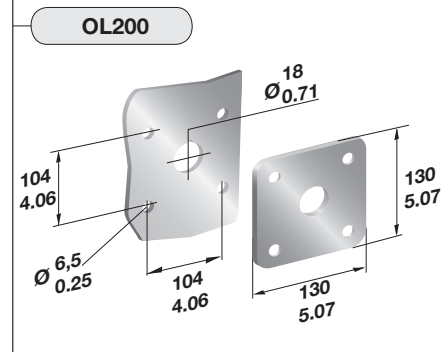
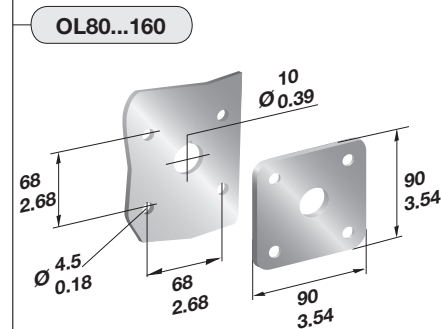
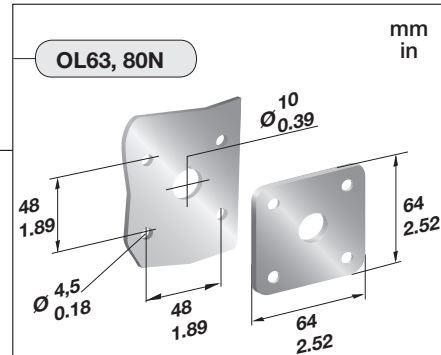
1SCC302008M0203

Document no. 34OL63-200 Door mounting C

OL63, 80N, 80, 125, 160, 200

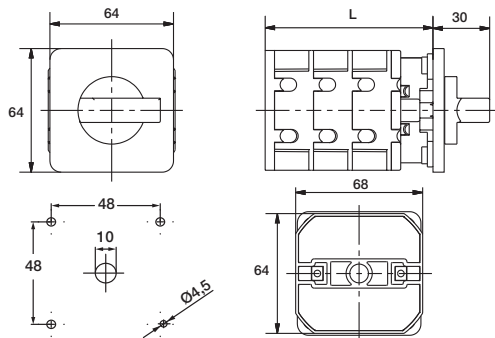


OL63	M5x10	2,0-2,5
OL80N	M5x10	2,0-2,5
OL80-160	2 x M5x18,5	3,2
OL200-250	M10x20*	6,0-7,0



OL63, 80N

mm

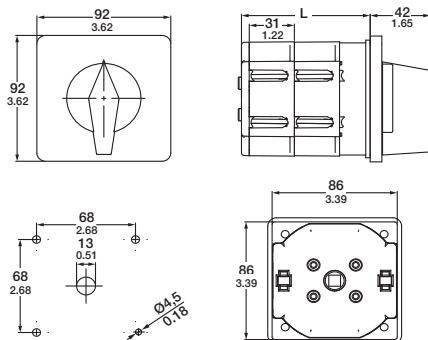


Number of contact chambers

mm	1	2	3	4	5	6	7	8	9	10
L	49	69,5	90	172	131	151,5	172	192,5	213	233,5

OL80, 125, 160

mm in

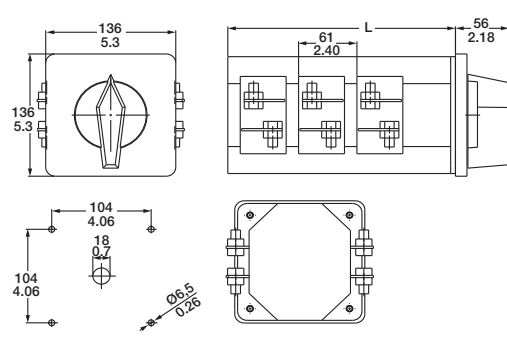


Number of contact chambers

	1	2	3	4	5	6	7	8	9	10
L mm	66	97	128	159	190	221	252	283	314	345
L in	2.60	3.82	4.99	6.2	7.41	8.62	9.83	11.04	12.25	13.5

OL200

mm in



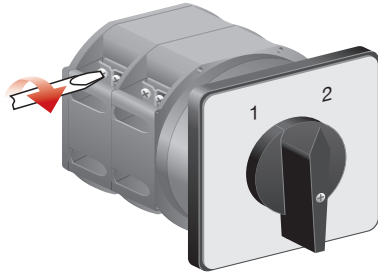
Number of contact chambers

	1	2	3	4	5	6	7	8	9	10
L mm	120	181	242	303	364	425	485	547	608	669
L in	4.68	7.06	9.44	11.82	14.2	16.6	18.92	21.33	23.71	26.09

For Use On A Flat Surface Of A Type 1 Enclosure.

OL63-200 Door Mounting

	Technical data				
	OL63	OL80	OL125	OL160	OL200
General use		80A, 600V ac	125A, 600V ac	160A, 600V ac	200A, 600V ac
Short circuit rating		10 000A, 600V ac	10 000A, 600V ac	10 000A, 600V ac	10 000A, 600V ac

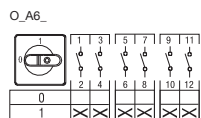
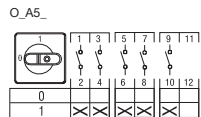
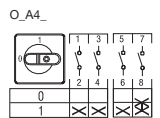
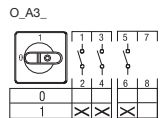
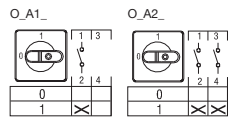


OL63...200

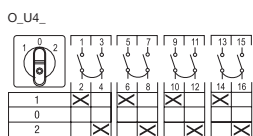
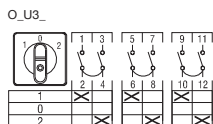
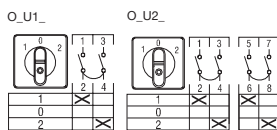
Suitable For Use On A Circuit Capable Of Delivering Not More Than 10 000 rms Symmetrical Amperes, 600 Volts Maximum.

Wire range	Cam Switch	Torque
10-6 AWG	OL63, OL80N	2,0-2,5Nm
12-2/0 AWG	OL80...OL160	3,2Nm
kcmil 300 AWG	OL200	6,0-7,0Nm

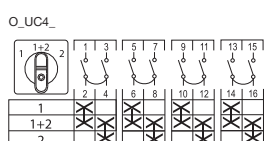
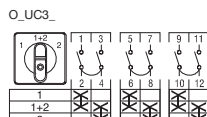
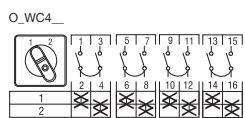
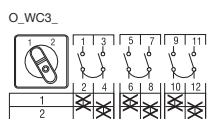
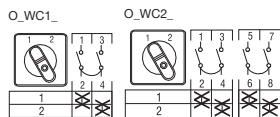
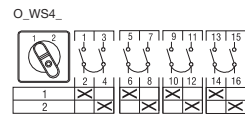
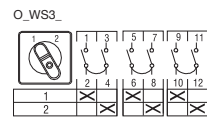
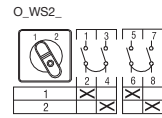
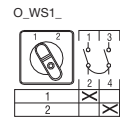
ON-OFF switches



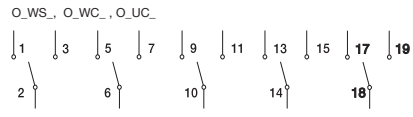
Change-over switches



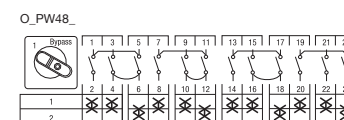
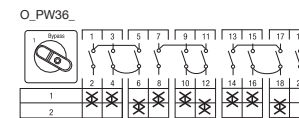
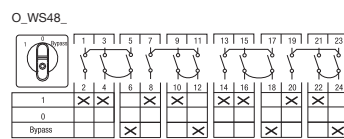
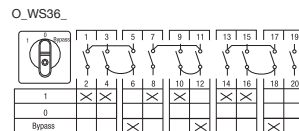
Change-over switches



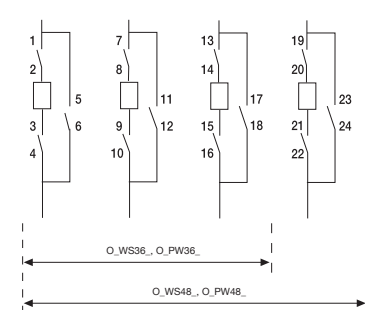
Wiring diagram, change-over switches



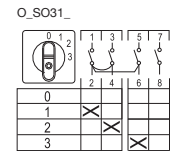
Bypass switches



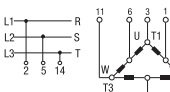
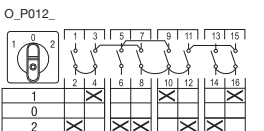
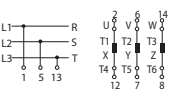
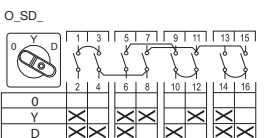
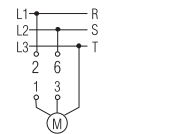
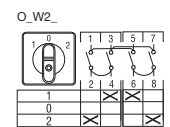
Wiring diagram, bypass switches



Multistep switches



Motor control switches



A04146