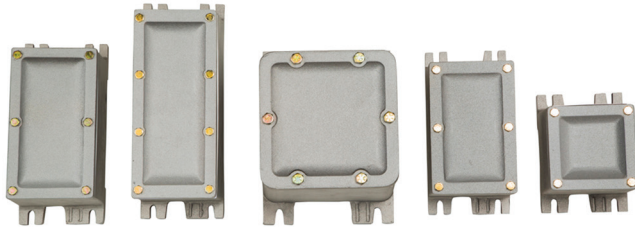

 TECHNICAL DATA SHEET

Explosionproof enclosures – XPCS series

Small cast aluminum control/junction box

T&B EX™


XPCS explosionproof bolted cover enclosures are designed to use as junction boxes or control stations. These enclosures can also be customized for smaller equipment with factory installed cover operator handles.

Certifications / Standards:


- In areas which are hazardous due to the presence of hazardous liquids, gases, vapors or dusts such as found in process industries, manufacturing plants, food processing, etc.

Features & Benefits:

- 13 standard sizes available
- NEMA 4 water tight gasket
- Wall mounting feet
- Can be used as control stations
- Internal/external grounding available

Options:

- Auxiliary handle operator Installations available
- Blind tapped holes for optional back panels
- Customer specified drilling & tapping
- Mounting panels - Available in galvanized steel (XPM) or aluminum (XPA)
- Installation of wiring and of terminal blocks and standard or miniature pilot devices

Applications:

- As a custom control station/panel, junction, or pull box
- To provide enclosures for splices and branch circuit taps
- For housing terminal blocks, relays and other electrical devices
- Use indoors or outdoors in damp, wet, dusty, corrosive and hazardous locations
- Where exposure to frequent or heavy rain, water, spray, moisture, and humidity is common, such as: petrochemical, offshore drilling facilities, cooling towers, coal preparation and handling facilities, food processing, coating, sewage and water treatment, chemical installations

Conforms to:

- Class I, Divisions 1 & 2, Groups C & D
- Class II, Divisions 1 & 2, Groups E, F, G
- Class III
- NEMA Type 4, 7, 9
- UL Standard 1203
- UL Standard 50.
- CSA C22.2 No. 25 & 30
- For IECEx and ATEX certifications, consult factory

Material / Materials / Finishes:

- Body and Cover - copper-free aluminum (3/10 of 1%)
- Gasket (O-ring type)- nitrile rubber
- Cover Bolts - Premium, high strength steel (zinc plated and coated)
- Back panel – XPM: 12 gauge galvanized steel (.108" thick),
- Back panel - XPA: 10 gauge aluminum (.100" thick)

Product selections, dimensions & weights

Part no:	Inside nom. (in)			Overall (in)			Mounting lug (in)		Mounting bolt (in)	Shipping weight (lbs)	XPM part no:	XPA part no:	Panel (in)	
	L	W	D	A	B	C	E	F					W	H
XPCS030303	3 ⁵ / ₁₆	3 ⁵ / ₁₆	3 ³ / ₁₆	4 ¹ / ₂	4 ¹ / ₂	4 ⁵ / ₁₆	3 ¹ / ₄	5 ¹ / ₂	5 ⁵ / ₁₆	5	XPM0303	XPA0303	3	3
XPCS030603	5 ³ / ₄	3 ³ / ₄	3	4 ¹ / ₂	7 ¹ / ₁₆	4 ¹ / ₄	3 ¹ / ₄	8	5 ⁵ / ₁₆	6 ¹ / ₂	XPM0306	XPA0306	3	5 ¹ / ₂
XPCS030703	6 ⁷ / ₈	3 ³ / ₄	3	4 ¹ / ₂	8 ³ / ₈	4 ⁵ / ₁₆	3 ⁵ / ₁₆	9	5 ⁵ / ₁₆	7 ¹ / ₂	XPM0307	XPA0307	3	6 ¹ / ₂
XPCS030903	8 ³ / ₁₆	3 ¹ / ₁₆	3	4 ¹ / ₂	10 ¹ / ₁₆	4 ⁵ / ₁₆	3 ¹ / ₄	11	5 ⁵ / ₁₆	9 ¹ / ₂	XPM0309	XPA0309	3	8 ¹ / ₂
XPCS031103	10 ¹ / ₁₆	3 ³ / ₄	3	4 ¹ / ₂	12	4 ⁵ / ₁₆	3 ¹ / ₄	13	5 ⁵ / ₁₆	11	XPM0311	XPA0311	3	10 ¹ / ₂
XPCS031303	12 ¹ / ₁₆	3 ³ / ₄	3	4 ¹ / ₂	14 ¹ / ₁₆	4 ⁵ / ₁₆	3 ¹ / ₄	15	5 ⁵ / ₁₆	11 ¹ / ₂	XPM0313	XPA0313	3	12 ¹ / ₂
XPCS031503	14 ³ / ₄	3 ³ / ₄	3 ⁵ / ₁₆	4 ¹ / ₂	16	4 ⁵ / ₁₆	3 ¹ / ₄	17	5 ⁵ / ₁₆	13	XPM0315	XPA0315	3	14 ¹ / ₂
XPCS040604	5 ⁷ / ₈	4 ¹ / ₈	4	5 ³ / ₈	7	5 ⁵ / ₁₆	4 ³ / ₈	8 ¹ / ₄	5 ⁵ / ₁₆	8 ¹ / ₂	XPM0406	XPA0406	3 ⁷ / ₈	5 ¹ / ₂
XPCS041204	11 ¹ / ₁₆	4 ¹ / ₄	4	5 ¹ / ₂	13 ³ / ₈	5 ⁵ / ₁₆	4 ³ / ₈	14 ¹ / ₄	5 ⁵ / ₁₆	15 ¹ / ₂	XPM0412	XPA0412	3 ⁷ / ₈	11 ¹ / ₂
XPCS060606	5 ¹ / ₂	5 ¹ / ₂	6	7	7	7 ³ / ₈	5 ¹ / ₂	8 ¹ / ₂	3 ³ / ₈	14	XPM0606	XPA0606	5 ¹ / ₂	5 ¹ / ₂
XPCS060608	5 ¹ / ₂	5 ¹ / ₄	8	7	7	9 ³ / ₈	5 ¹ / ₂	8 ¹ / ₂	3 ³ / ₈	17 ¹ / ₂	XPM0606	XPA0606	5 ¹ / ₂	5 ¹ / ₂
XPCS061206	11 ¹ / ₈	5 ¹ / ₄	6	7 ¹ / ₄	13 ¹ / ₂	7 ⁵ / ₈	5 ¹ / ₂	15	3 ³ / ₈	28	XPM0612	XPA0612	5 ¹ / ₂	11 ¹ / ₂
XPCS070704	6 ⁷ / ₈	6 ⁷ / ₈	4	7 ¹ / ₁₆	7 ¹ / ₁₆	5 ⁵ / ₁₆	6 ³ / ₈	9 ¹ / ₈	3 ³ / ₈	13	XPM0707	XPA0707	6 ¹ / ₂	6 ¹ / ₂

Note: Product must be installed in accordance with applicable national and local electrical codes.

Box layout:

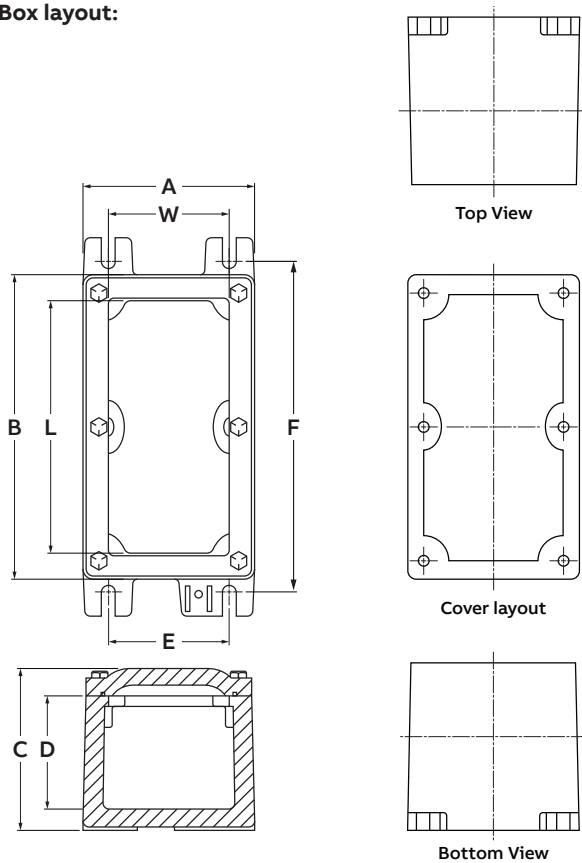


ABB Inc.
Electrification Products
Memphis, Tennessee
USA

We reserve the right to make technical changes or modify the contents of this document without prior notice. With regard to purchase orders, the agreed particulars shall prevail. ABB Inc. does not accept any responsibility whatsoever for potential errors or possible lack of information in this document.

We reserve all rights in this document and in the subject matter and illustrations contained therein. Any reproduction, disclosure to third parties or utilization of its contents – in whole or in parts – is forbidden without prior written consent of ABB Inc. Copyright© 2017 ABB Inc. All rights reserved