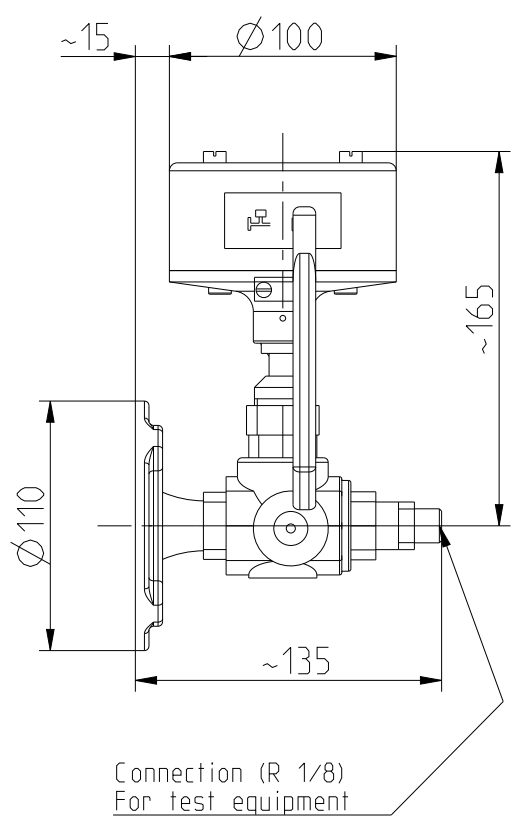
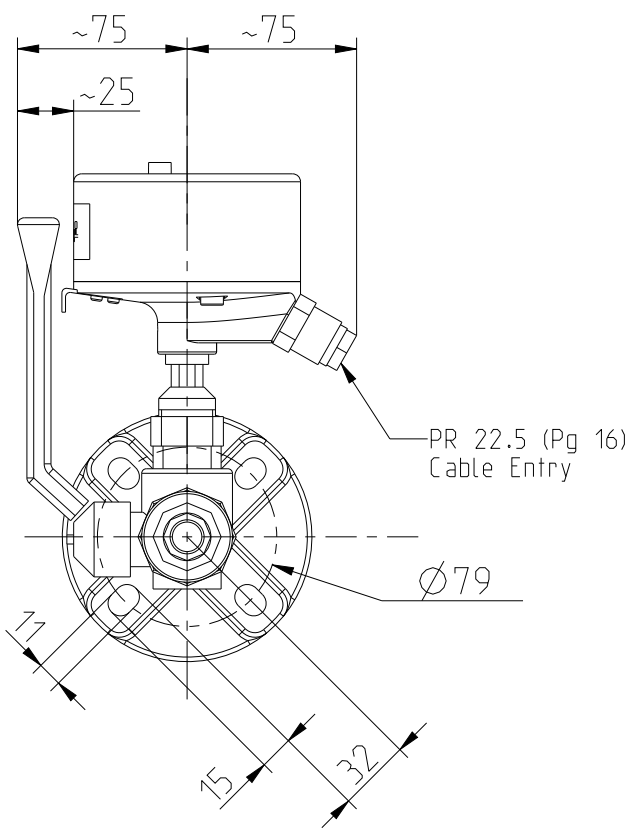
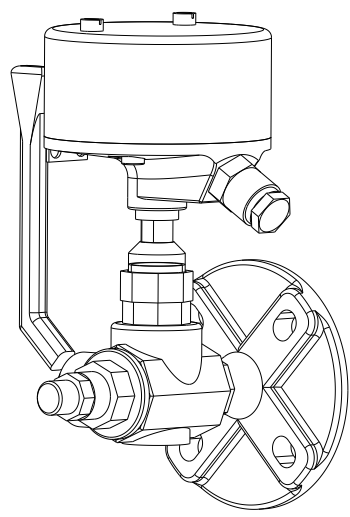
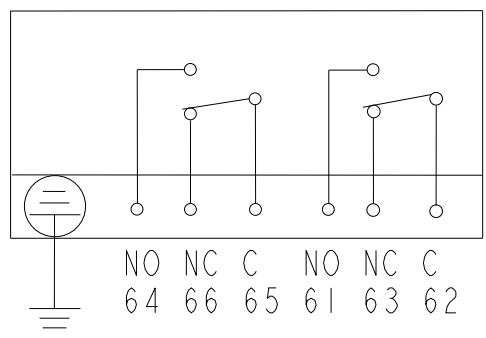


This document is issued by means of a computerized system. The digitally stored original is electronically approved. The approved document has a date entered in the "Approved"-field. A manual signature is not required.



Non pressurized state



We reserve all rights in this document and in the information contained therein. Reproduction, use or disclosure to third parties without express authority is strictly forbidden.

Approved 2018-02-02	Document Kind Assembly Drawing	Based on doc. id	Work order id	Project id
Company ABB Technology Ltd	Title, Supplementary title Pressure relay			
Responsible Department SEABB-9AAE300824	Tryckvakt			
ABB	Document id 54920083-2	Status Released	Revision A	Iteration Iteration
			Sheet 1/1	