



CATAMOUNT® WIRING DUCT

Practical wire management solutions designed for everyday panel applications

Catamount®

Across Canada, distributors support customers who require reliable, code-compliant solutions while managing cost pressure, availability, and inventory complexity. Catamount wiring duct is a value-engineered offering designed to cover the most common wiring duct applications with a streamlined, easy-to-stock range.

Catamount is designed to deliver the essential performance required for standard panel applications, while helping simplify quoting, stocking, and replenishment.

Typical Customers & Applications



Panel shops
and OEMs



Industrial
contractors



Maintenance and
retrofit projects

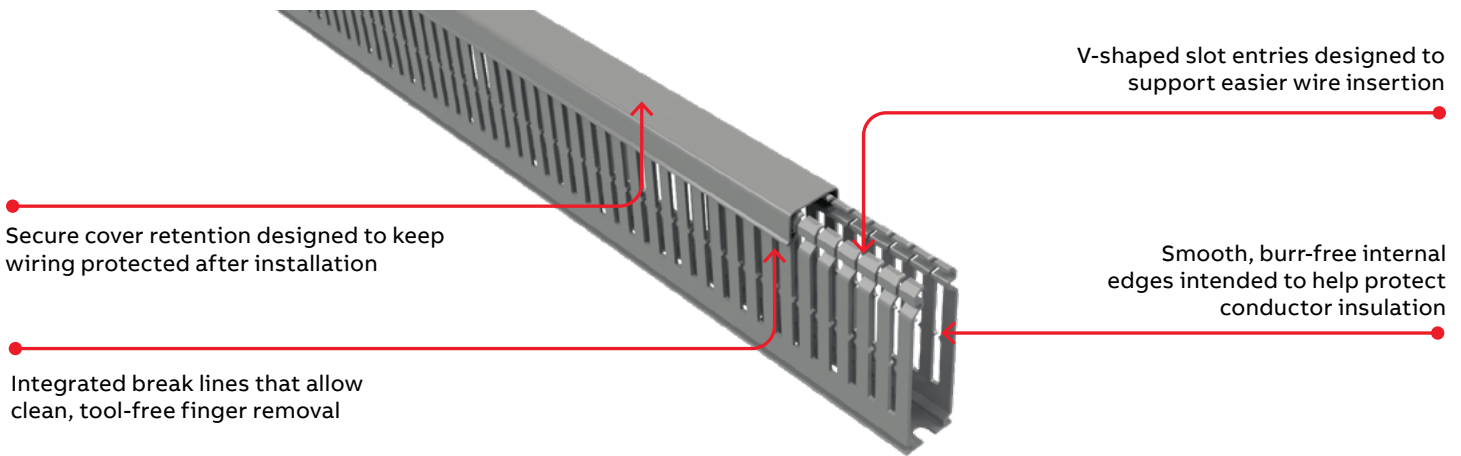


Standard,
cost-sensitive
applications

Simplified Ordering & Inventory

Catamount wiring duct is supplied with the duct and cover included under a single part number. This helps simplify ordering, reduce SKU complexity, and streamline inventory management for distributors supporting standard panel and OEM applications.

Product Highlights



Why Stock Catamount?

- Covers the most common panel applications
- Value-engineered offering designed for standard applications
- Backed by ABB engineering expertise and quality standards
- Designed to help simplify ordering and inventory management

Technical specifications

Specification	Details
Material	Flame-retardant, self-extinguishing PVC
Colour	RAL 7030 gray
Slot sizes	4/6 mm and 8/12 mm
Standard length	2 m
Certification	Designed to meet applicable CSA, UL 94 V-0, and IEC standards

—
ABB Installation Products Inc.
 700 Thomas avenue
 Saint-Jean-sur-Richelieu, Quebec
 J2X 2M9
 Tel.: 450-347-5318

tnb.ca.abb.com

© 2026 ABB. All rights reserved